



 LORENZOLINE

**84FD**

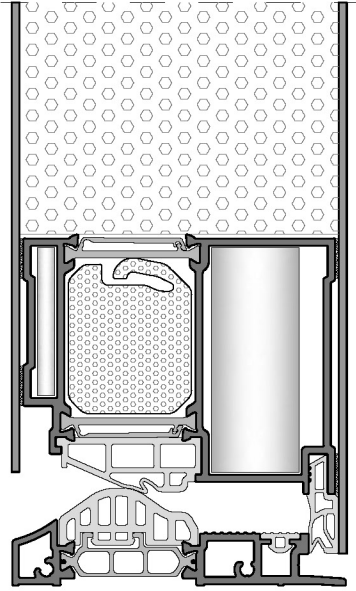
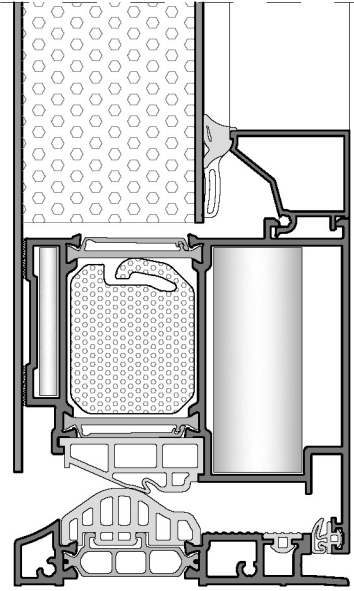
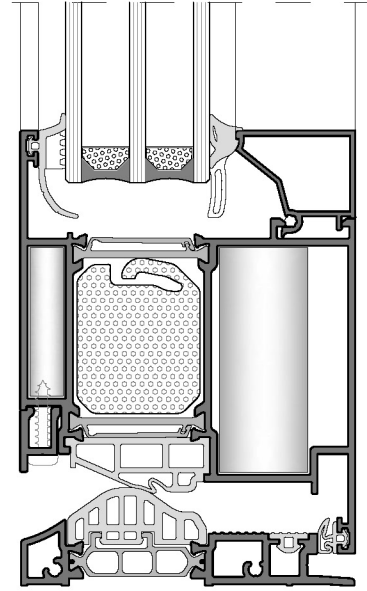
Door System | Kapı Sistemi

# INDEX

## İndeks

Technical Information   Teknik Bilgiler	1 - 3
Profile Index   Profil İndeks	4 - 5
Profiles   Profiller	6 - 17
Details   Detaylar	18 - 45
Glazing Tables   Cam Tabloları	46 - 47
Accessories   Aksesuarlar	48 - 58
Cutting Size   Kesim Ölçüleri	59 - 86
Assembly Details   Montaj Detayları	87 - 111

TECHNICAL INFORMATION  
TEKNİK BİLGİLER

**system properties | sistem bilgisi**
**Panel Door | Panel Kapı**

**Semi Panel Door | Yarı Panel Kapı**

**Door With Glass | Camlı Kapı**

**Technical Properties / Teknik Özellikler**

<b>FRAME DEPTH   KASA DERİNLİĞİ</b>	84 mm
<b>SASH DEPTH   KANAT DERİNLİĞİ</b>	84 mm
<b>WALL THICKNESS   ET KALINLIĞI</b>	1.8 - 2 mm
<b>GLASS THICKNESS   CAM KALINLIĞI</b>	28 - 68 mm
<b>THERMAL INSULATION   ISI BARIYERİ</b>	34 mm


**Opening Opportunities / Açılım Seçenekleri**

<b>ENTRY DOOR WITH INSULATION PANEL   PANEL GİRİŞ KAPISI</b>
<b>DOUBLE LEAF ENTRY DOOR WITH INSULATION PANEL   ÇİFT KANAT PANEL GİRİŞ KAPISI</b>
<b>ENTRY DOOR WITH INSULATION PANEL &amp; SIDE LIGHT   PANEL GİRİŞ KAPISI VE IŞIK BANDI</b>
<b>ENTRY DOOR WITH GLASS   CAMLI GİRİŞ KAPISI</b>
<b>DOUBLE LEAF DOOR WITH GLASS   ÇİFT KANAT CAMLI GİRİŞ KAPISI</b>
<b>ENTRY DOOR WITH GLASS &amp; SIDE LIGHT   CAMLI GİRİŞ KAPISI VE IŞIK BANDI</b>

**Performance Values / Performans Değerleri**

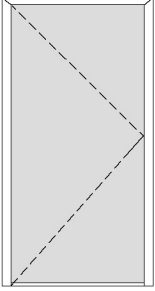
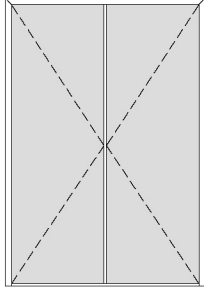
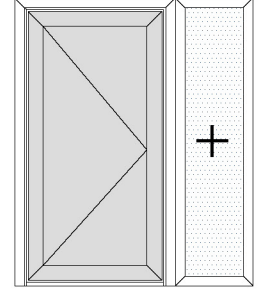
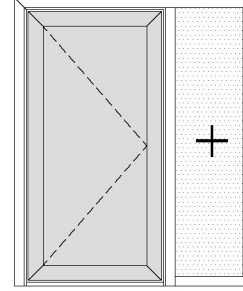
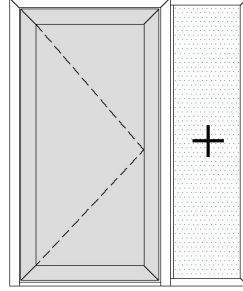
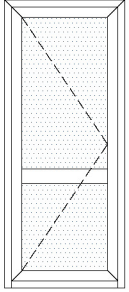
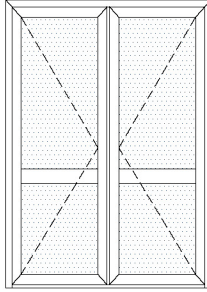
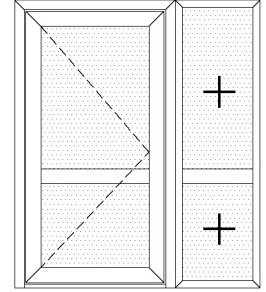
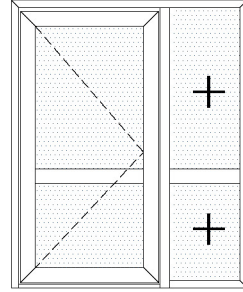
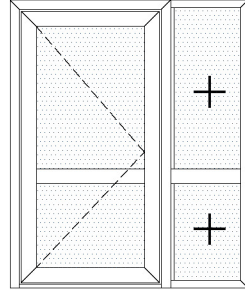
<b>WATERTIGHTNESS   SU GEÇİRGENLİĞİ - EN12008</b>										
<b>2A</b> (50 Pa)	<b>3A</b> (100 Pa)	<b>4A</b> (150 Pa)	<b>5A</b> (200 Pa)	<b>6A</b> (250 Pa)	<b>7A</b> (300 Pa)	<b>8A</b> (450 Pa)	<b>9A</b> (600 Pa)	<b>E...</b> (800+Pa)	<b>E1200</b> (1200 Pa)	
<b>AIR PERMEABILITY   HAVA GEÇİRGENLİĞİ - EN12207</b>										
<b>Class 1</b> (150 Pa)		<b>Class 2</b> (300 Pa)		<b>Class 3</b> (450 Pa)		<b>Class 4</b> (600 Pa)				
<b>RESISTANCE TO WIND LOAD   RÜZGAR DAYANIMI - EN12210</b>										
(400 Pa)		(800 Pa)		<b>C3</b> (1200 Pa)		(1600 Pa)		(2000 Pa)		(2000+ Pa)

**THERMAL INSULATION VALUE**  
SİSTEM UF DEĞERİ - EN ISO 10077-2



**Uf = 1,598 W/m2K**  
1100 mm x 2100 mm **Ud = 0,81 W/m2K**

## Opening Opportunities | Açılım Seçenekleri

**ENTRY DOOR WITH INSULATION PANEL**  
PANEL GİRİŞ KAPI

**DOUBLE LEAF ENTRY DOOR WITH INSULATION PANEL**  
ÇİFT KANAT PANEL GİRİŞ KAPISI

**ENTRY DOOR WITH INSULATION PANEL & SIDE LIGHT**  
PANEL GİRİŞ KAPISI VE IŞIK BANDI

**ENTRY DOOR WITH GLASS**  
CAMLI GİRİŞ KAPI

**DOUBLE LEAF DOOR WITH GLASS**  
ÇİFT KANAT CAMLI GİRİŞ KAPISI

**ENTRY DOOR WITH GLASS & SIDE LIGHT**  
CAMLI GİRİŞ KAPISI VE IŞIK BANDI


## production properties / üretim bilgisi

The aluminium profiles have been extruded from the alloy AlMgSi 0.5 as F22 according to the EN 12020.

**Physical Properties**

- |                                 |                                 |
|---------------------------------|---------------------------------|
| 1. Density                      | : 2.70 Kg / dm <sup>3</sup>     |
| 2. Modules of Elasticity        | : 69 kN / mm <sup>2</sup>       |
| 3. Resistivity                  | : 20° 33 n Ω .m                 |
| 4. Melting point                | : 600 - 655 °C                  |
| 5. Linear expansion coefficient | : 20 - 100°C μ °C <sup>-1</sup> |

Alloy

**Mechanical Properties**

- |                     |               |
|---------------------|---------------|
| 1. Tensile strength | : Min 215 MPa |
| 2. Yield strength   | : 190 MPa     |
| 3. Elongation       | : % 10        |
| 4. Hardness         | : 67 Brinell  |

**Anodising**

In anodising process , microns of the profiles for the inside and outside use are different.

The complete anodisation process takes place in accordance with the specifications of **QUALANOD**.

Surface Treatment

**Electrostatic Powder Coating**

The thermal break allows the profile to be painted when compounded.

On average, the coating thickness is minimally 60 micron.

The complete powder coating process takes place in accordance with the specifications of **QUALICOAT SEASIDE**.

Alüminyum profiller AlMgSi 0.5 - F22 alaşımından ve EN 12020 standardına göre üretilir.

**Fiziksel Özellikler**

- |                        |                                 |
|------------------------|---------------------------------|
| 1. Yoğunluk            | : 2.70 Kg / dm <sup>3</sup>     |
| 2. Elastisite Modülü   | : 69 kN / mm <sup>2</sup>       |
| 3. Direnç              | : 20° 33 n Ω .m                 |
| 4. Erime Noktası       | : 600 - 655 °C                  |
| 5. Genişleme Katsayısı | : 20 - 100°C μ °C <sup>-1</sup> |

Alaşım

**Mekanik Özellikler**

- |                        |               |
|------------------------|---------------|
| 1. Kopma Dayanıklılığı | : Min 215 MPa |
| 2. Elastisite Limiti   | : 190 MPa     |
| 3. Uzama               | : % 10        |
| 4. Sertlik             | : 67 Brinell  |

**Eloksal**

Eloksal projesinde profil mikronları iç ve dış kullanım için farklıdır. Bütün eloksal projesi **QUALANOD** spesifikasyonlarına göre uygulanır.

Yüzey İşlem

**Elektrostatik Toz Boya**

Isı bariyeri çakıldığında profil boyanabilir.

Genel olarak kaplama kalınlığı minimum 60 mikrondur.

Bütün toz boya projesi **QUALICOAT SEASIDE** spesifikasyonlarına göre uygulanır.

**classificationreport / testbelgesi**

# ift-Nachweis

## Classification Report





Number	22-003418-PR01 (NW-C01-02-en-01)
Owner	KURTOGLU ALUMINYUM BAKIR KURSUN SAN. A.S. Haciseremet Mevkii TEM Corlu Cikisi Velimese 59860 Tekirdag Turkey
Product	External pedestrian doorset
Designation	System: 84FD Shipping name: 84FD
Details	Material Aluminium system with thermal break; Overall dimensions (W x H) 1100 x 2100 ; Closing condition closed and locked; Threshold: Designation 84FD-401-18; System 84FD; Material Aluminium system with thermal break; Lock: Designation GU-SECURITY SH2
Special features	Test sequence. Material compatibility must be taken into account. Material durability must be taken into account.


**Basis \*)**  
EN 14351-1:2008+A2:2016-09  
\*) and corresponding national versions (e.g. DIN EN)  
Test report: 22-003418-PR01 PB-C01-02-en-01



**Result \*\*)**

Air permeability according to EN 12207:2016-12  
 **Class: 4**

Resistance to wind load according to EN 12210:2016-03  
 **Class: C3**

Watertightness according to EN 12208:1999-11  
 **Class: 9A**

**Instructions for use**  
The Evidence ("Nachweis") can be used for preparing the Declaration of Performance in accordance with the Construction Products Regulation 305/2011/EU. The results obtained apply to the direct field of application determined in Annex E of EN 14351-1.

**Validity**  
There is no time limit. When using this document the up-to-dateness of above basis and the conformity of the product have to be observed.

**Notes on publication**  
The ift-Guidance Sheet "Conditions and Guidance for the Use of ift Test Documents" applies.

\*\*) Decision rule: For the evaluation of conformity, the measurement uncertainty was not taken into account.

ift Rosenheim  
02.11.2022



Thomas Stefan, Dipl.-Ing. (FH)  
Head of Testing Department  
Building Component Testing



Dimitrios Moustakidis, MSc, Dipl.-Ing.  
Operating Testing Officer  
Building Component Testing



[www.ift-rosenheim.de/ift-aeonueft](http://www.ift-rosenheim.de/ift-aeonueft)  
ID: 01D-B06A0

Ne-PB-14602-en/01.01.2022

ift Rosenheim GmbH  
Theodor-Gietl-Str. 7-9  
D-83026 Rosenheim

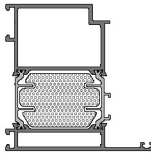
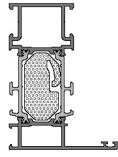
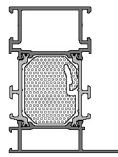
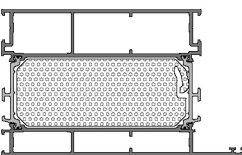
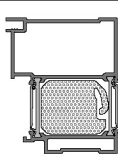
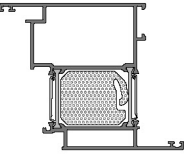
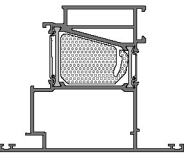
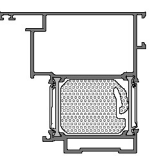
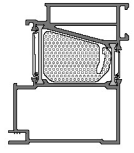
Contact  
Phone: +49 8031 261-0  
Fax: +49 8031 261-300  
www.ift-rosenheim.de

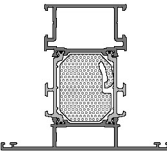
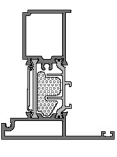
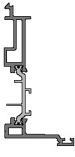











Testing and Calibration – EN ISO/IEC 17025  
Inspection – EN ISO/IEC 17020  
Product Certification – EN ISO/IEC 17065  
Certification of Management Systems – EN ISO/IEC 17021
















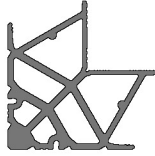
PROFILE INDEX |  
PROFIL INDEKS






**profiles / profiller**

CODE KOD	DRAWING ÇİZİM	WEIGHT AĞIRLIK Kg/m
84FD-102-20		2.298
84FDH-102-18		2.329
84T-102-18		1.719
84TH-102-18		1.735
84T-103-18		1.913
84TH-103-18		1.939
84T-109-18		3.428
84TH-109-18		3.523
84FD-201-18		1.886
84FDH-201-18		1.914
84FD-211-18		2.254
84FDH-211-18		2.282
84FD-212-18		2.467
84FDH-212-18		2.489
84FD-221-18		2.069
84FDH-221-18		2.097
84FD-222-18		2.212
84FDH-222-18		2.234

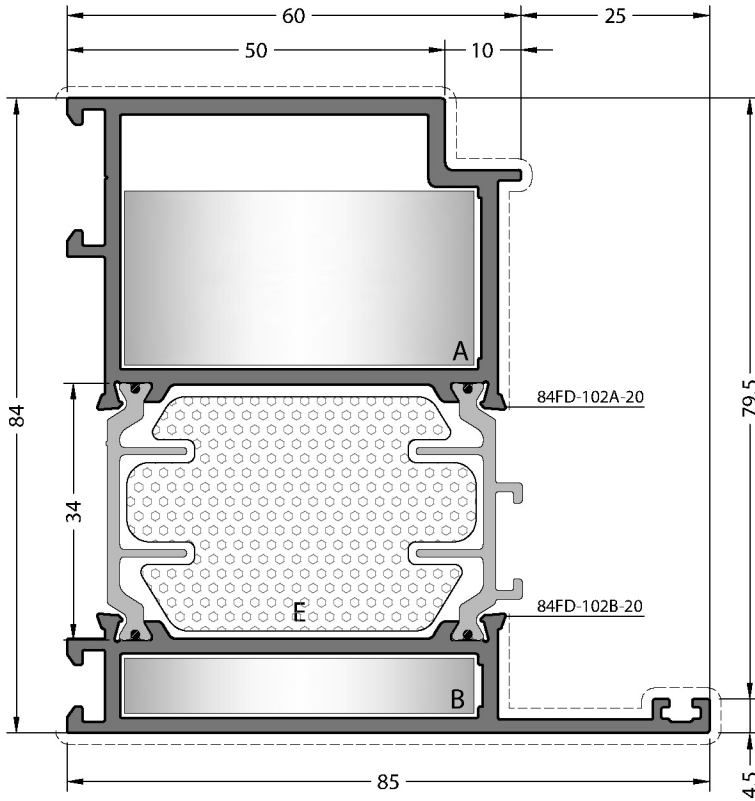
CODE KOD	DRAWING ÇİZİM	WEIGHT AĞIRLIK Kg/m
84T-303-18		2.032
84TH-303-18		2.058
84FD-501-00		1.526
84FDH-501-00		1.532
84FD-502-00		1.009
84FD-503-00		0.178
84FD-504-00		0.202
84FD-401-18		0.941
08-205-00		0.279
08-207-00		0.290
08-208-00		0.298
08-209-00		0.308
08-212-00		0.323
08-213-00		0.339
08-217-00		0.351
08-215-00		0.369

**profiles / profiller**

CODE KOD	DRAWING ÇİZİM	WEIGHT AĞIRLIK Kg/m
08-216-00		0.393
08-222-00		0.417
08-105-00		0.259
08-107-00		0.262
08-108-00		0.269
08-109-00		0.280
08-112-00		0.291
08-113-00		0.300
08-117-00		0.309
08-115-00		0.317
09-124-00		4.572
09-108-00		5.053
09-131-00		5.672
09-149-00		7.372

CODE KOD	DRAWING ÇİZİM	WEIGHT AĞIRLIK Kg/m
70T-911-00		0.581
70T-912-00		0.566
70T-913-00		0.895
84FD-911-00		0.658
09-901-00		0.582

PROFILES  
PROFILLER



**CODE / KOD**

**84FD-102-20**

**84FDH-102-20**

**THEORETICAL WEIGHT / TEORİK AĞIRLIK ( kg/m )**

**2.298**

**2.329**

**PRESS CORNER JOINT / PRES KÖŞE BAĞLANTI**



**A CC-131-23.6**

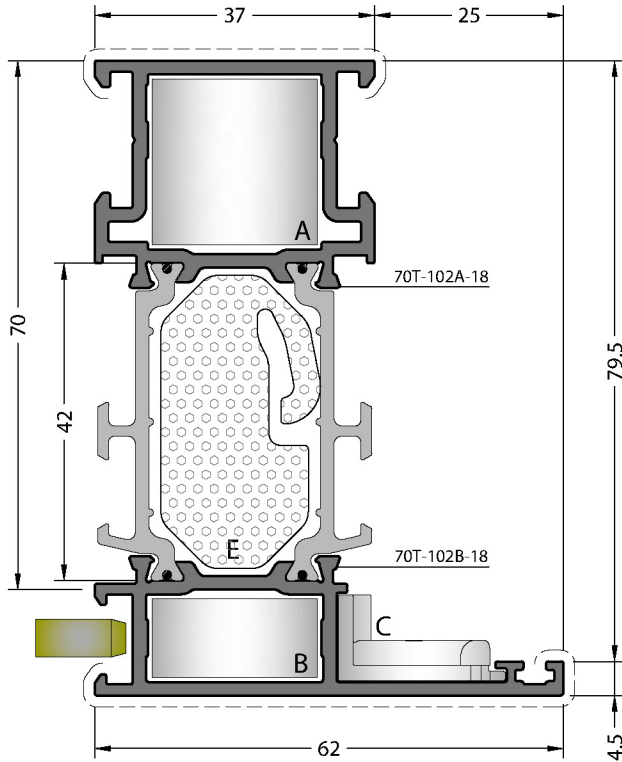


**B CC-131-07.9**

**THERMAL ISOLATION MATERIAL / ISI YALITIM MALZEMESİ**



**E HM84FD-102**



**CODE / KOD**

**84T-102-18**

**84TH-102-18**

**THEORETICAL WEIGHT / TEORİK AĞIRLIK ( kg/m )**

**1.719**

**1.735**

**PRESS CORNER JOINT**

PRES KÖŞE BAĞLANTI

**MECHANICAL COR. JOINT**

MEKANİK KÖŞE BAĞLANTI



**A** CC-103-22.6



**A** KC-803-22.4



**B** CC-103-11.0



**B** CPA-103-11.0



**C** EM70-21



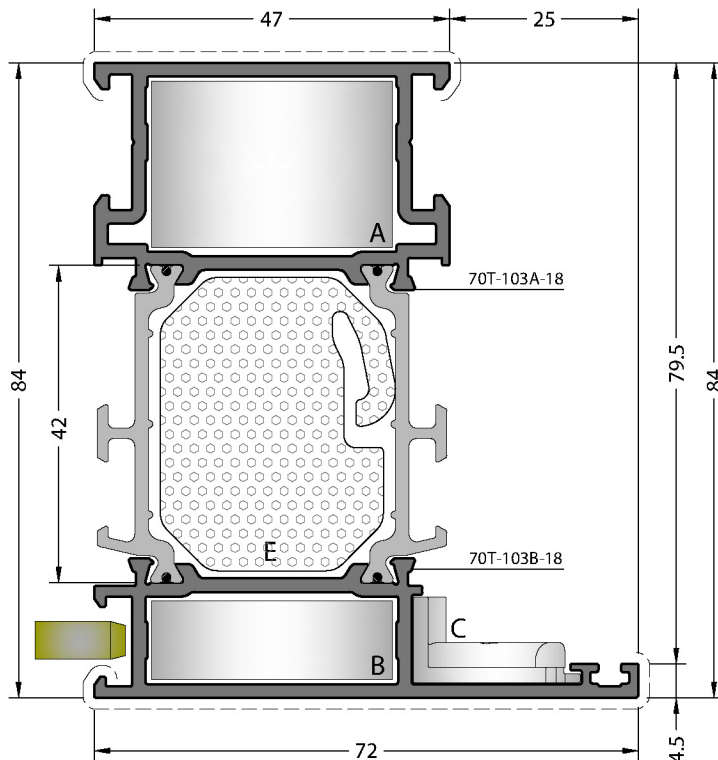
**C** EM70-21

**THERMAL ISOLATION MATERIAL / ISI YALITIM MALZEMESİ**



**E** HM84T-102

\* Look to 84T/TH-302-18 profile for T Junctions  
T bağlantı için 84T/TH-302-18 profiline bakınız.



**CODE / KOD**

**84T-103-18**

**84TH-103-18**

**THEORETICAL WEIGHT / TEORİK AĞIRLIK ( kg/m )**

**1.913**

**1.939**

**PRESS CORNER JOINT**

PRES KÖŞE BAĞLANTI

**MECHANICAL COR. JOINT**

MEKANİK KÖŞE BAĞLANTI



**A** CC-124-22.6



**A** KC-809-22.4



**B** CC-124-11.0



**B** CPA-124-11.0



**C** EM70-21



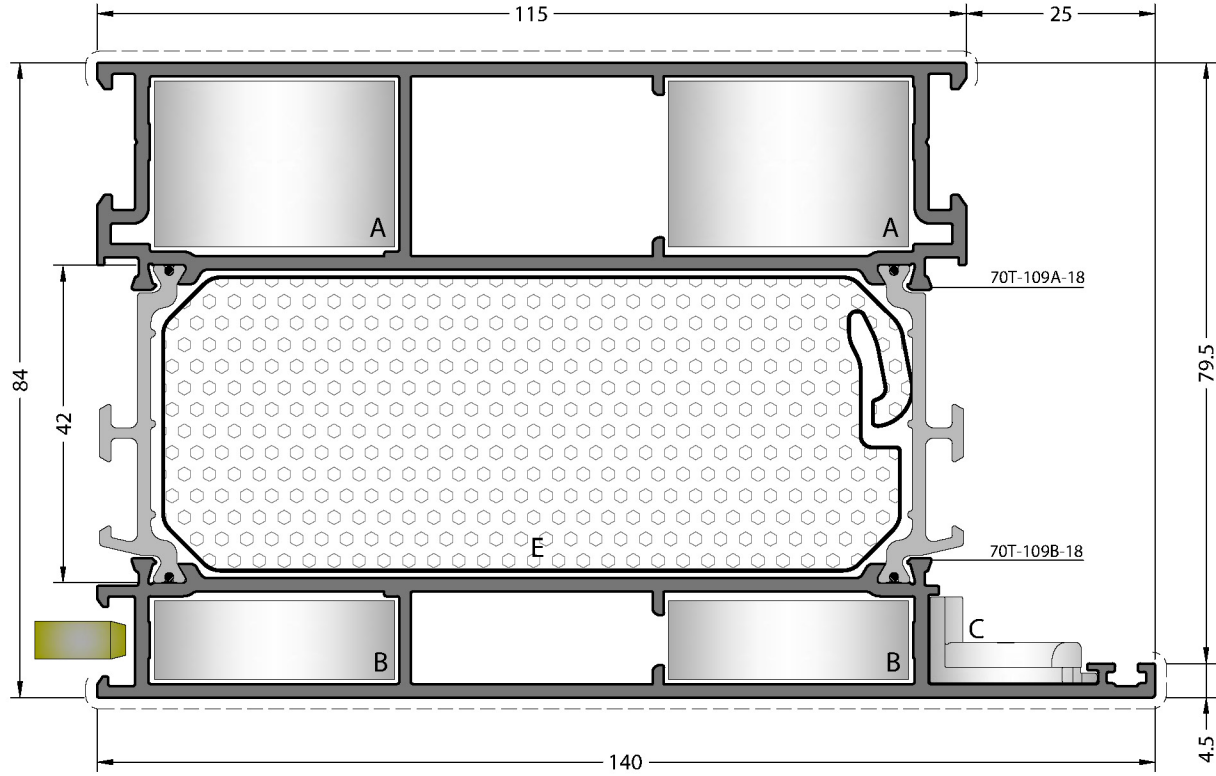
**C** EM70-21

**THERMAL ISOLATION MATERIAL / ISI YALITIM MALZEMESİ**



**E** HM84T-103

\* Look to 84T/TH-303-18 profile for T Junctions  
T bağlantı için 84T/TH-303-18 profiline bakınız.



**CODE / KOD**

**84T-109-18**

**84TH-109-18**

**THEORETICAL WEIGHT / TEORİK AĞIRLIK ( kg/m )**

**3.428**

**3.523**

**PRESS CORNER JOINT**

PRES KÖŞE BAĞLANTI



**A** CC-124-22.6



**B** CC-124-11.0



**C** EM70-21

**MECHANICAL COR. JOINT**

MEKANİK KÖŞE BAĞLANTI



**A** KC-809-22.4



**B** CPA-124-11.0



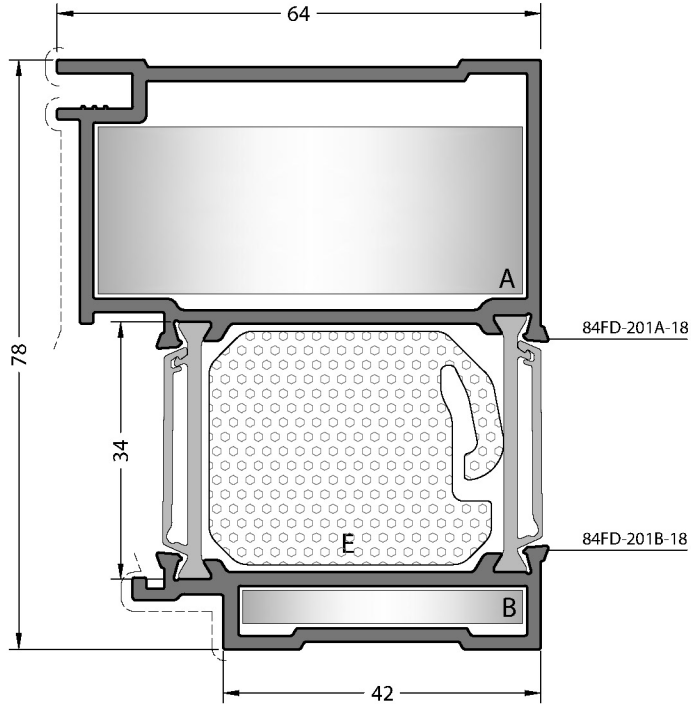
**C** EM70-21

**THERMAL ISOLATION MATERIAL / ISI YALITIM MALZEMESİ**



**E** HM84T-109

\* Look to 70T/TH-303-18 profile for T Junctions  
\* T bağlantı için 70T/TH-303-18 profiline bakınız.



**CODE / KOD**

**84FD-201-18**

**84FDH-201-18**

**THEORETICAL WEIGHT / TEORİK AĞIRLIK (kg/m)**

**1.886**

**1.914**

**PRESS CORNER JOINT / PRES KÖŞE BAĞLANTI**



**A CC-149-22.7**

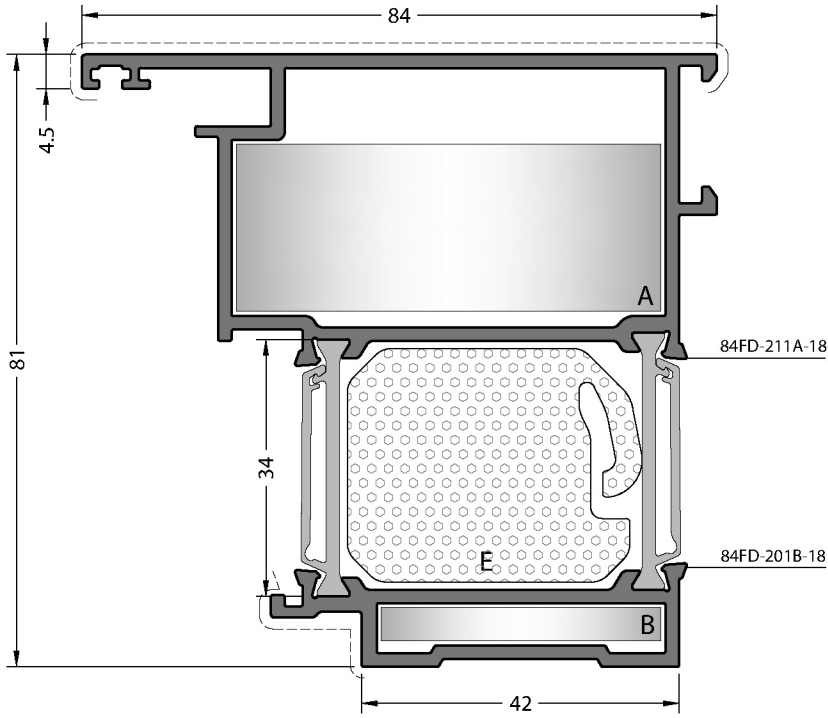


**B CC-108-05.0**

**THERMAL ISOLATION MATERIAL / ISI YALITIM MALZEMESİ**



**E HM84FD-201**



CODE / KOD

**84FD-221-18**

**84FDH-221-18**

THEORETICAL WEIGHT / TEORİK AĞIRLIK (kg/m)

**2.069**

**2.097**

PRESS CORNER JOINT / PRES KÖŞE BAĞLANTI



**A** CC-149-22.7

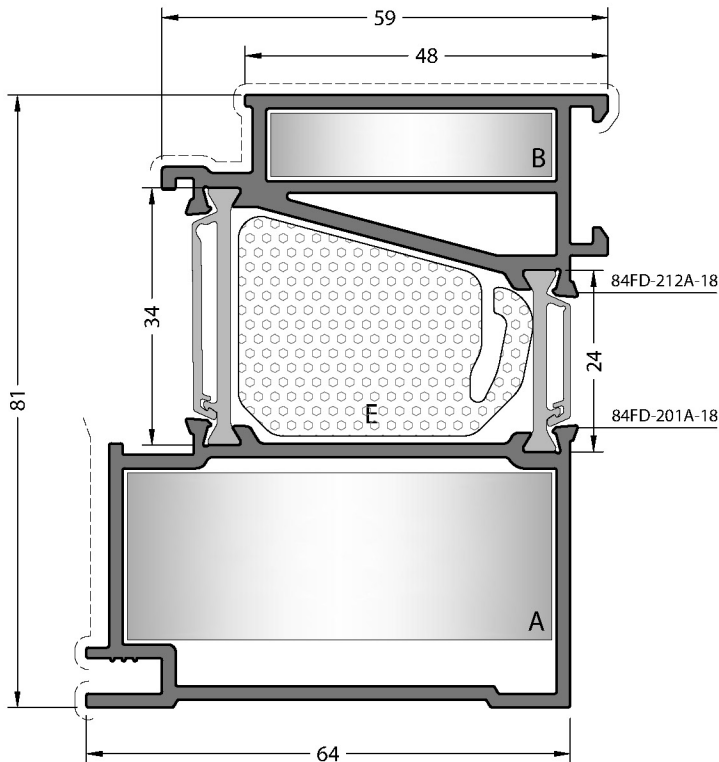


**B** CC-108-05.0

THERMAL ISOLATION MATERIAL / ISI YALITIM MALZEMESİ



**E** HM84FD-201



CODE / KOD

**84FD-222-18**

**84FDH-222-18**

THEORETICAL WEIGHT / TEORİK AĞIRLIK (kg/m)

**2.212**

**2.234**

PRESS CORNER JOINT / PRES KÖŞE BAĞLANTI



**A** CC-149-22.7

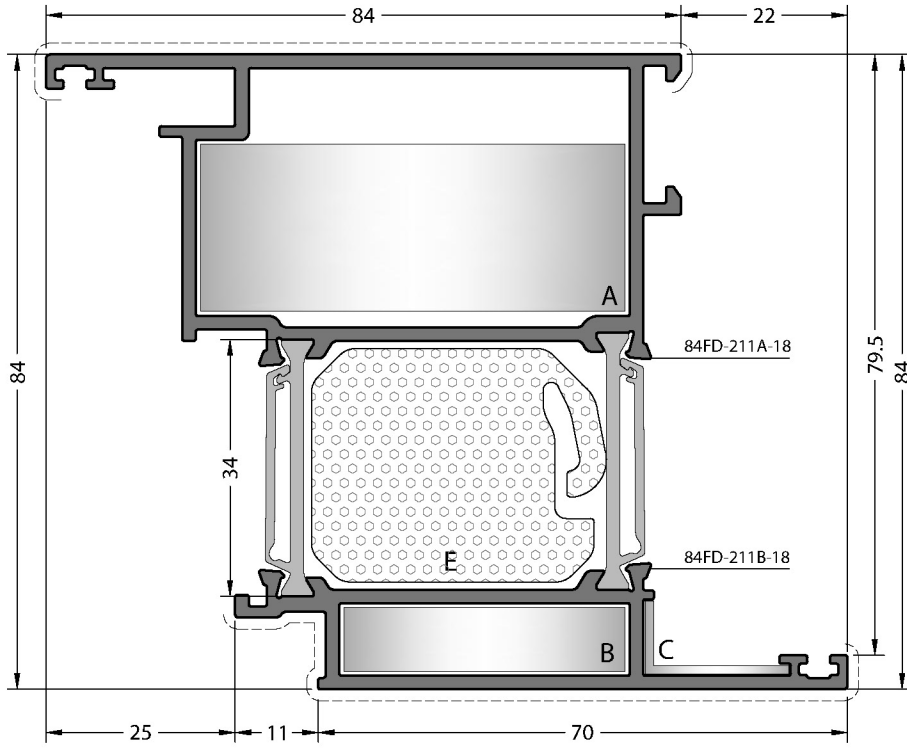


**B** CC-108-09.0

THERMAL ISOLATION MATERIAL / ISI YALITIM MALZEMESİ



**E** HM84FD-212



CODE / KOD

**84FD-211-18**

**84FDH-211-18**

THEORETICAL WEIGHT / TEORİK AĞIRLIK (kg/m)

**2.254**

**2.282**

PRESS CORNER JOINT / PRES KÖŞE BAĞLANTI



**A CC-149-22.7**



**B CC-108-09.0**

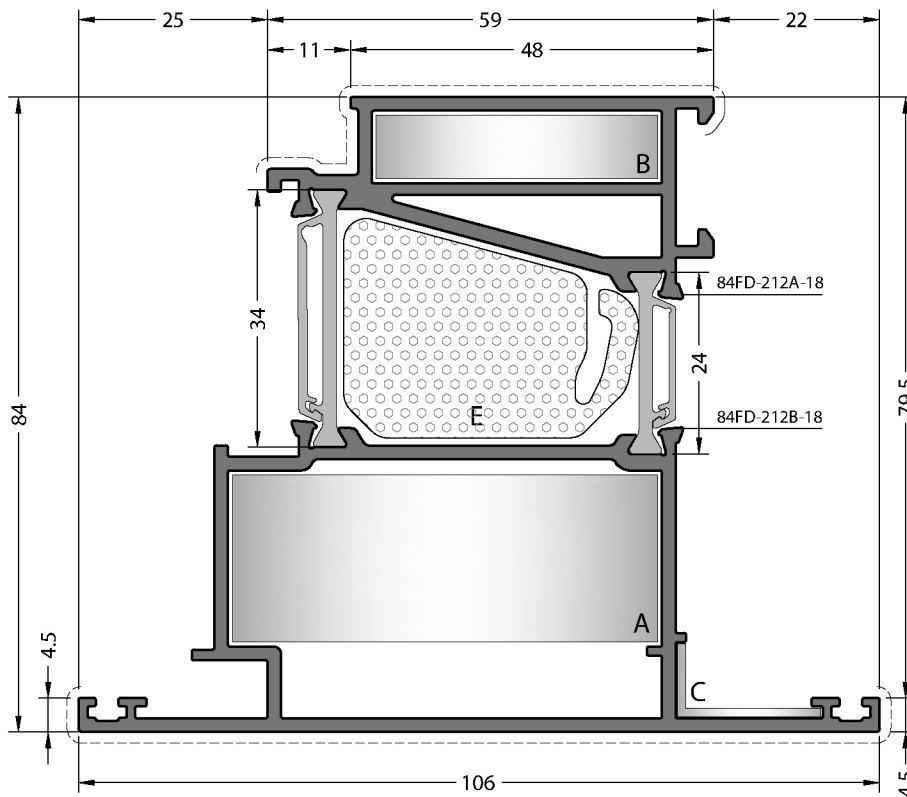


**C EM58-21**

THERMAL ISOLATION MATERIAL / ISI YALITIM MALZEMESİ



**E HM84FD-201**



CODE / KOD

**84FD-212-18**

**84FDH-212-18**

THEORETICAL WEIGHT / TEORİK AĞIRLIK (kg/m)

**2.467**

**2.489**

PRESS CORNER JOINT / PRES KÖŞE BAĞLANTI



**A CC-149-22.7**



**B CC-108-09.0**

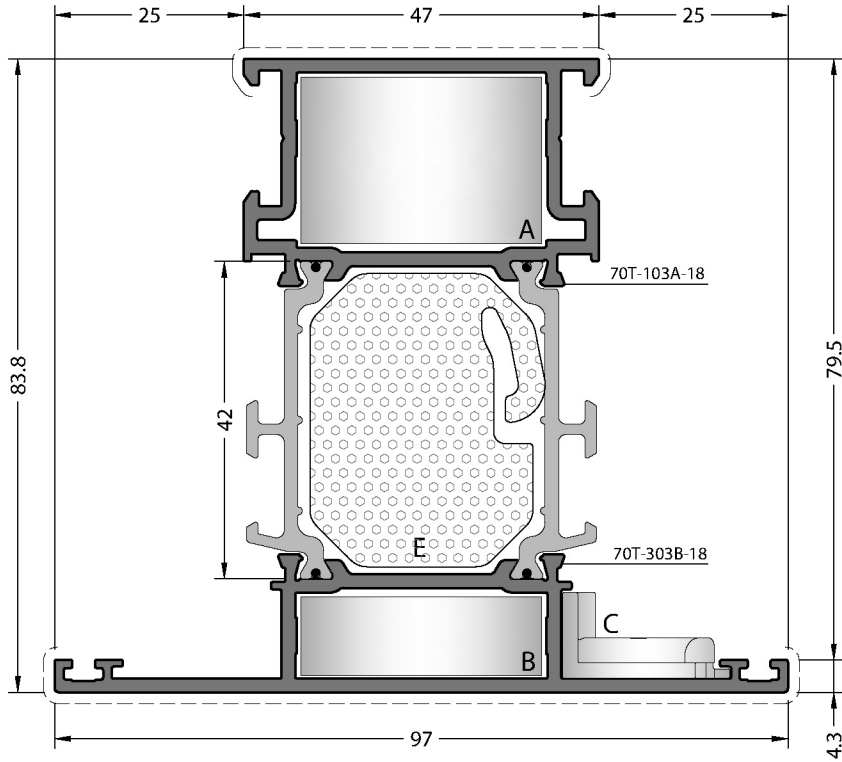


**C EM58-21**

THERMAL ISOLATION MATERIAL / ISI YALITIM MALZEMESİ



**E HM84FD-212**



**CODE / KOD**

**84T-303-18**

**84TH-303-18**

**THEORETICAL WEIGHT / TEORİK AĞIRLIK (kg/m)**

**2.032**

**2.058**

**MONTAGE TO SASH T JUNCTION**

STANDART KANAT ÇEKTİRME BAĞ.



**A** TJ70T-903-32.4

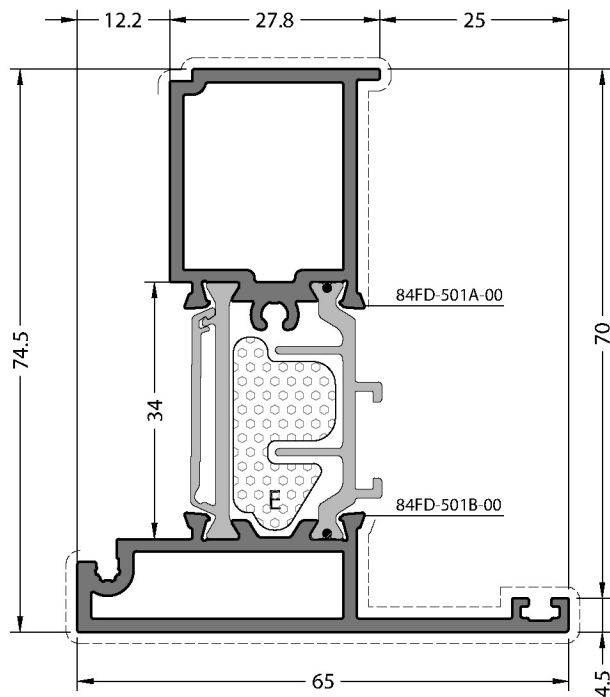


**B** TJ84FD-902-32.4

**THERMAL ISOLATION MATERIAL / ISI YALITIM MALZEMESİ**



**E** HM84T-103



**CODE / KOD**

**84FD-501-00**

**84FDH-501-00**

**THEORETICAL WEIGHT / TEORİK AĞIRLIK (kg/m)**

**1.526**

**1.532**

**ADAPTER CAP / ADAPTÖR KAPAĞI**



**EM84FD-501**  
**A-B**

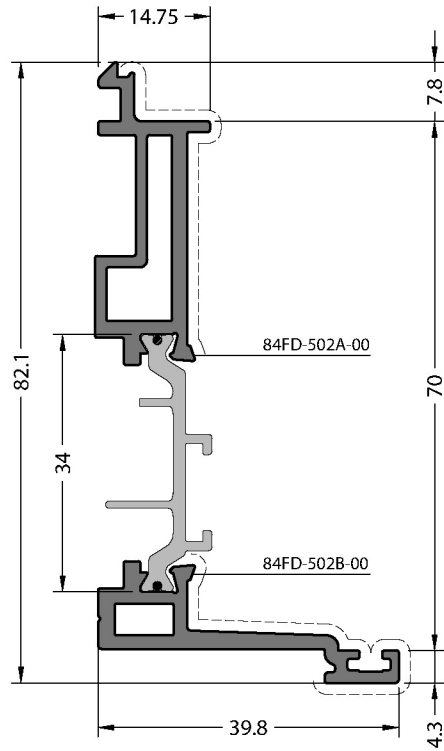


**EM84FD-501**  
**C-D**

**THERMAL ISOLATION MATERIAL / ISI YALITIM MALZEMESİ**



**E** HM84FD-501

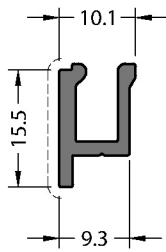


CODE / KOD

**84FD-502-00**

THEORETICAL WEIGHT  
TEORİK AĞIRLIK ( kg/m )

**1.009**

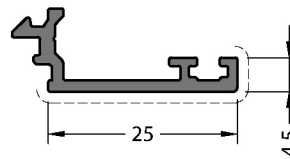


CODE / KOD

**84FD-503-00**

THEORETICAL WEIGHT  
TEORİK AĞIRLIK ( kg/m )

**0.178**

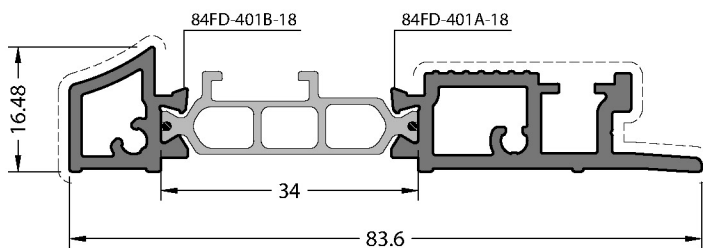


CODE / KOD

**84FD-504-00**

THEORETICAL WEIGHT  
TEORİK AĞIRLIK ( kg/m )

**0.202**



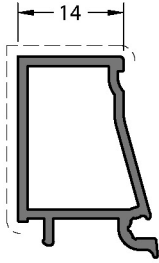
CODE / KOD

**84FD-401-18**

THEORETICAL WEIGHT  
TEORİK AĞIRLIK ( kg/m )

**0.941**

**SAFETY GLAZING BEADS / GÜVENLİKLİ CAM ÇİTALARI**

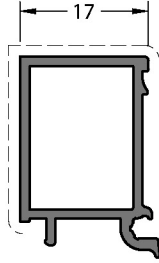


CODE / KOD

**08-205-00**

THEORETICAL WEIGHT  
TEORİK AĞIRLIK ( kg/m )

**0.279**

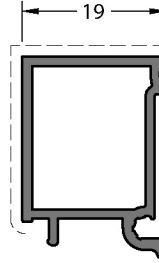


CODE / KOD

**08-207-00**

THEORETICAL WEIGHT  
TEORİK AĞIRLIK ( kg/m )

**0.290**

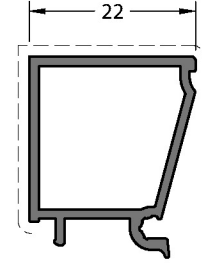


CODE / KOD

**08-208-00**

THEORETICAL WEIGHT  
TEORİK AĞIRLIK ( kg/m )

**0.298**

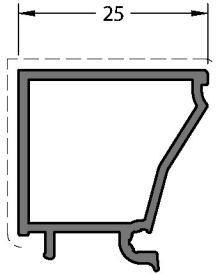


CODE / KOD

**08-209-00**

THEORETICAL WEIGHT  
TEORİK AĞIRLIK ( kg/m )

**0.308**

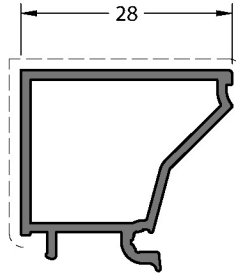


CODE / KOD

**08-212-00**

THEORETICAL WEIGHT  
TEORİK AĞIRLIK ( kg/m )

**0.323**

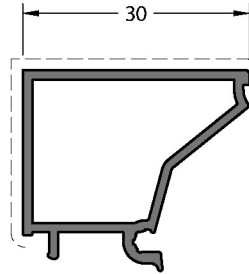


CODE / KOD

**08-213-00**

THEORETICAL WEIGHT  
TEORİK AĞIRLIK ( kg/m )

**0.339**

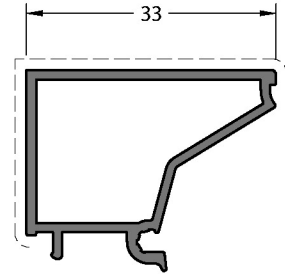


CODE / KOD

**08-217-00**

THEORETICAL WEIGHT  
TEORİK AĞIRLIK ( kg/m )

**0.351**

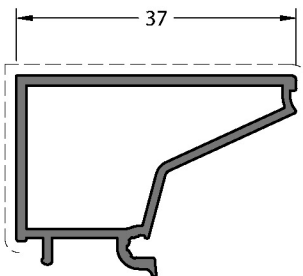


CODE / KOD

**08-215-00**

THEORETICAL WEIGHT  
TEORİK AĞIRLIK ( kg/m )

**0.369**

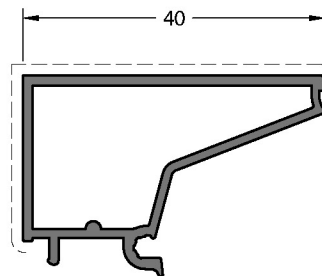


CODE / KOD

**08-216-00**

THEORETICAL WEIGHT  
TEORİK AĞIRLIK ( kg/m )

**0.393**



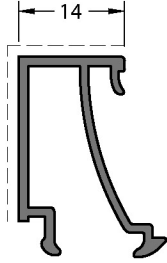
CODE / KOD

**08-222-00**

THEORETICAL WEIGHT  
TEORİK AĞIRLIK ( kg/m )

**0.417**

**STANDARD GLAZING BEADS / STANDART CAM ÇİTALARI**

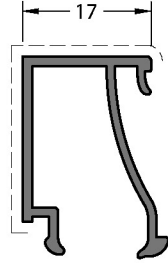


CODE / KOD

**08-105-00**

THEORETICAL WEIGHT  
TEORİK AĞIRLIK ( kg/m)

**0.259**

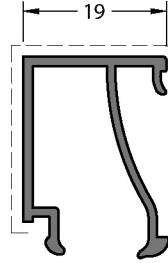


CODE / KOD

**08-107-00**

THEORETICAL WEIGHT  
TEORİK AĞIRLIK ( kg/m)

**0.262**

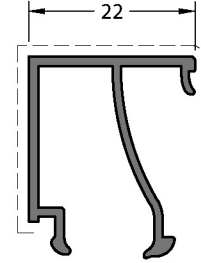


CODE / KOD

**08-108-00**

THEORETICAL WEIGHT  
TEORİK AĞIRLIK ( kg/m)

**0.269**

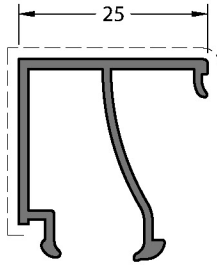


CODE / KOD

**08-109-00**

THEORETICAL WEIGHT  
TEORİK AĞIRLIK ( kg/m)

**0.280**

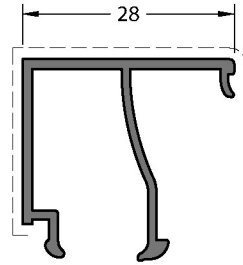


CODE / KOD

**08-112-00**

THEORETICAL WEIGHT  
TEORİK AĞIRLIK ( kg/m)

**0.291**

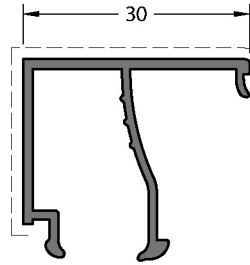


CODE / KOD

**08-113-00**

THEORETICAL WEIGHT  
TEORİK AĞIRLIK ( kg/m)

**0.300**

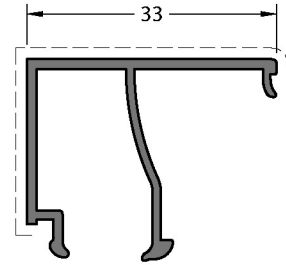


CODE / KOD

**08-117-00**

THEORETICAL WEIGHT  
TEORİK AĞIRLIK ( kg/m)

**0.309**



CODE / KOD

**08-115-00**

THEORETICAL WEIGHT  
TEORİK AĞIRLIK ( kg/m)

**0.317**

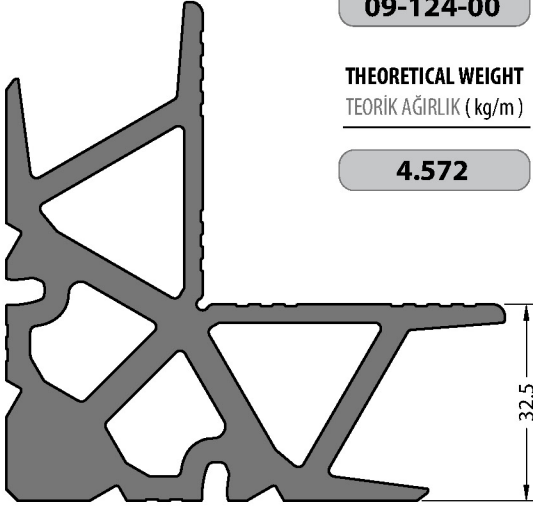
No visible surface.  
Görünen yüzeyi yoktur.

CODE / KOD

**09-124-00**

THEORETICAL WEIGHT  
TEORİK AĞIRLIK ( kg/m)

**4.572**



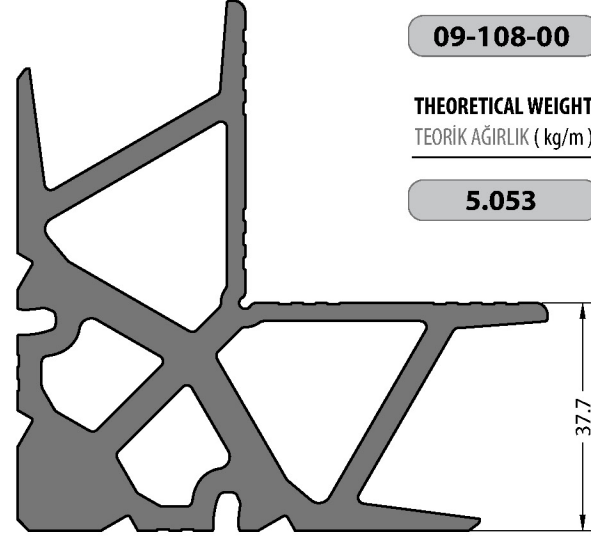
No visible surface.  
Görünen yüzeyi yoktur.

CODE / KOD

**09-108-00**

THEORETICAL WEIGHT  
TEORİK AĞIRLIK ( kg/m)

**5.053**



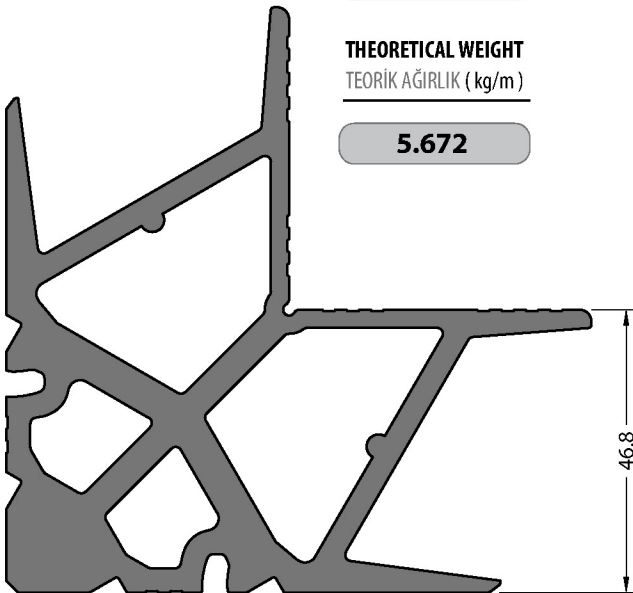
No visible surface.  
Görünen yüzeyi yoktur.

CODE / KOD

**09-131-00**

THEORETICAL WEIGHT  
TEORİK AĞIRLIK ( kg/m)

**5.672**



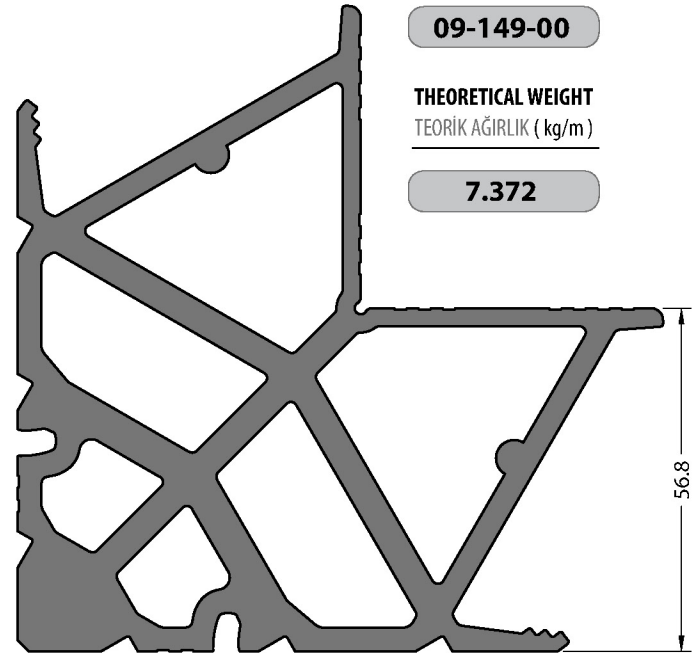
No visible surface.  
Görünen yüzeyi yoktur.

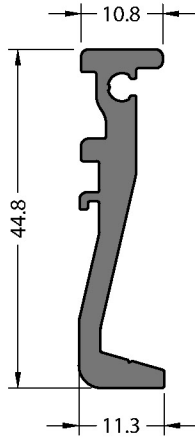
CODE / KOD

**09-149-00**

THEORETICAL WEIGHT  
TEORİK AĞIRLIK ( kg/m)

**7.372**





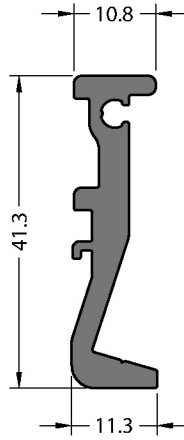
No visible surface.  
Görünen yüzeyi yoktur.

CODE / KOD

**70T-911-00**

THEORETICAL WEIGHT  
TEORİK AĞIRLIK ( kg/m )

**0.581**



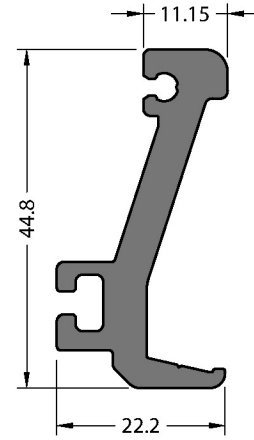
No visible surface.  
Görünen yüzeyi yoktur.

CODE / KOD

**70T-912-00**

THEORETICAL WEIGHT  
TEORİK AĞIRLIK ( kg/m )

**0.566**



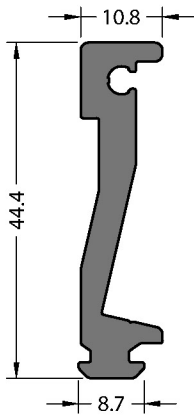
No visible surface.  
Görünen yüzeyi yoktur.

CODE / KOD

**70T-913-00**

THEORETICAL WEIGHT  
TEORİK AĞIRLIK ( kg/m )

**0.895**



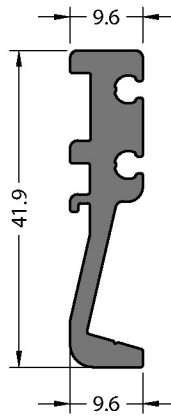
No visible surface.  
Görünen yüzeyi yoktur.

CODE / KOD

**84FD-911-00**

THEORETICAL WEIGHT  
TEORİK AĞIRLIK ( kg/m )

**0.658**



No visible surface.  
Görünen yüzeyi yoktur.

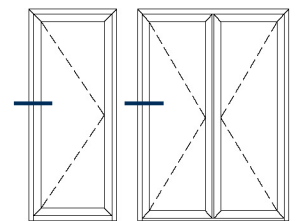
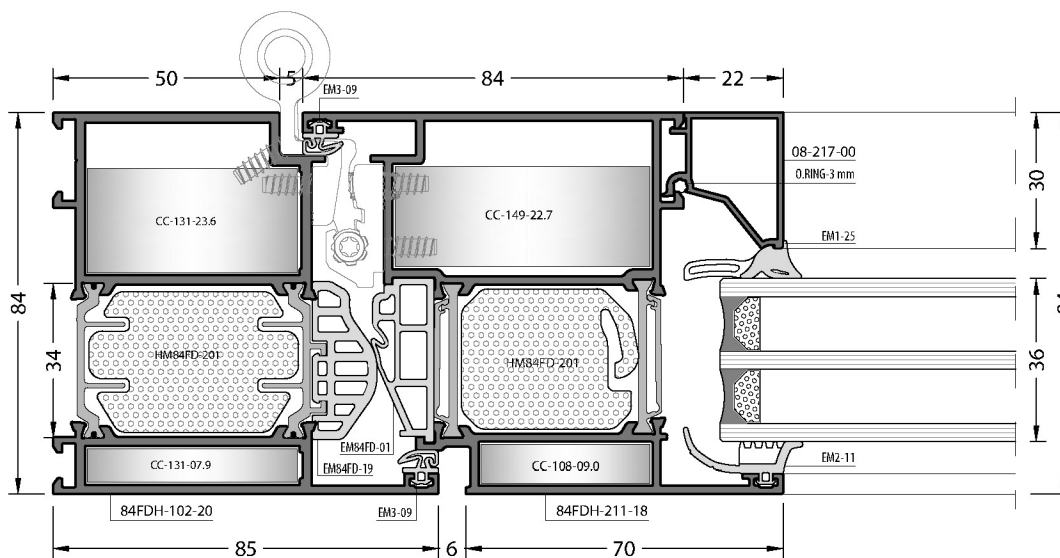
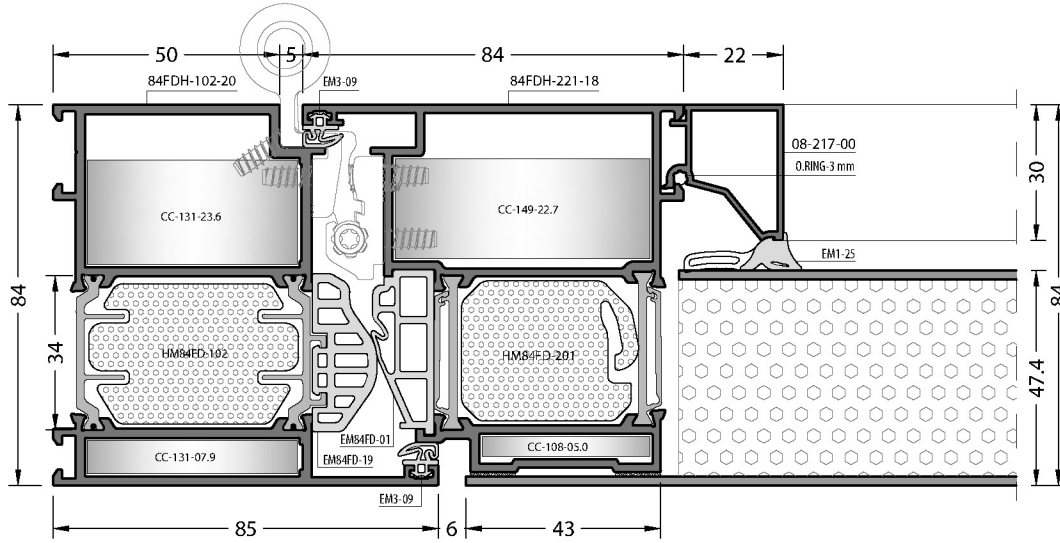
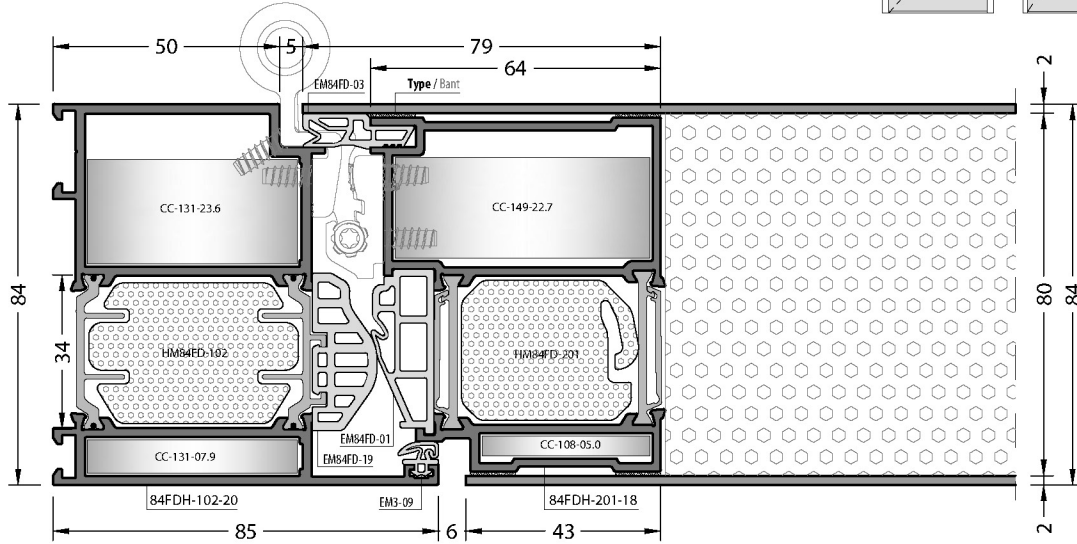
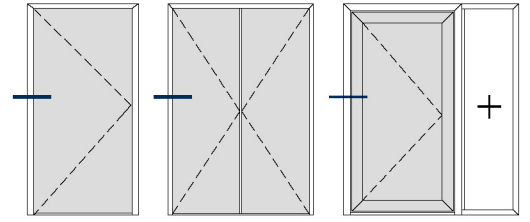
CODE / KOD

**09-901-00**

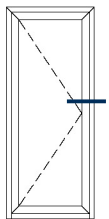
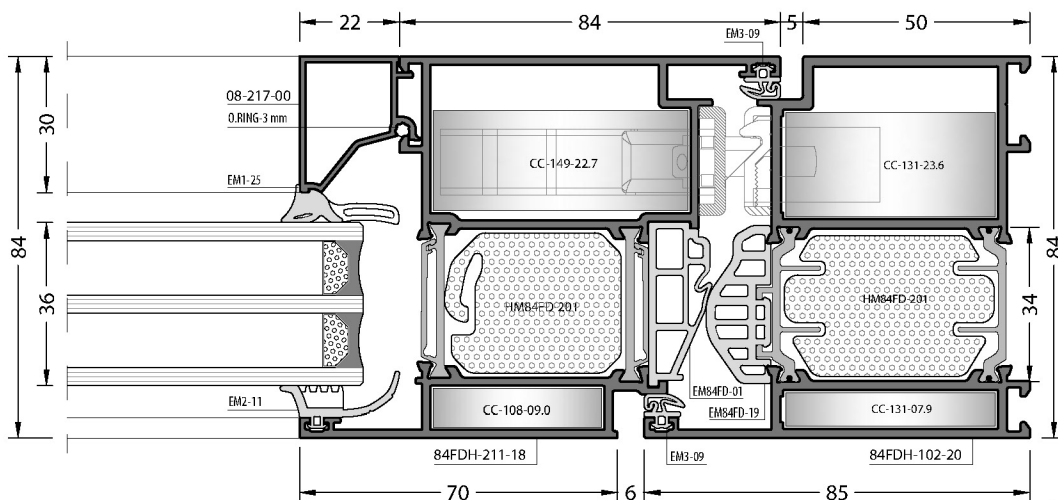
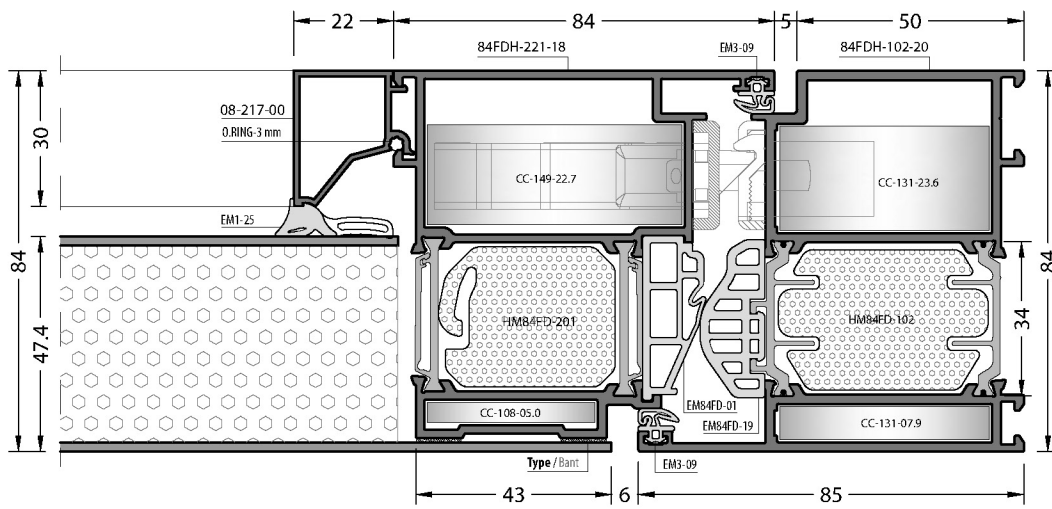
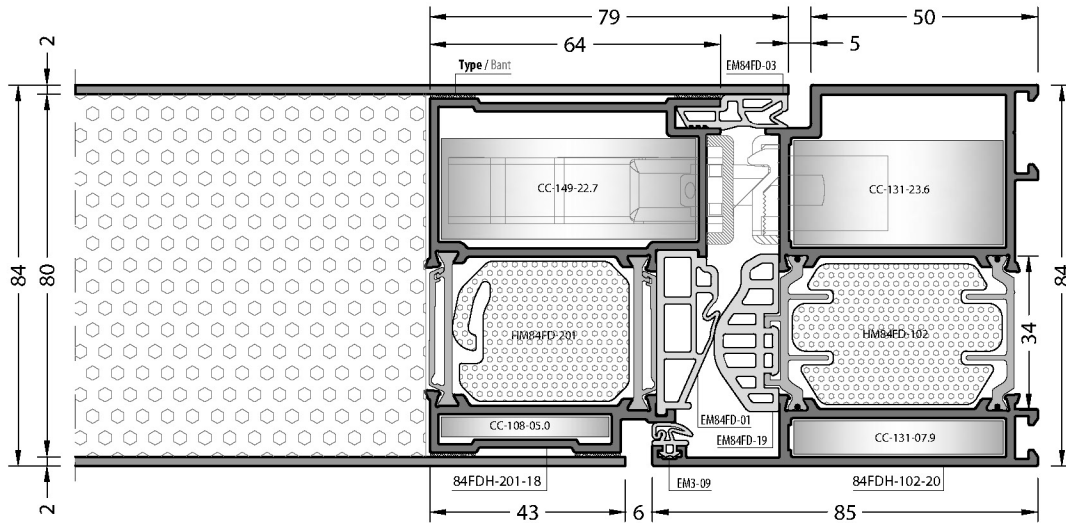
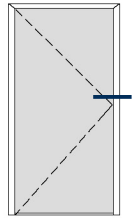
THEORETICAL WEIGHT  
TEORİK AĞIRLIK ( kg/m )

**0.582**

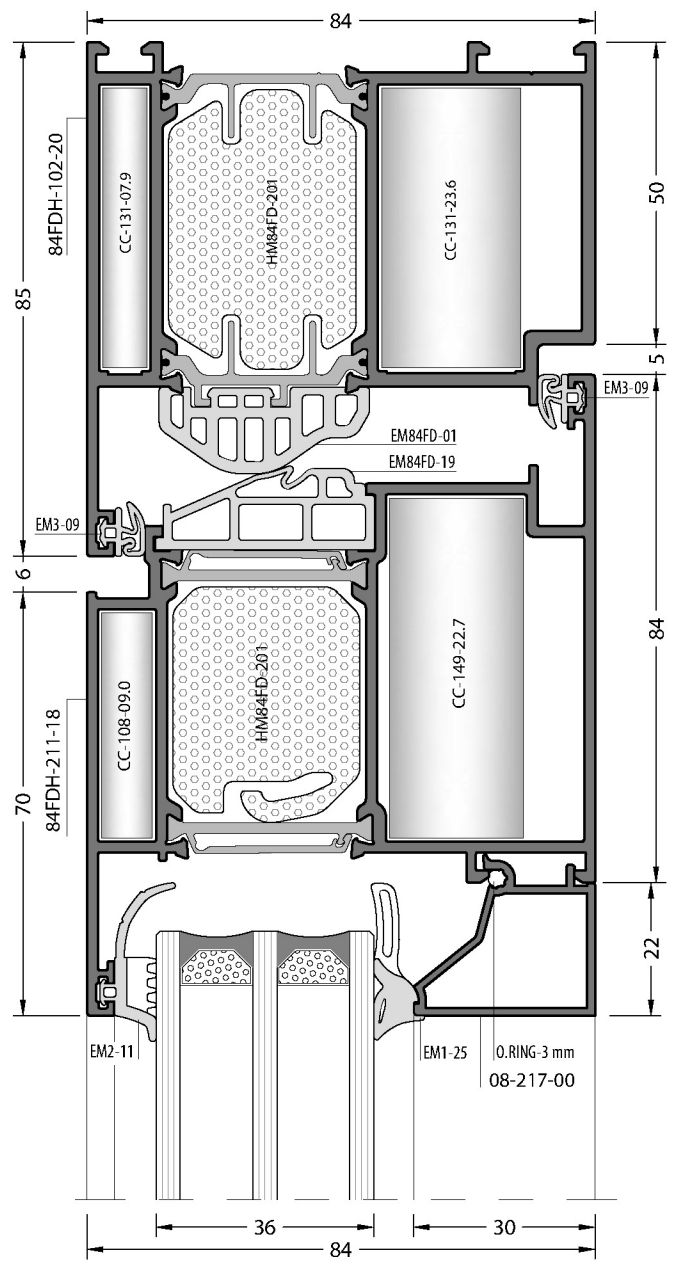
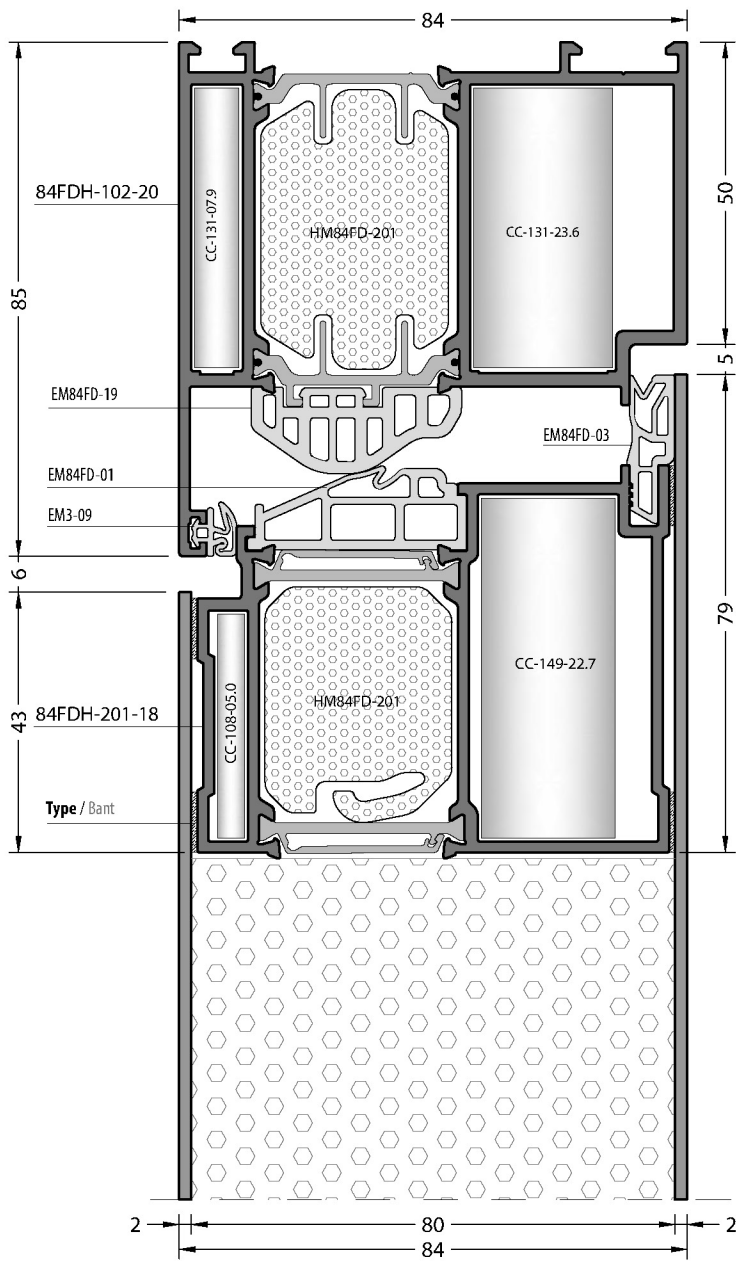
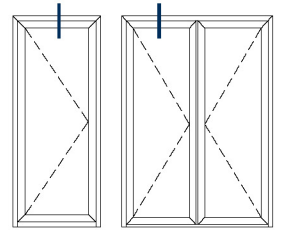
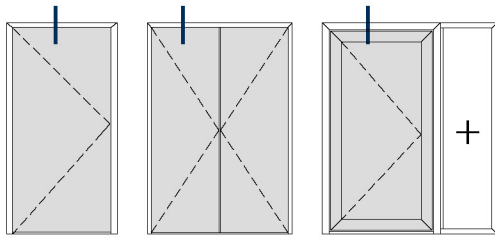
DETAILS  
DETAYLAR



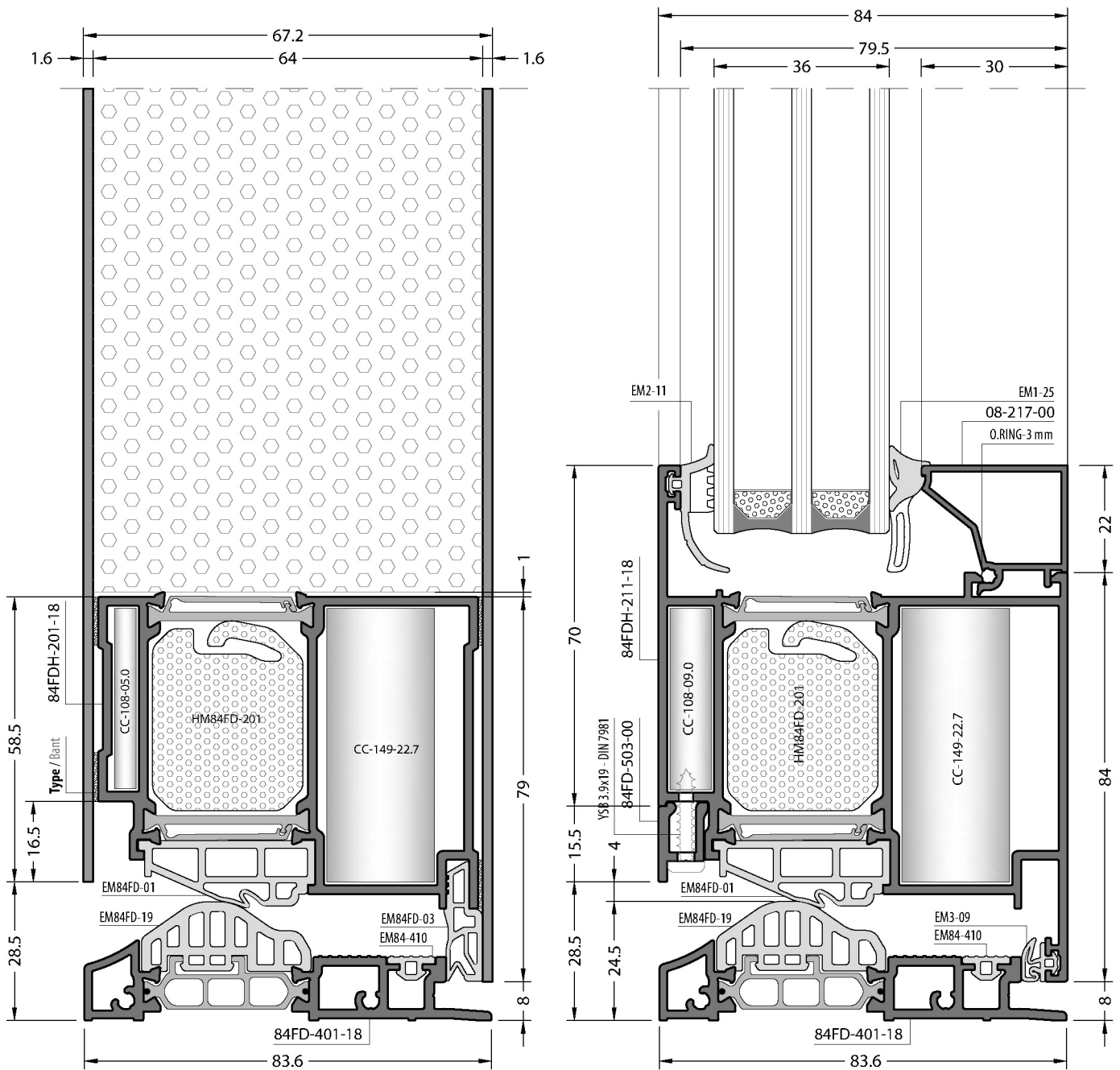
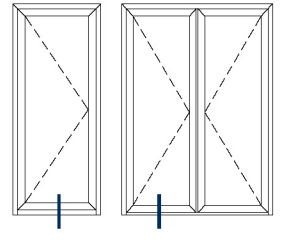
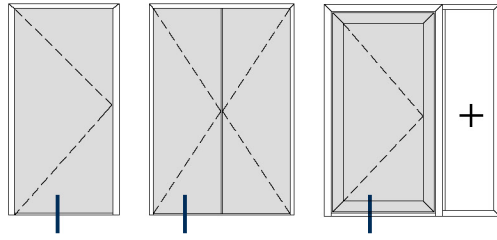
Not scaled / Ölçeksizdir



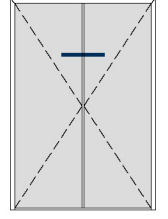
Not scaled / Ölçeksizdir



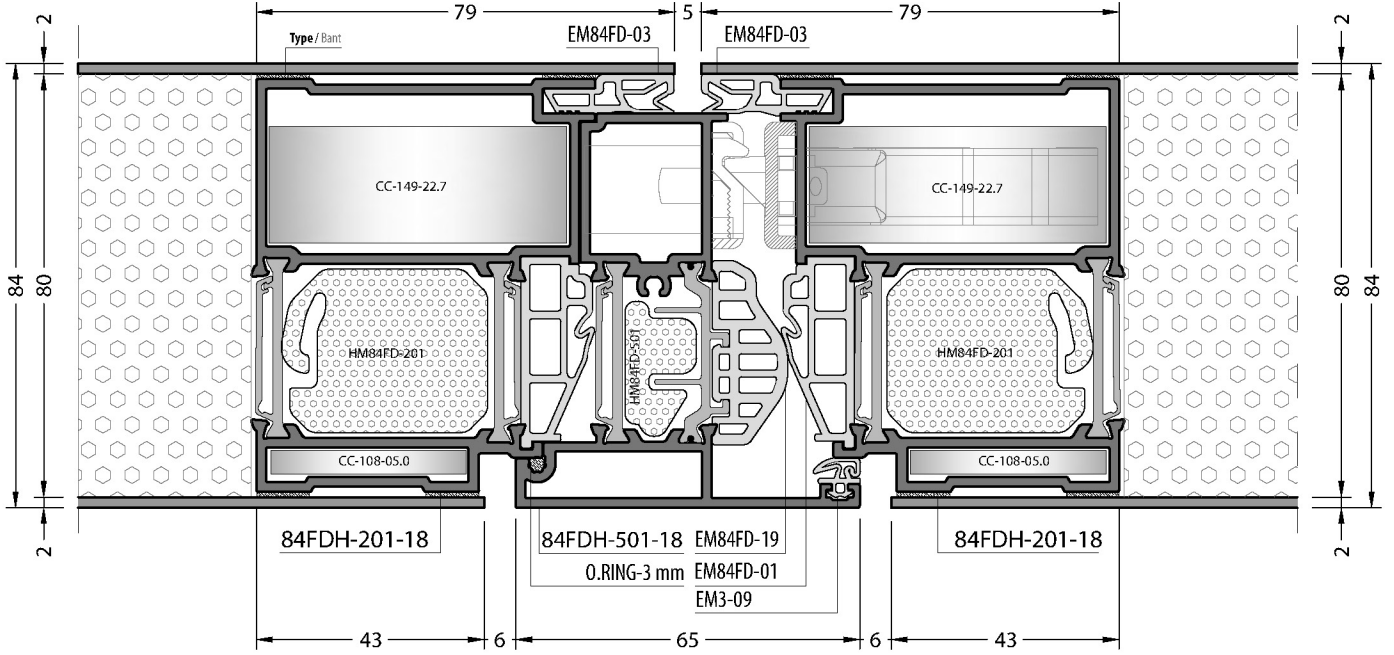
Not scaled / Ölçeksizdir



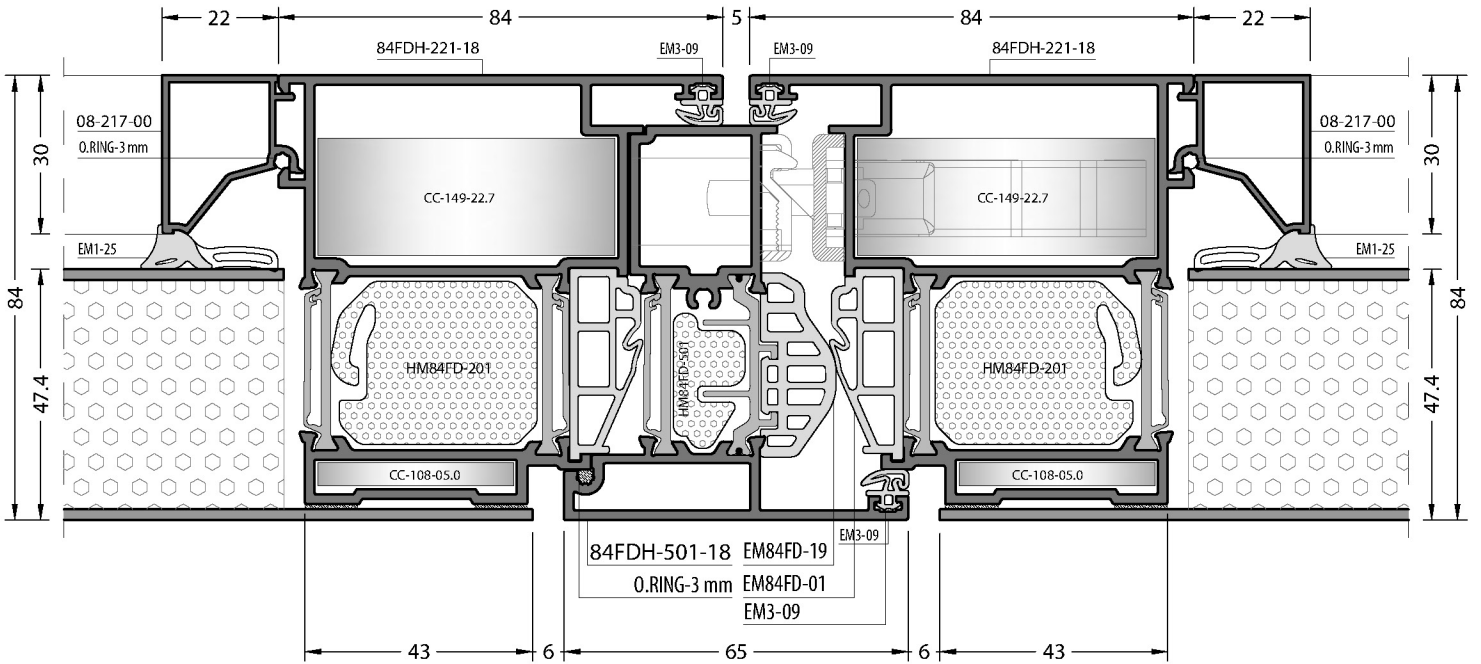
Not scaled / Ölçeksizdir



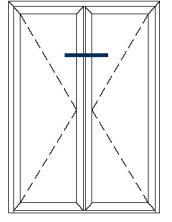
**PANEL DOOR / PANEL KAPI**



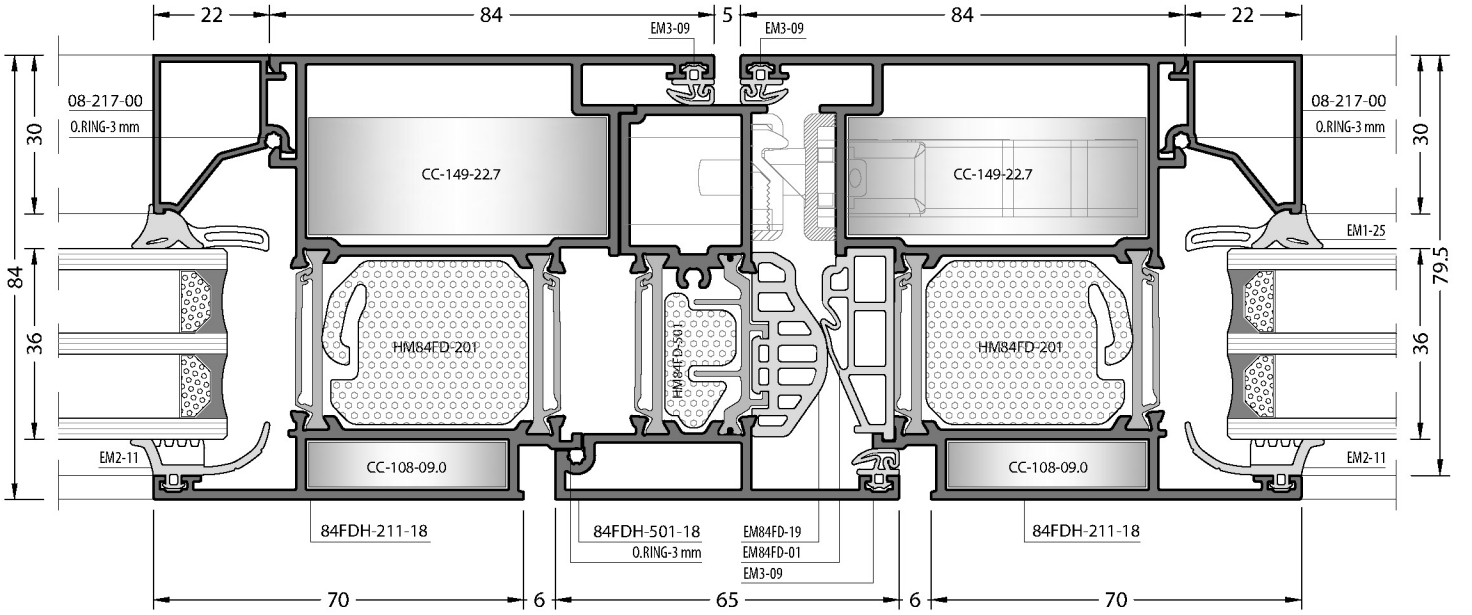
**SEMI PANEL DOOR / YARI PANEL KAPI  
INWARD / İÇE AÇILIR**



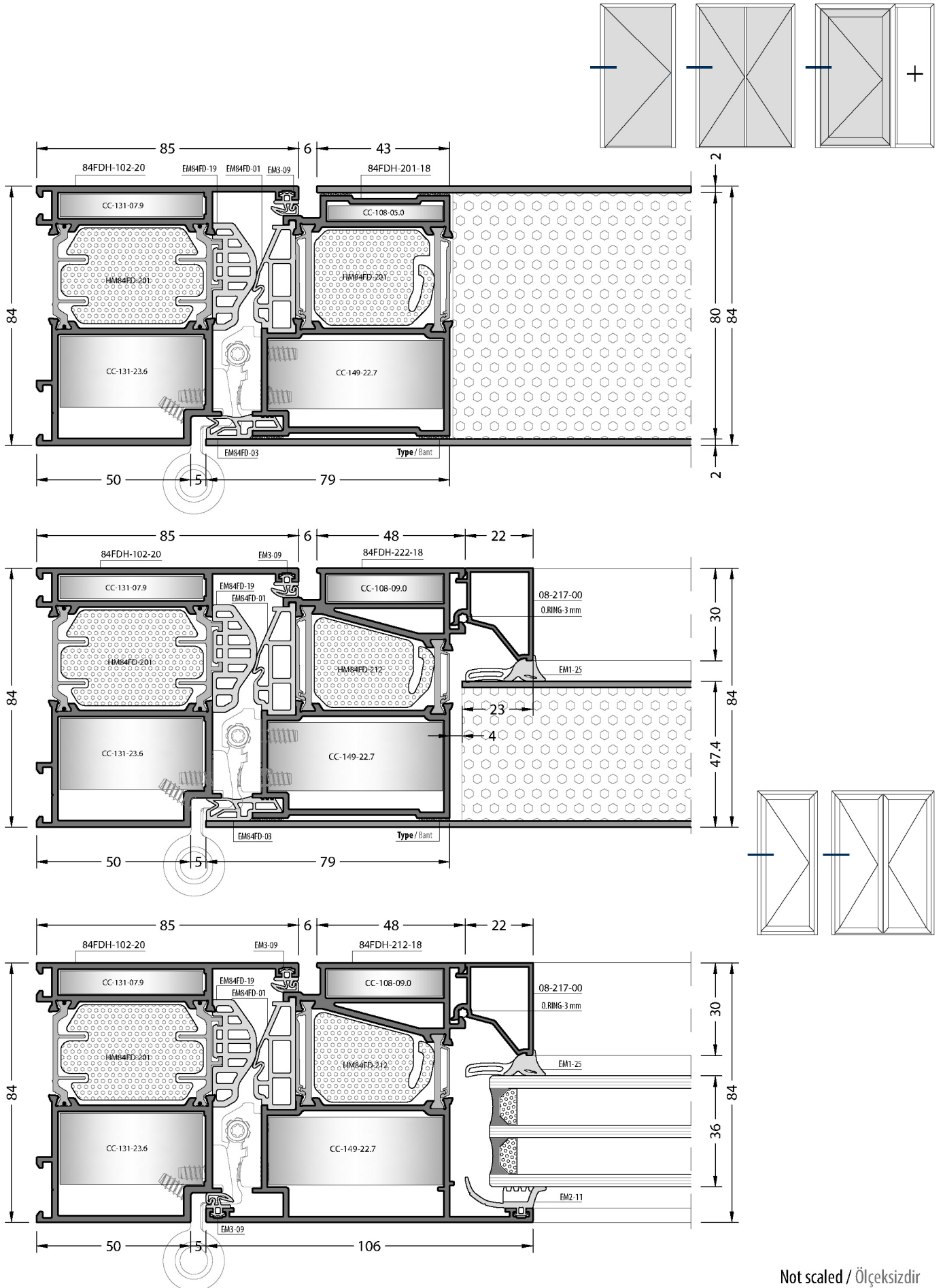
Not scaled / Ölçeksizdir



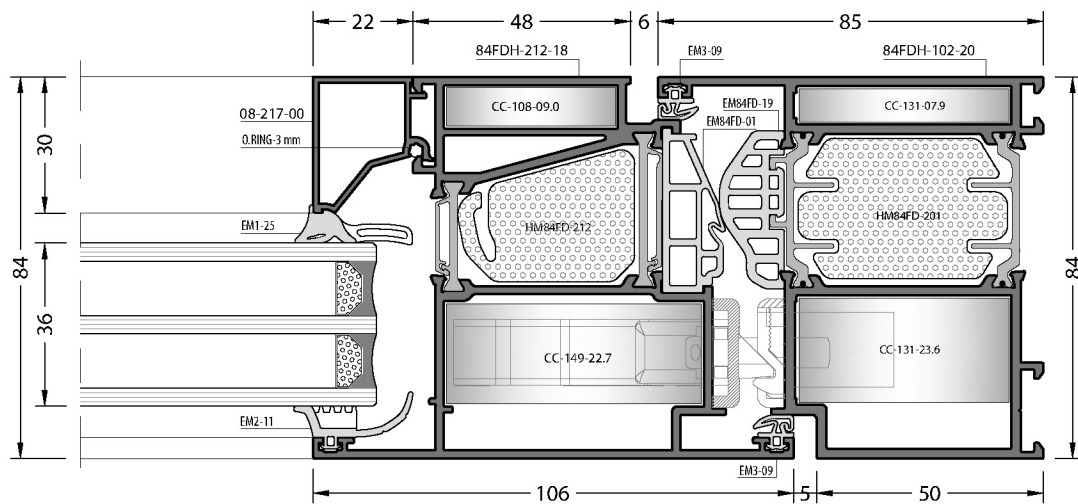
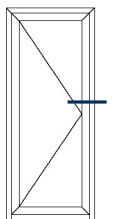
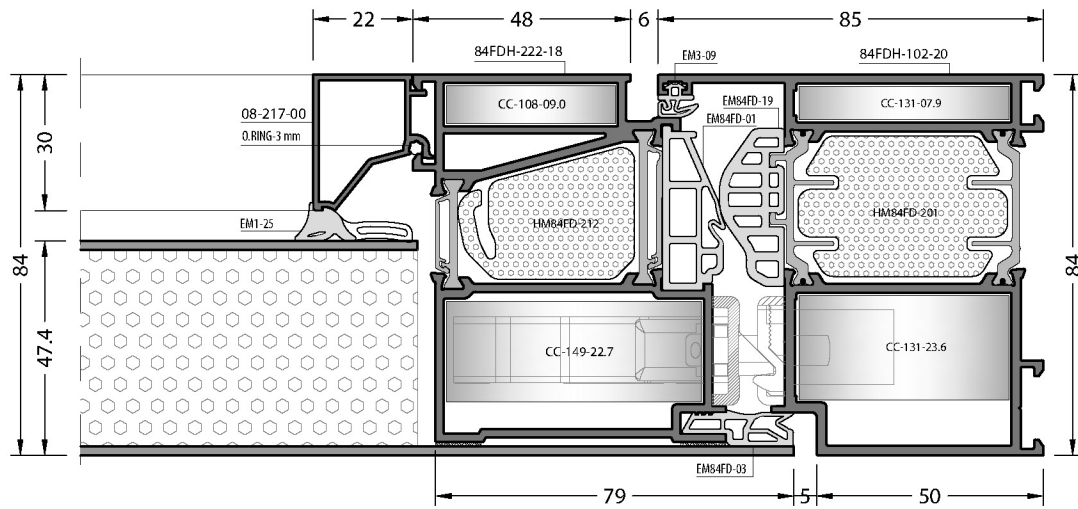
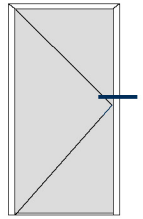
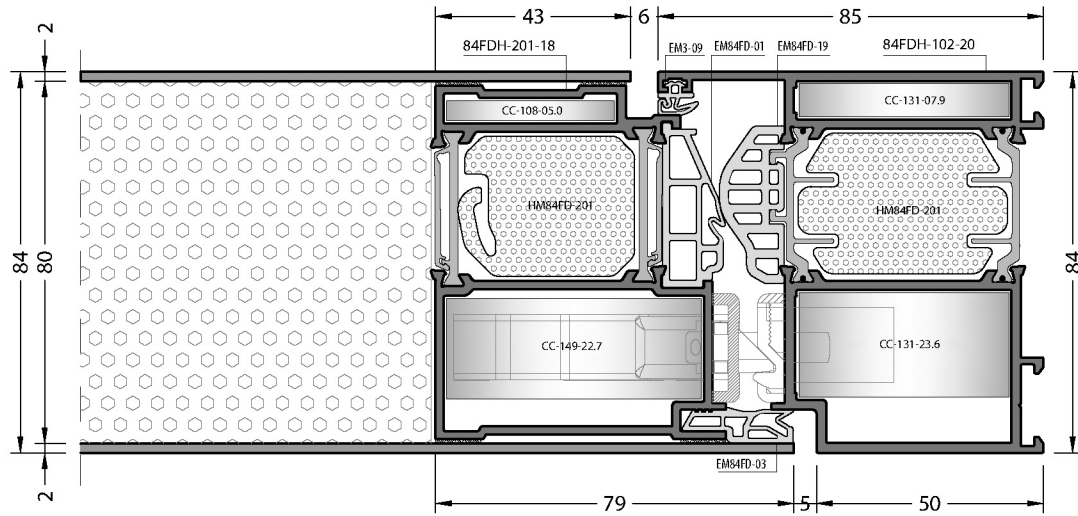
**DOOR WITH GLASS / CAMLI KAPI**  
**INWARD / İÇE AÇILIR**



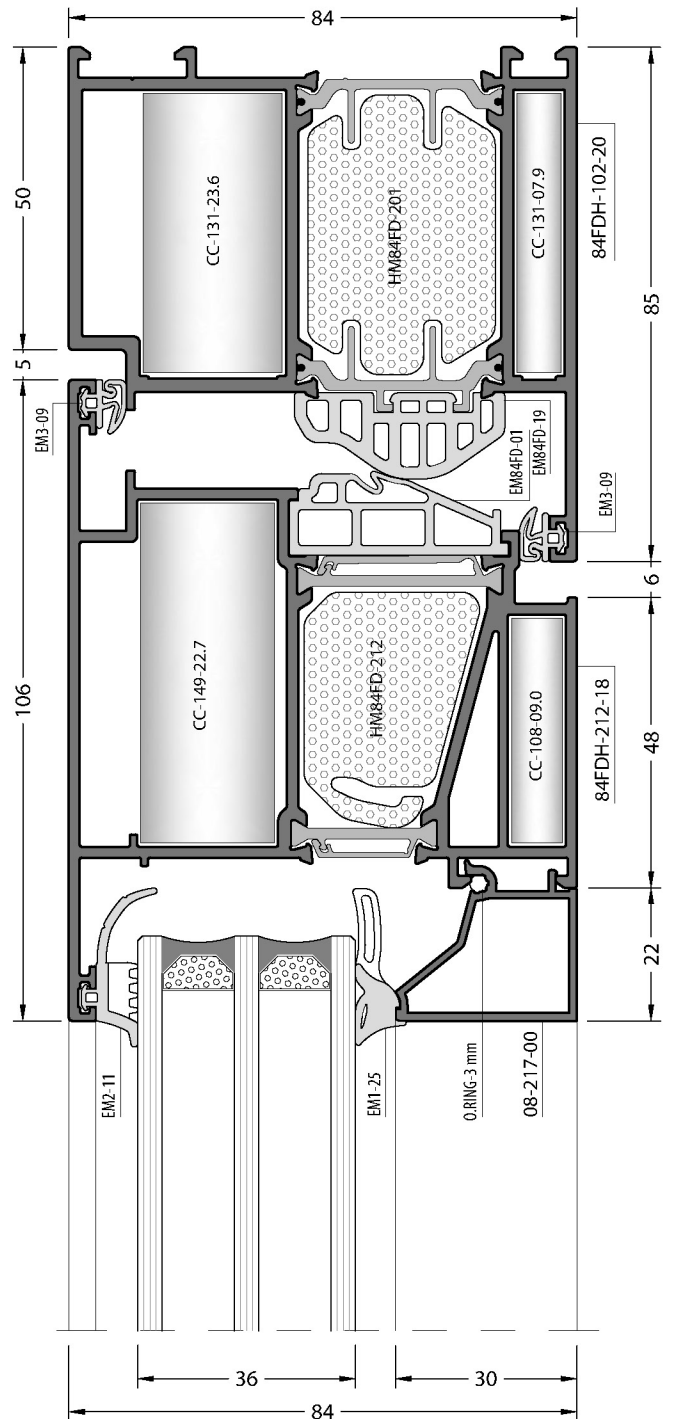
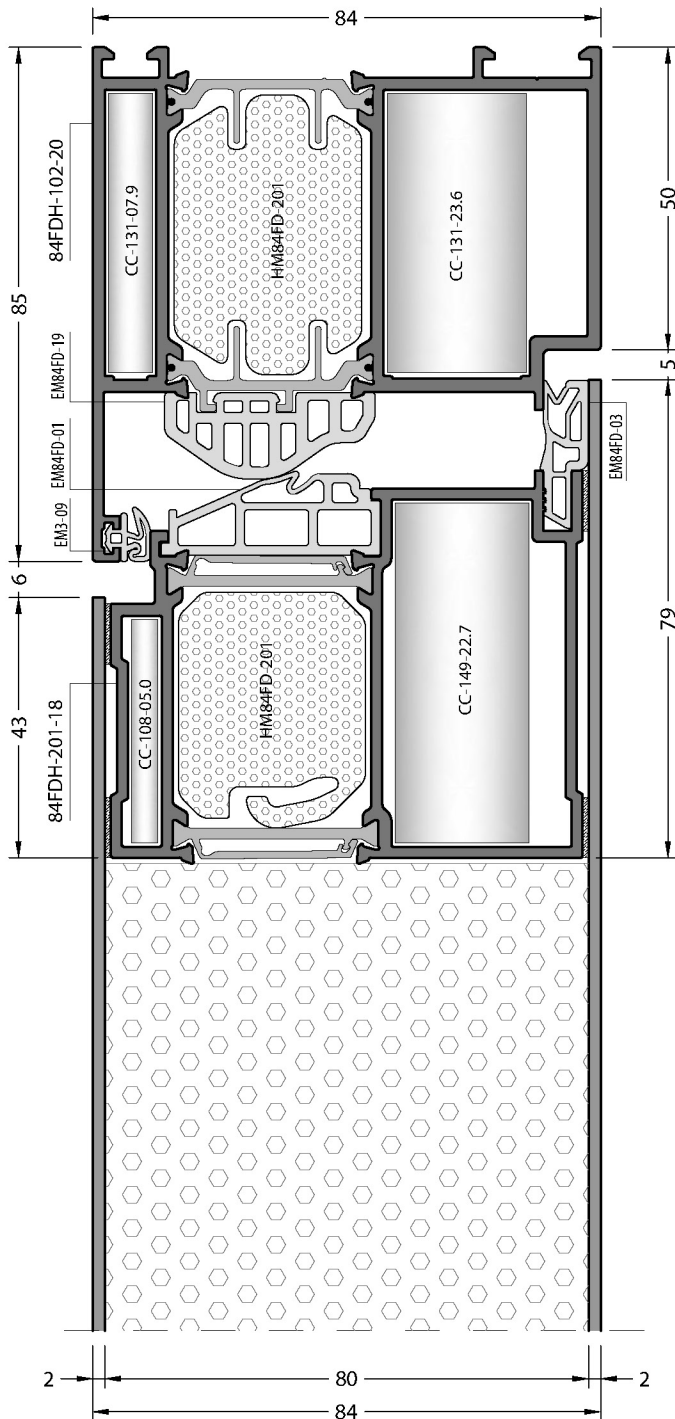
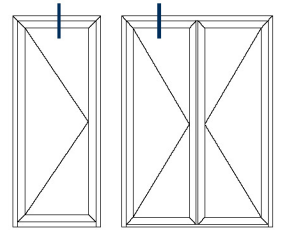
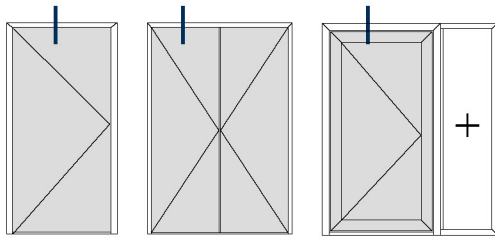
Not scaled / Ölçeksizdir



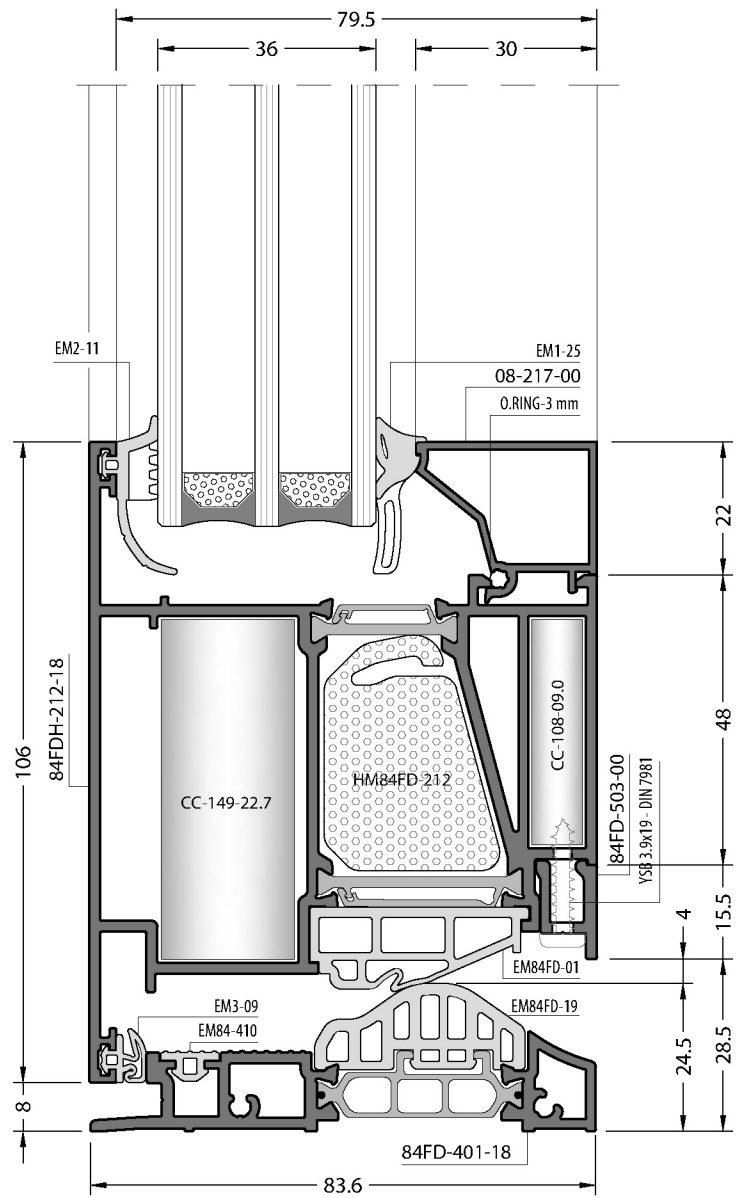
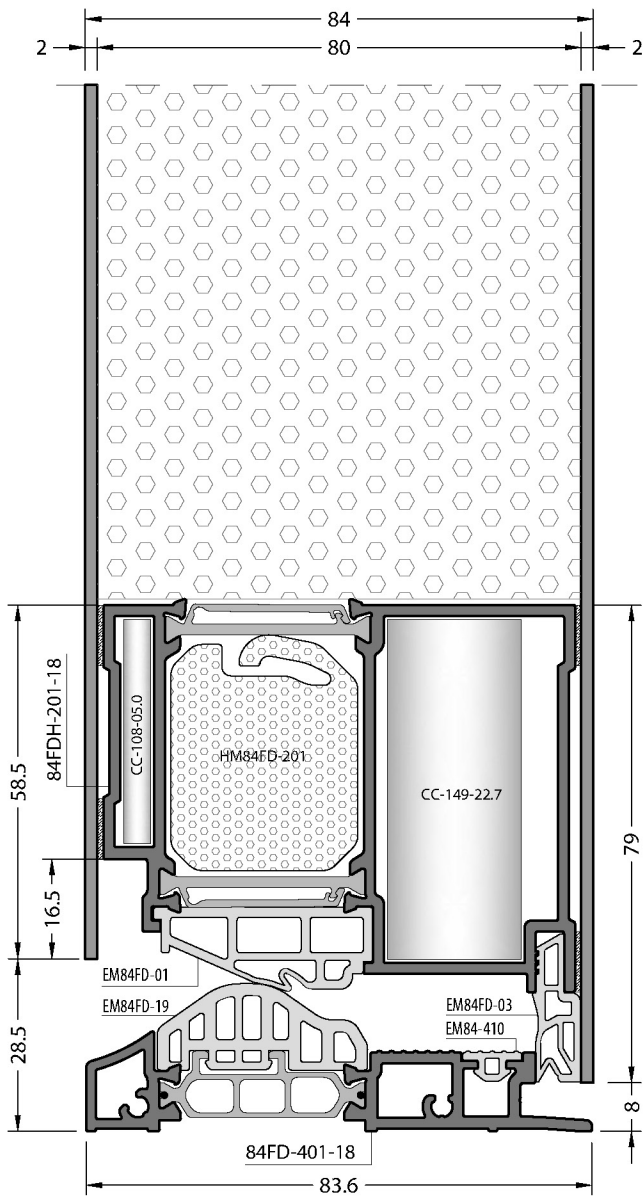
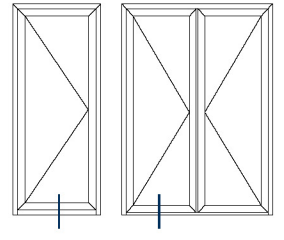
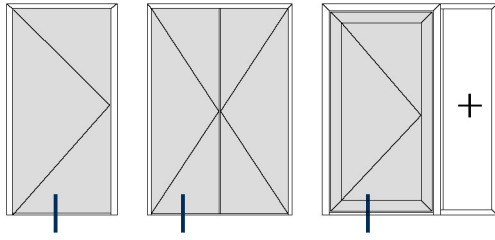
Not scaled / Ölçeksizdir



Not scaled / Ölçeksizdir

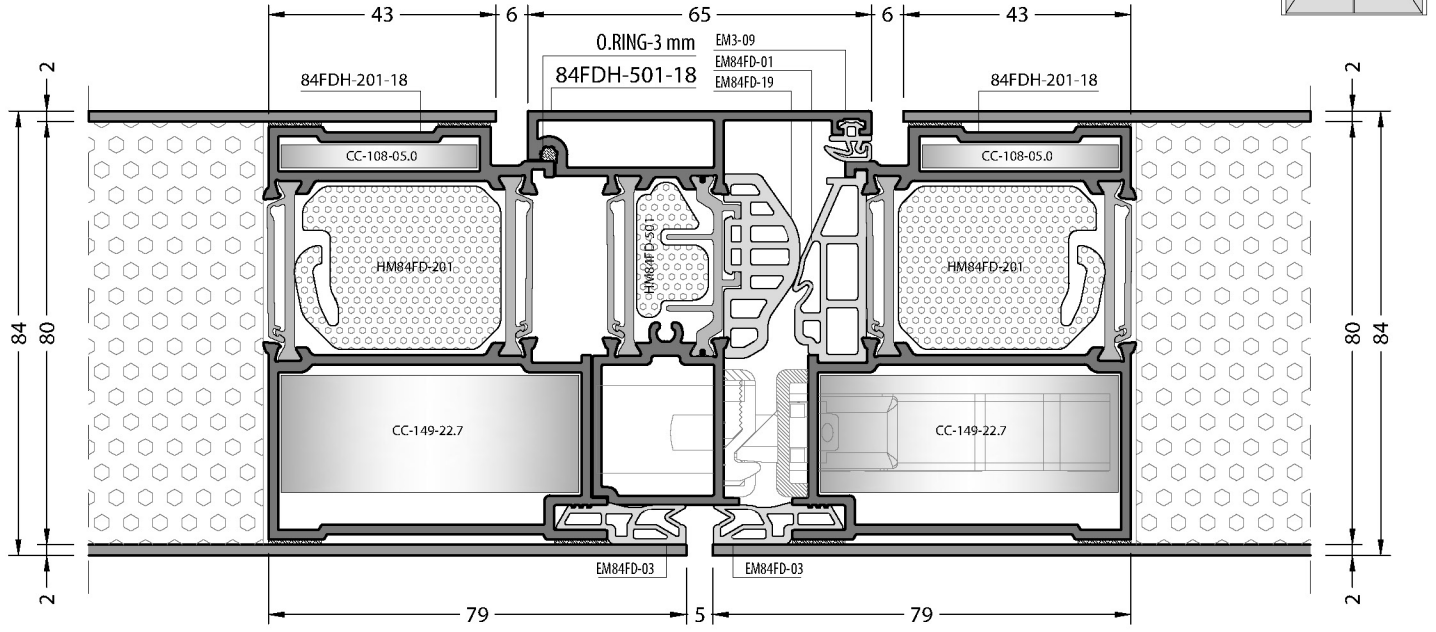


Not scaled / Ölçeksizdir

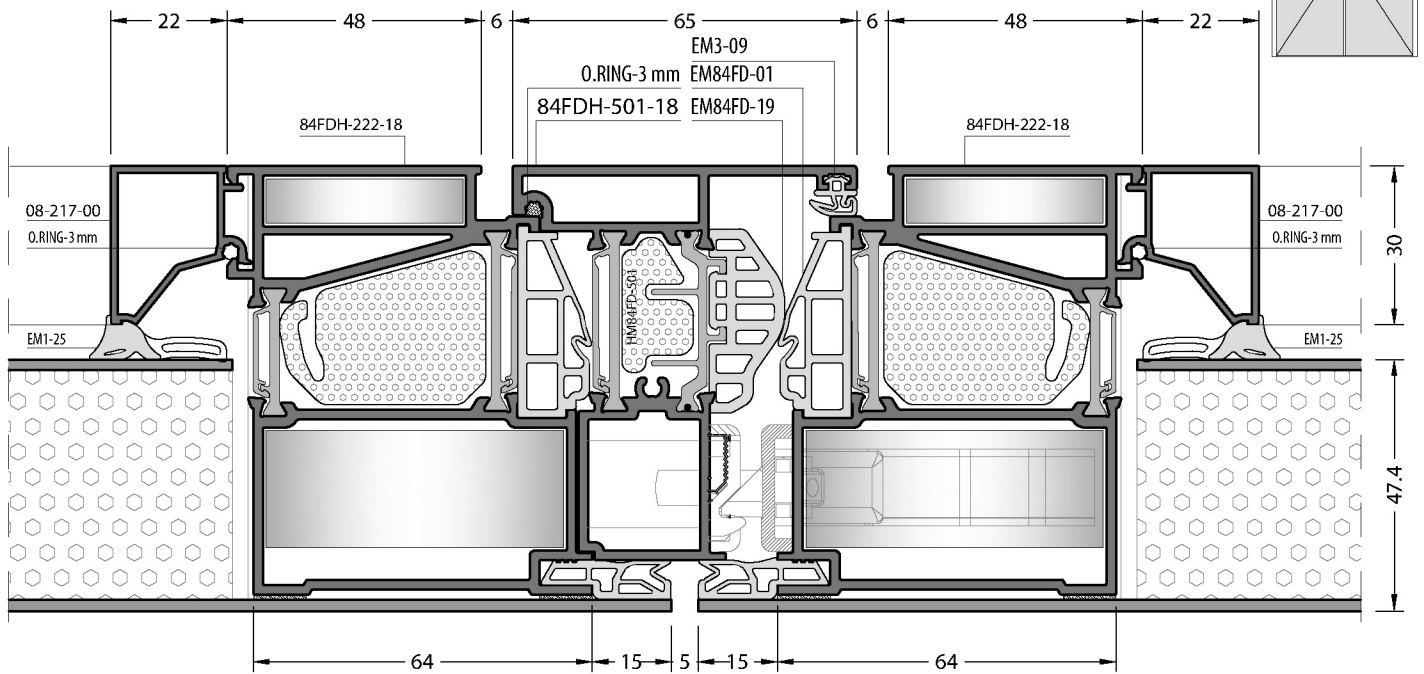


Not scaled / Ölçeksizdir

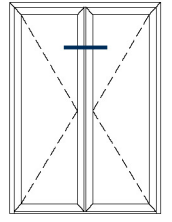
**PANEL DOOR / PANEL KAPI**



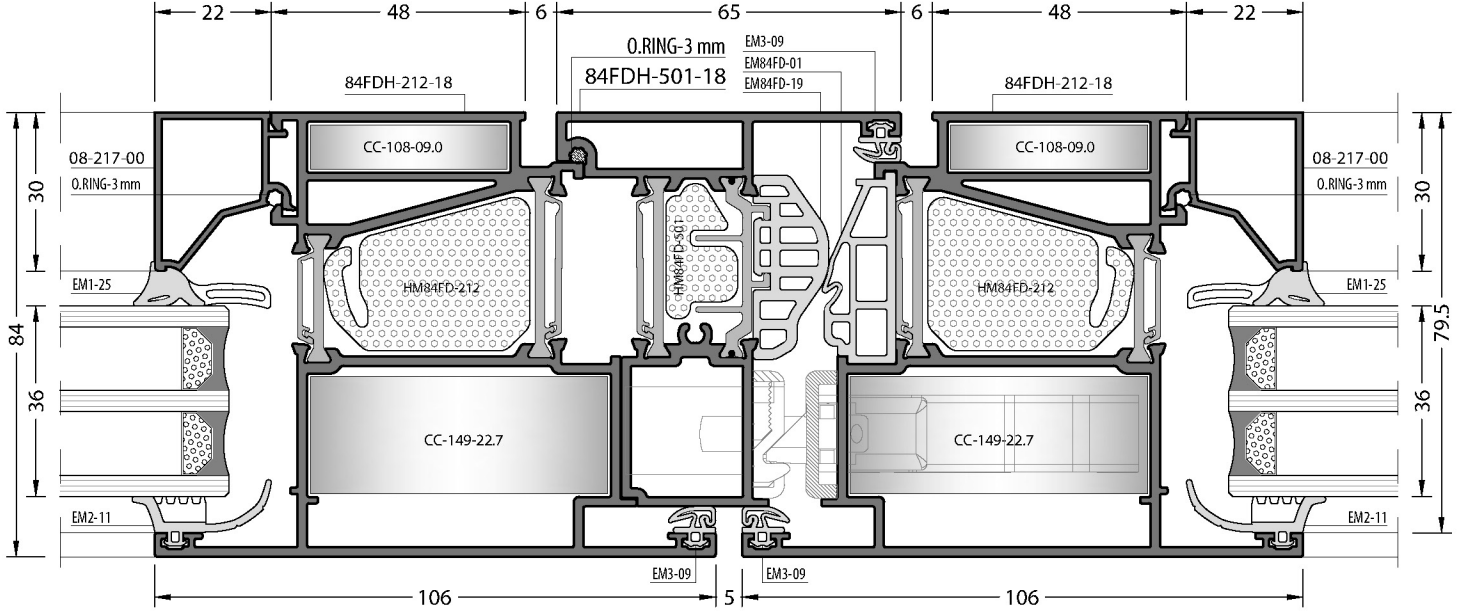
**SEMI PANEL DOOR / YARI PANEL KAPI  
OUTWARD / DIŞA AÇILIR**



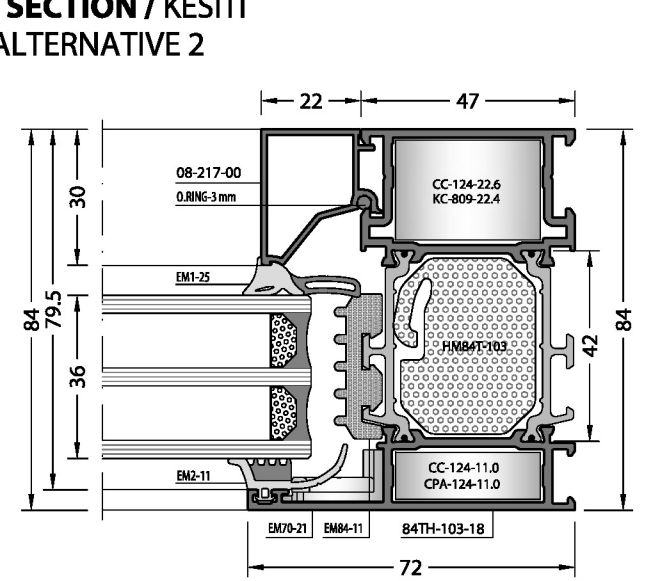
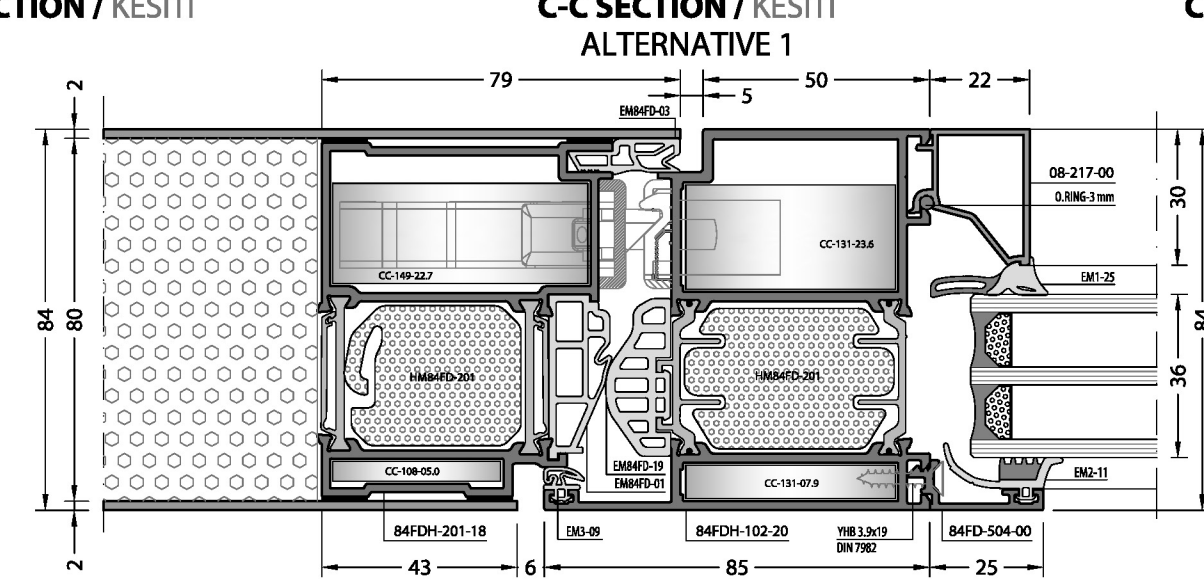
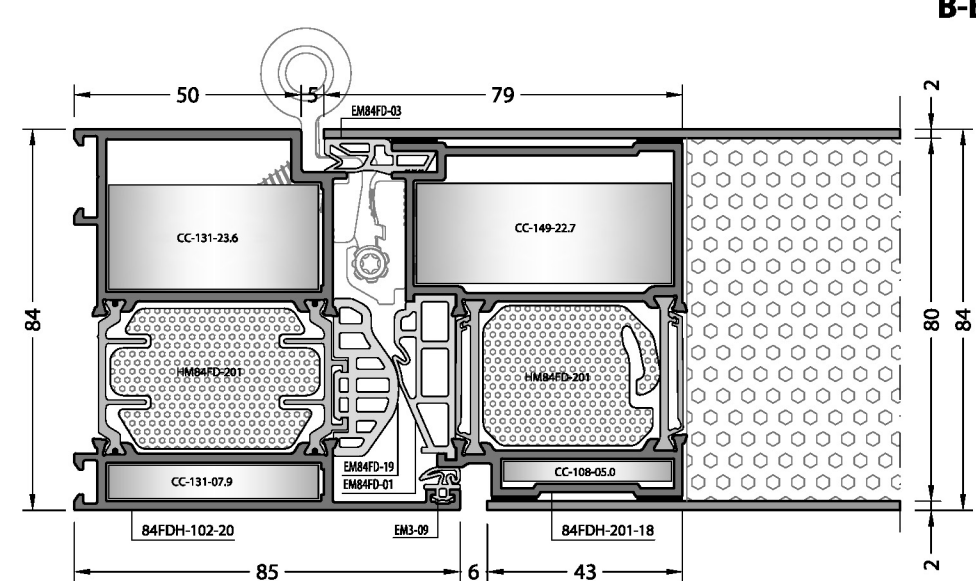
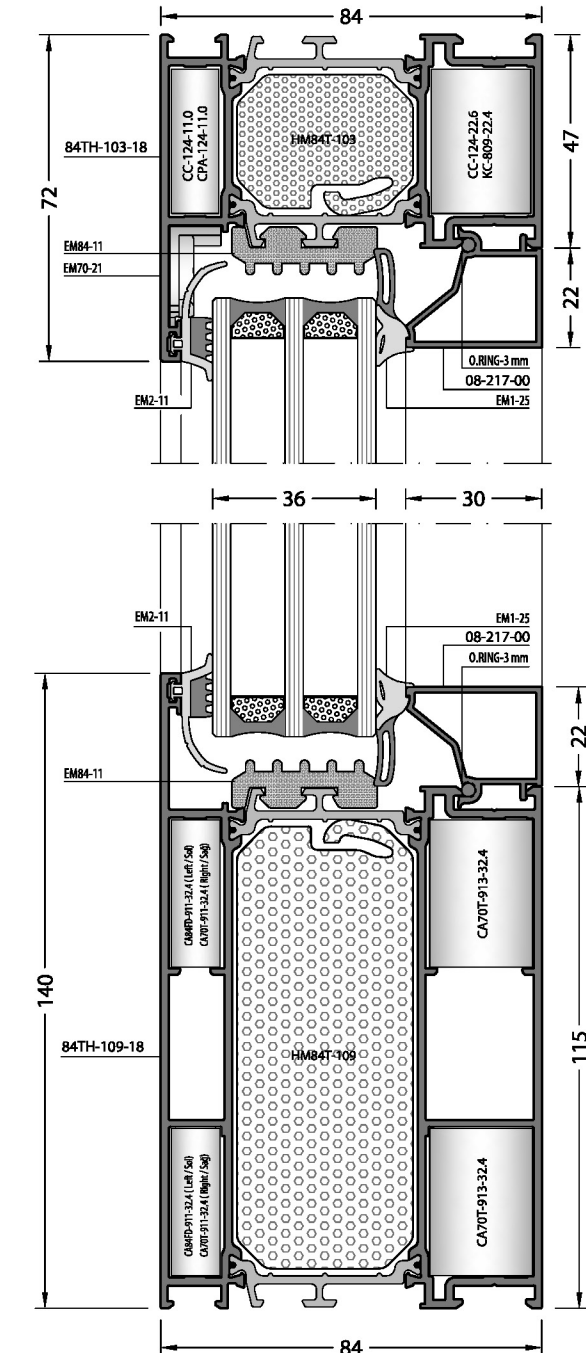
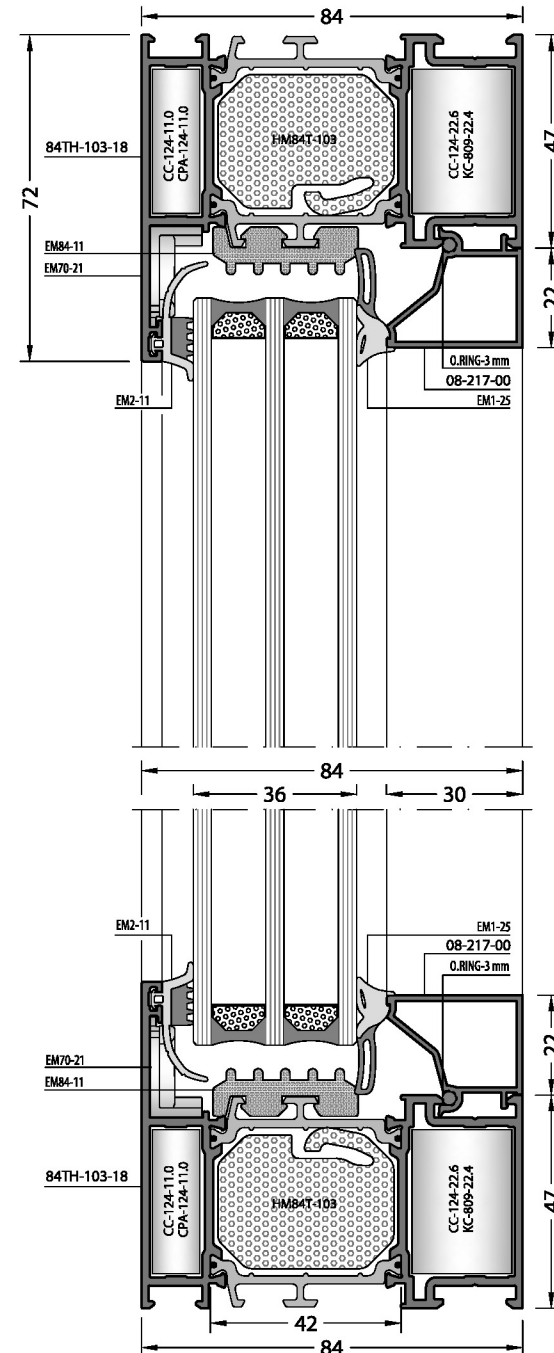
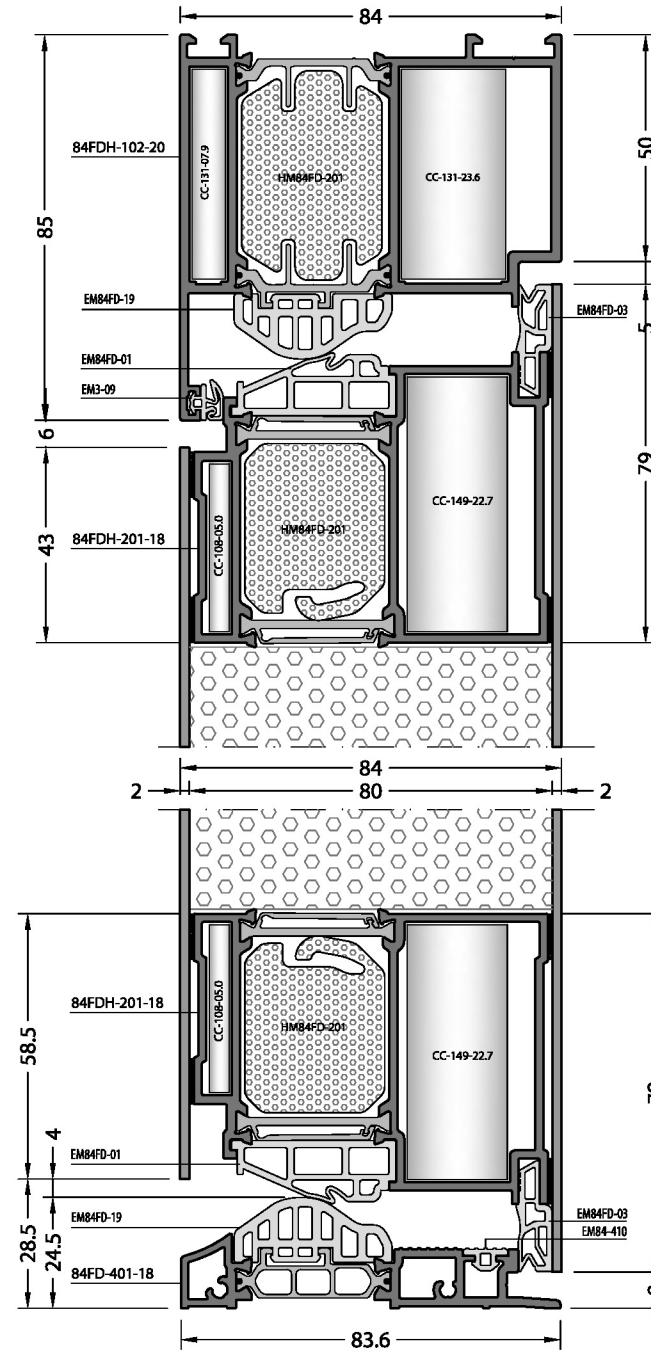
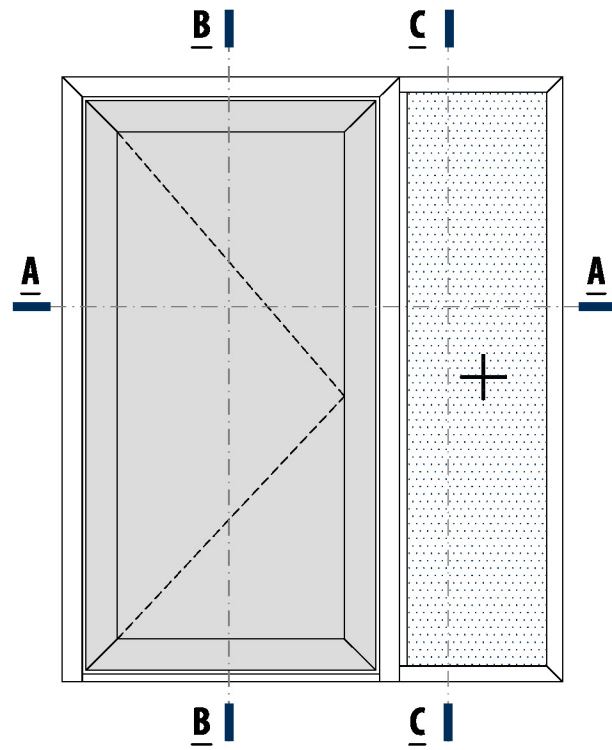
Not scaled / Ölçeksizdir



**DOOR WITH GLASS / CAMLI KAPI**  
**OUTWARD / DIŞA AÇILIR**

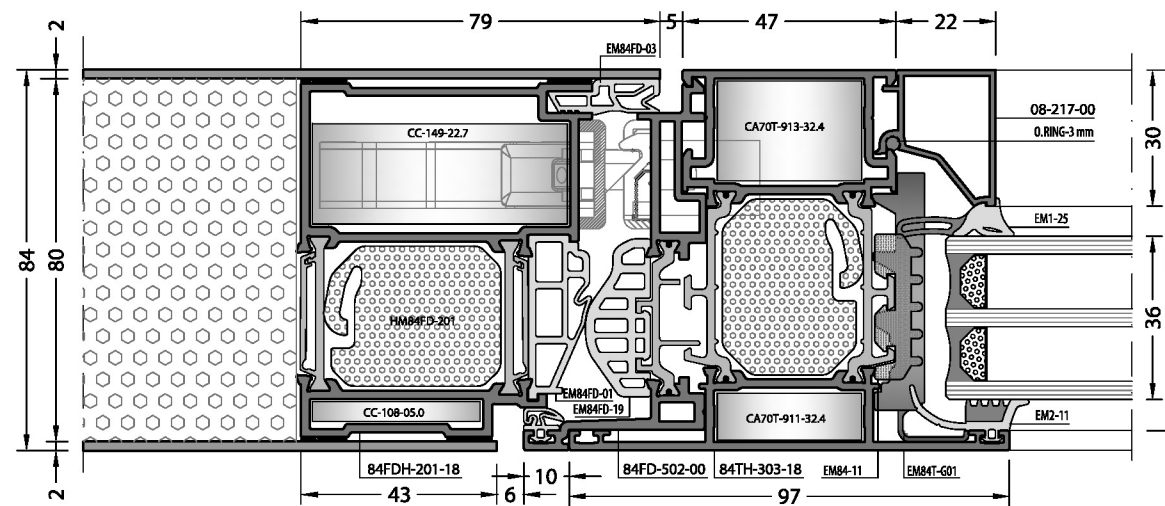
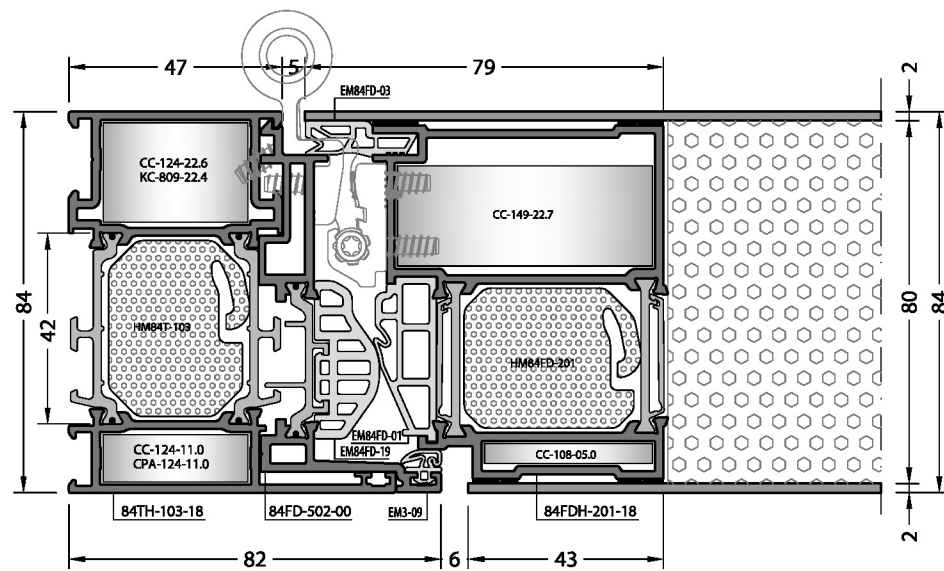
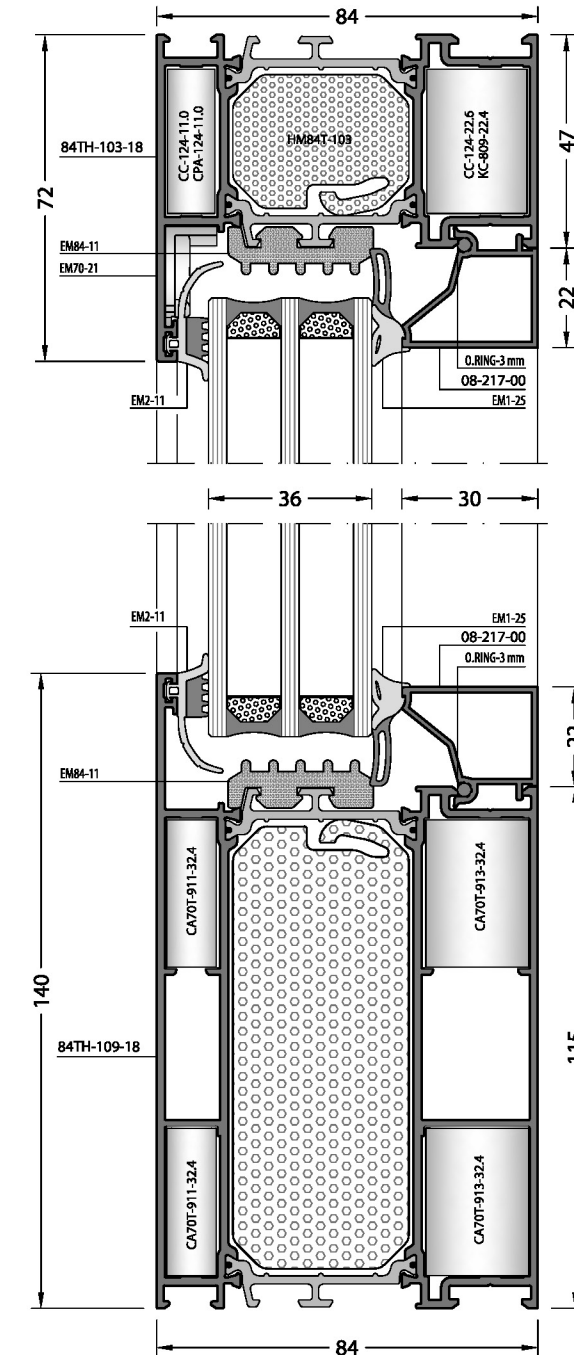
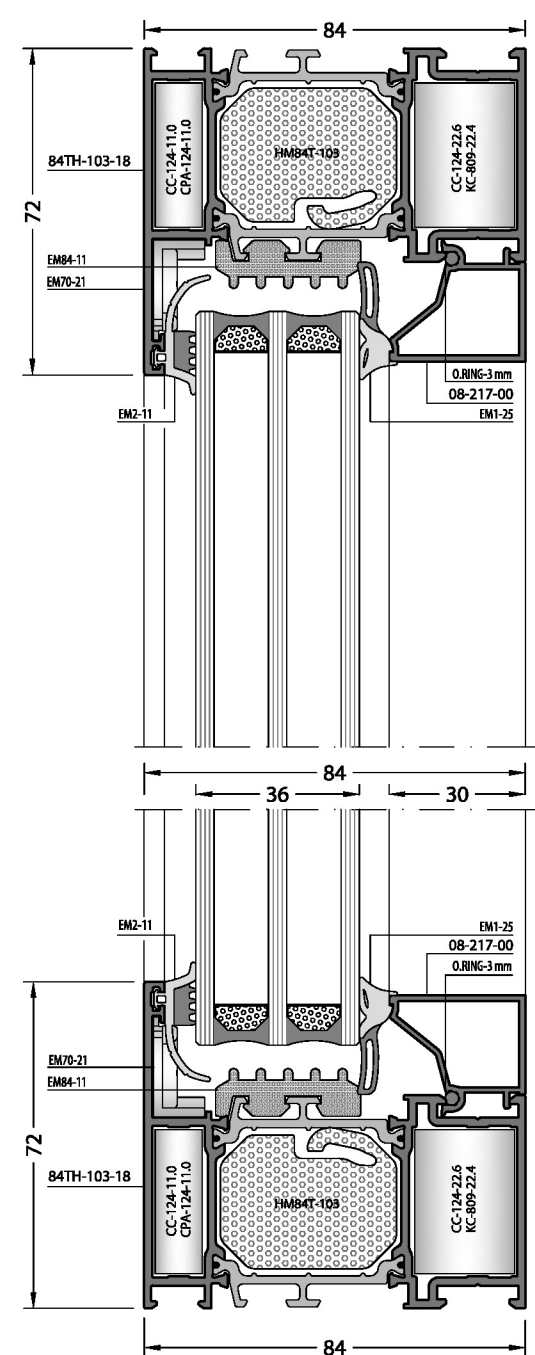
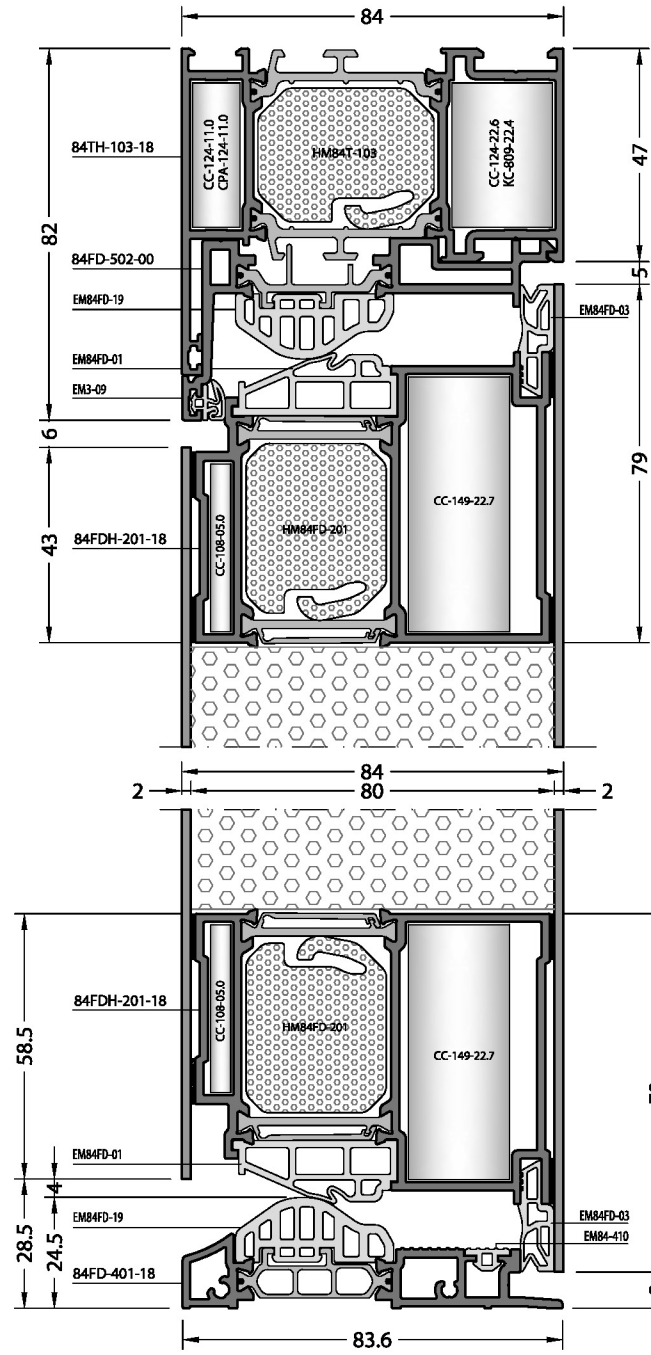
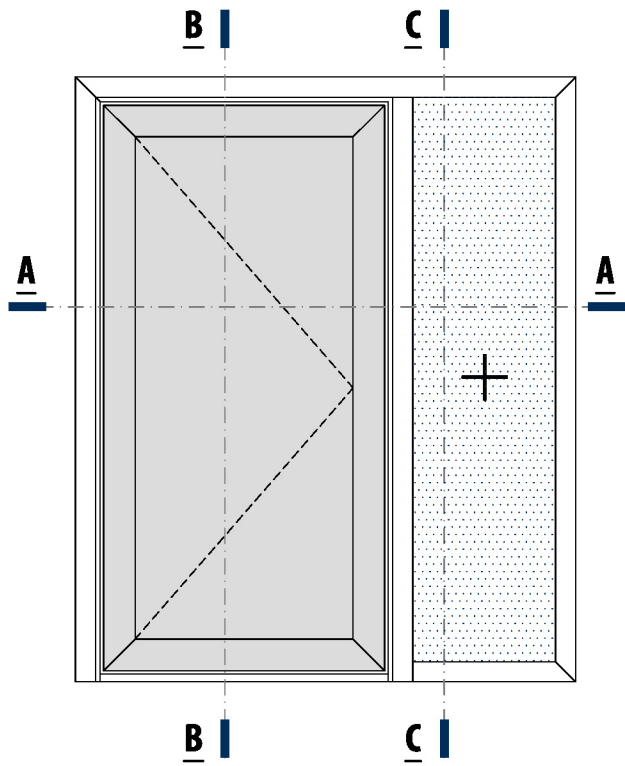


Not scaled / Ölçeksizdir

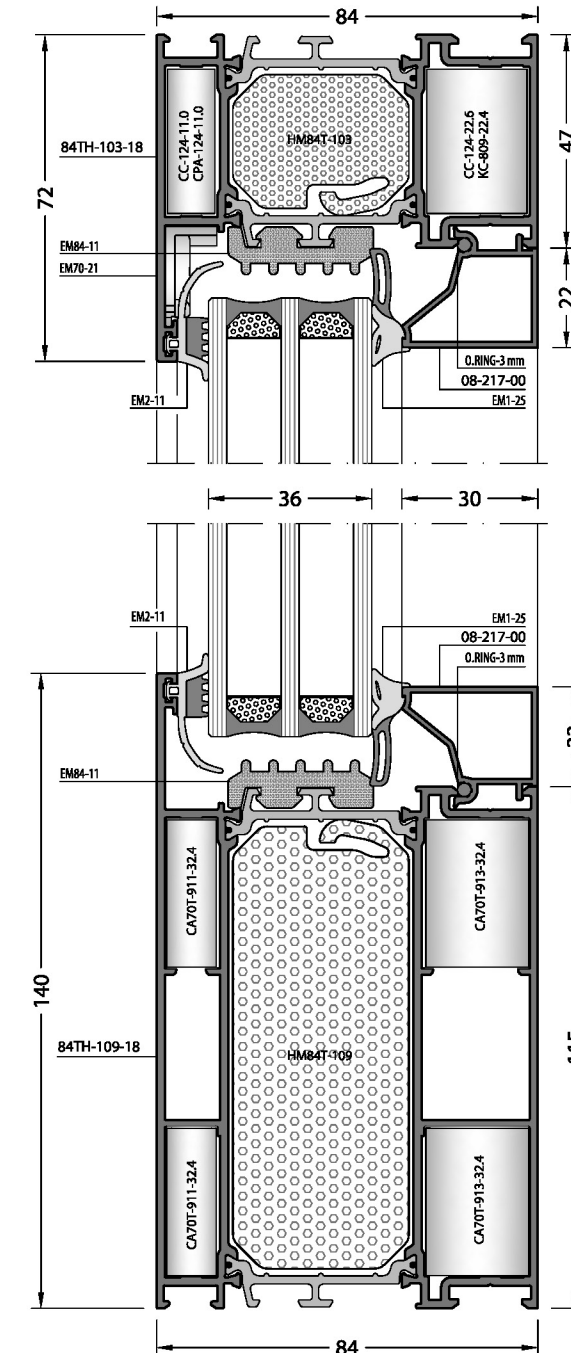
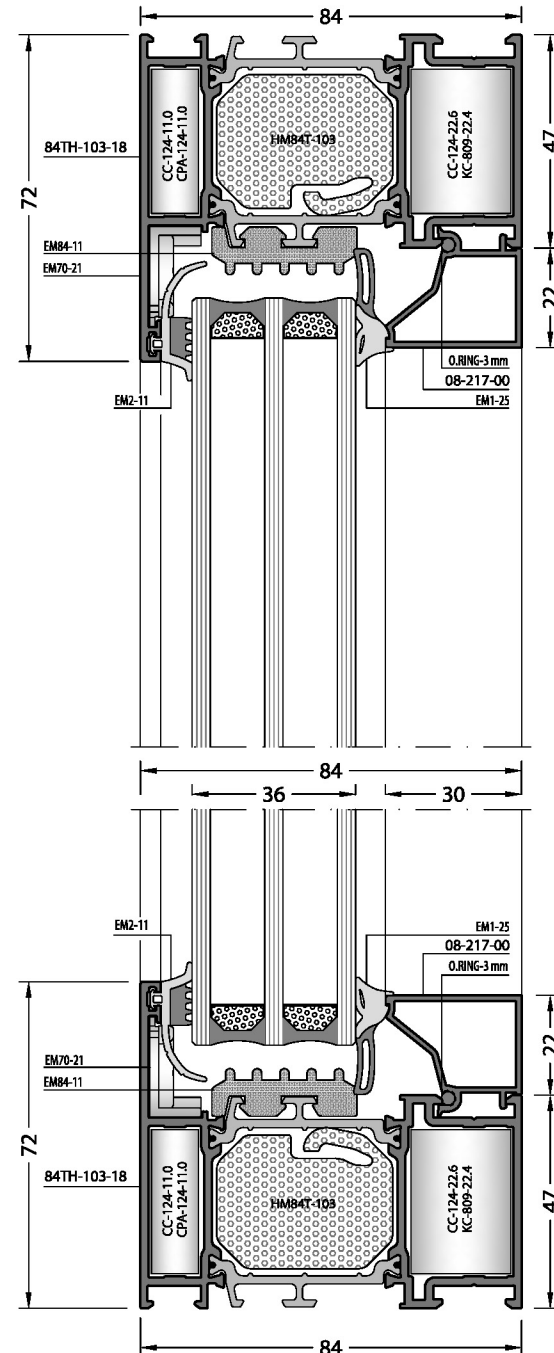
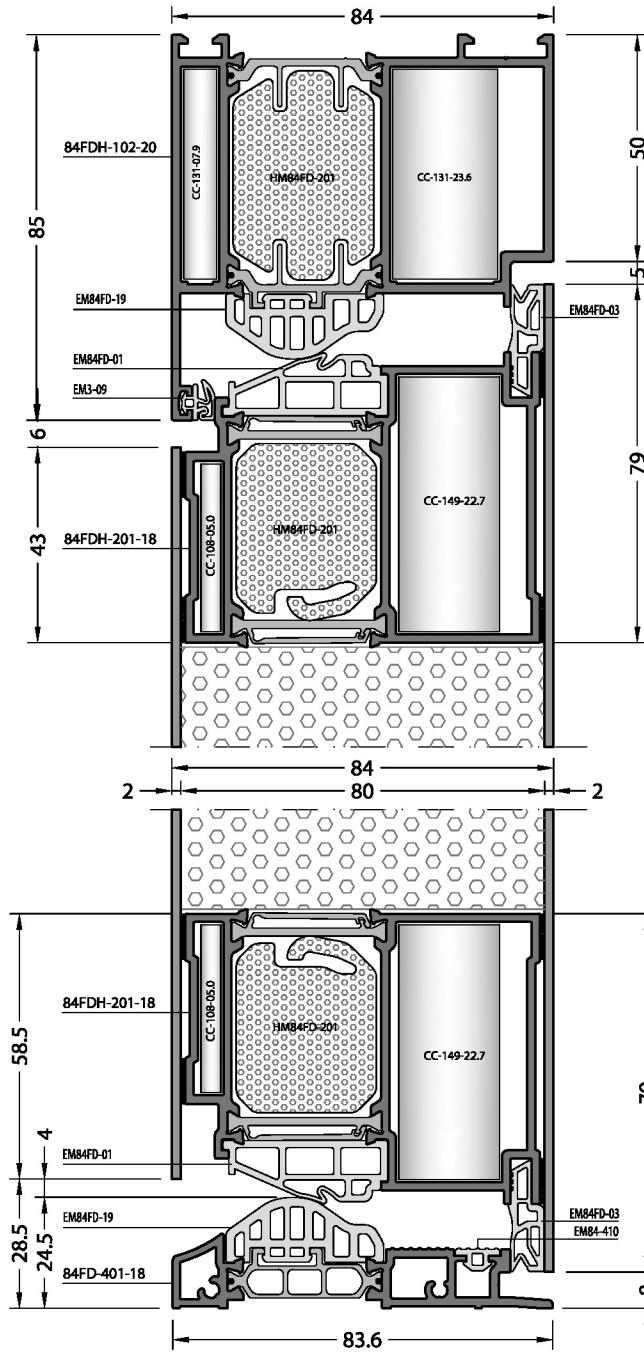
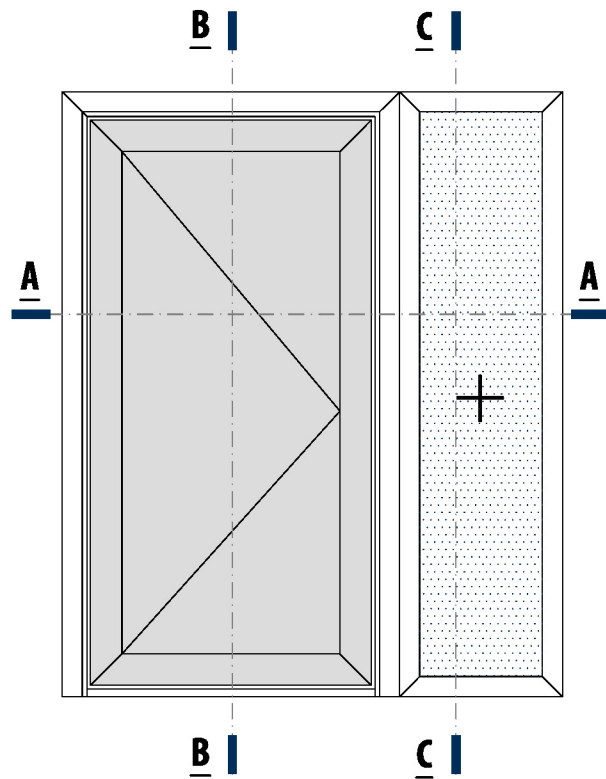


**A-A SECTION / KESİTİ**

Not scaled / Ölçeksizdir



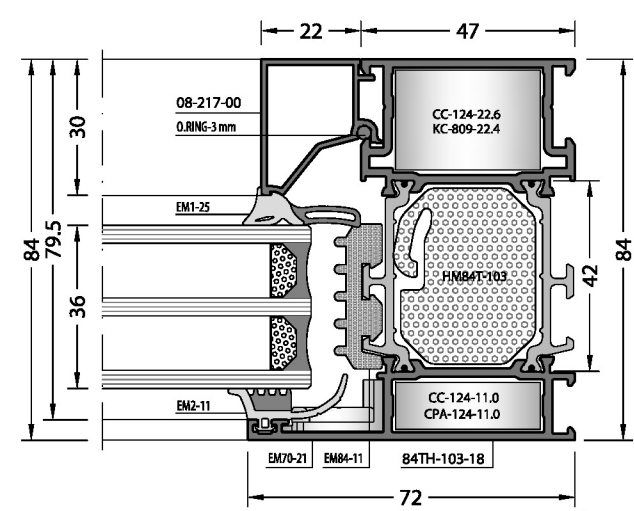
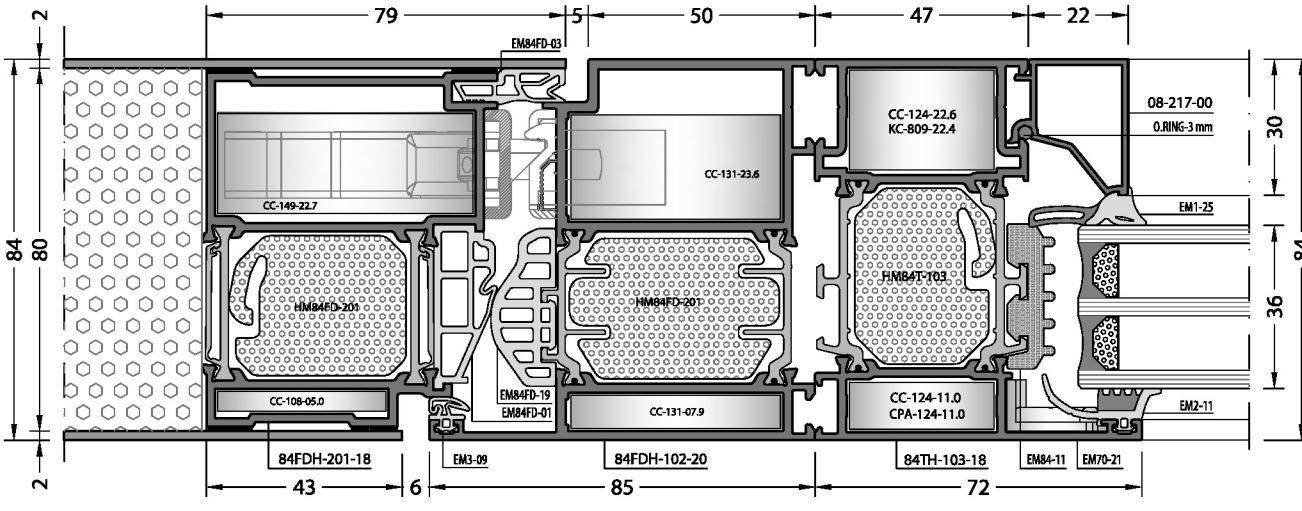
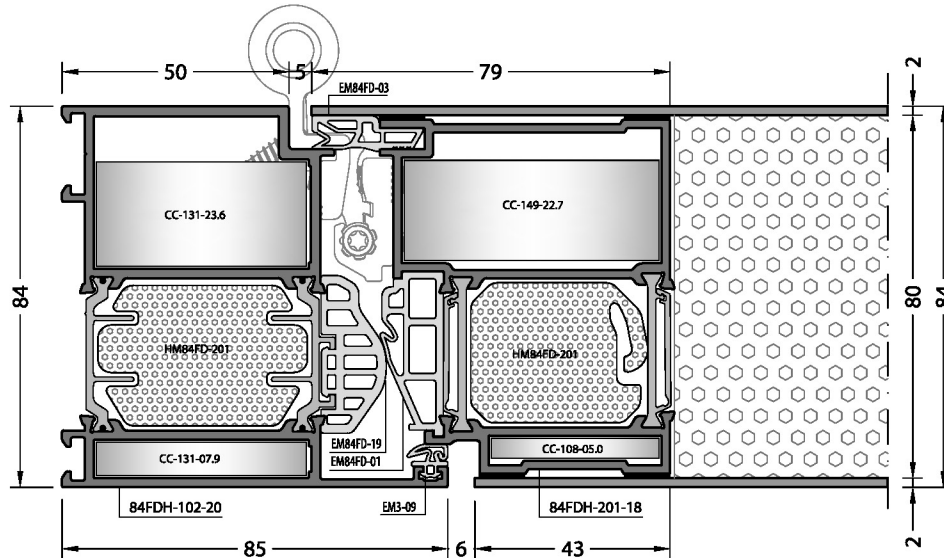
Not scaled / Ölçeksizdir



**B-B SECTION / KESİTİ**

**C-C SECTION / KESİTİ ALTERNATIVE 1**

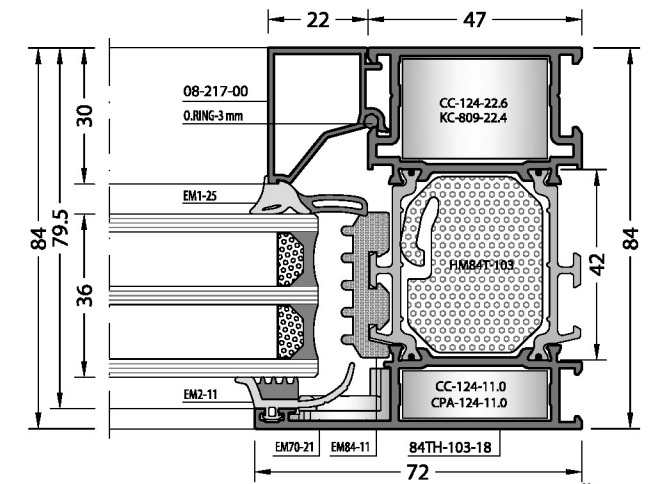
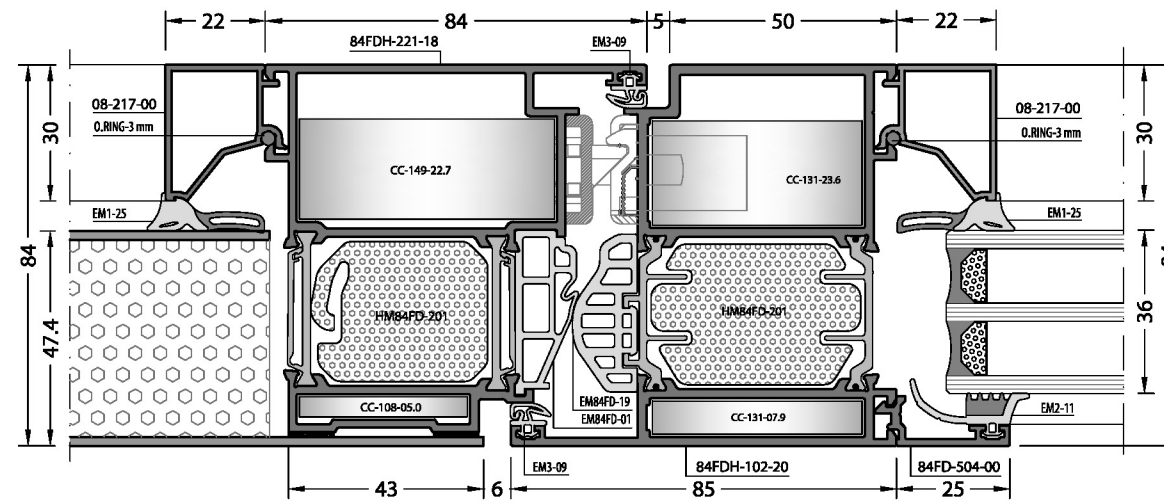
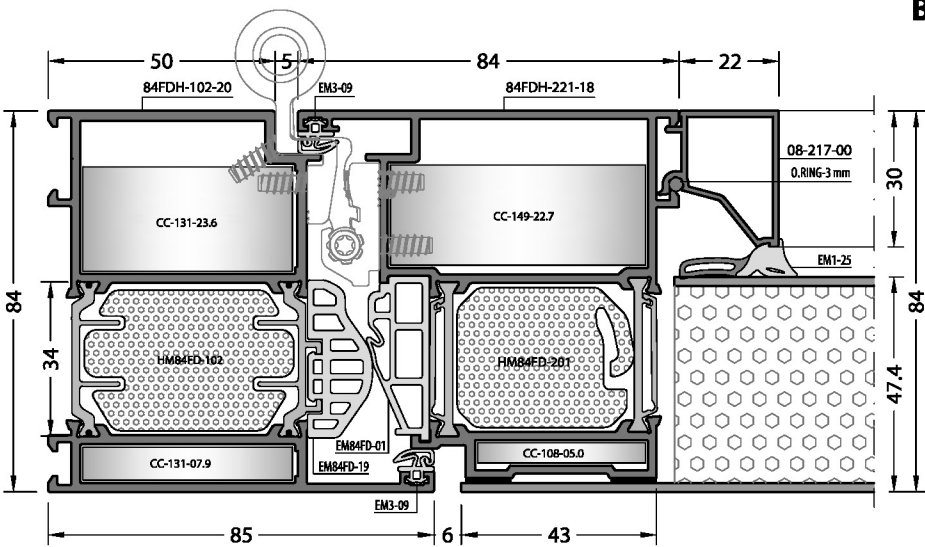
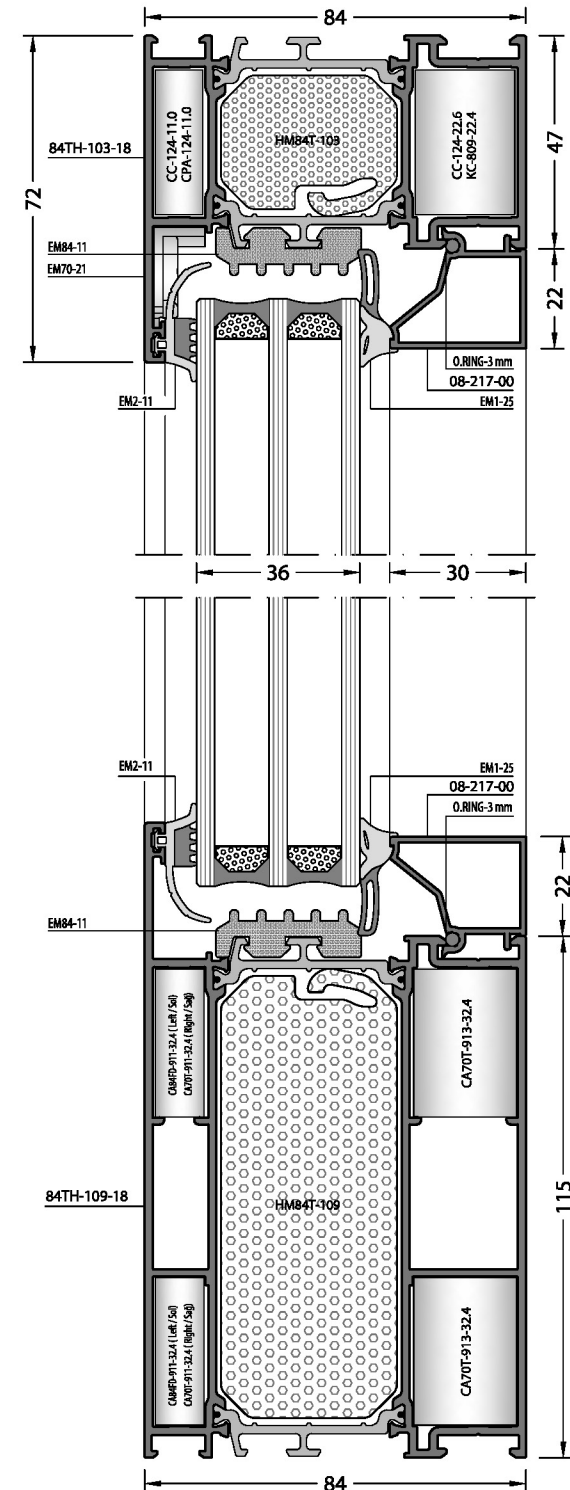
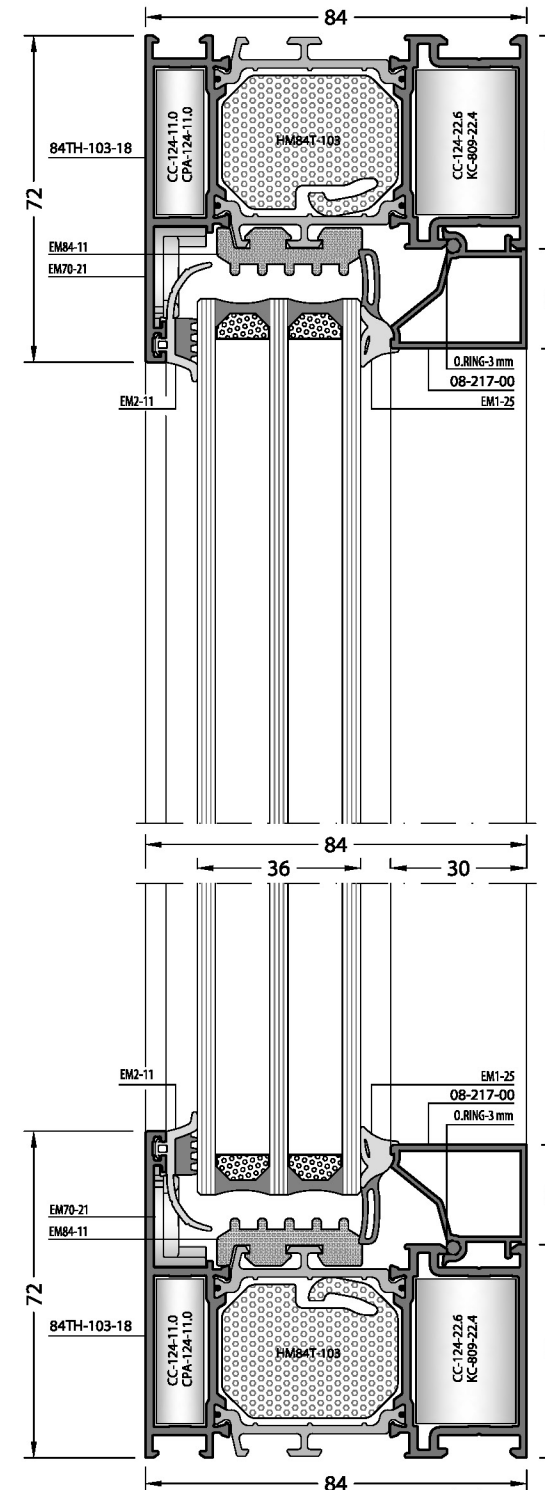
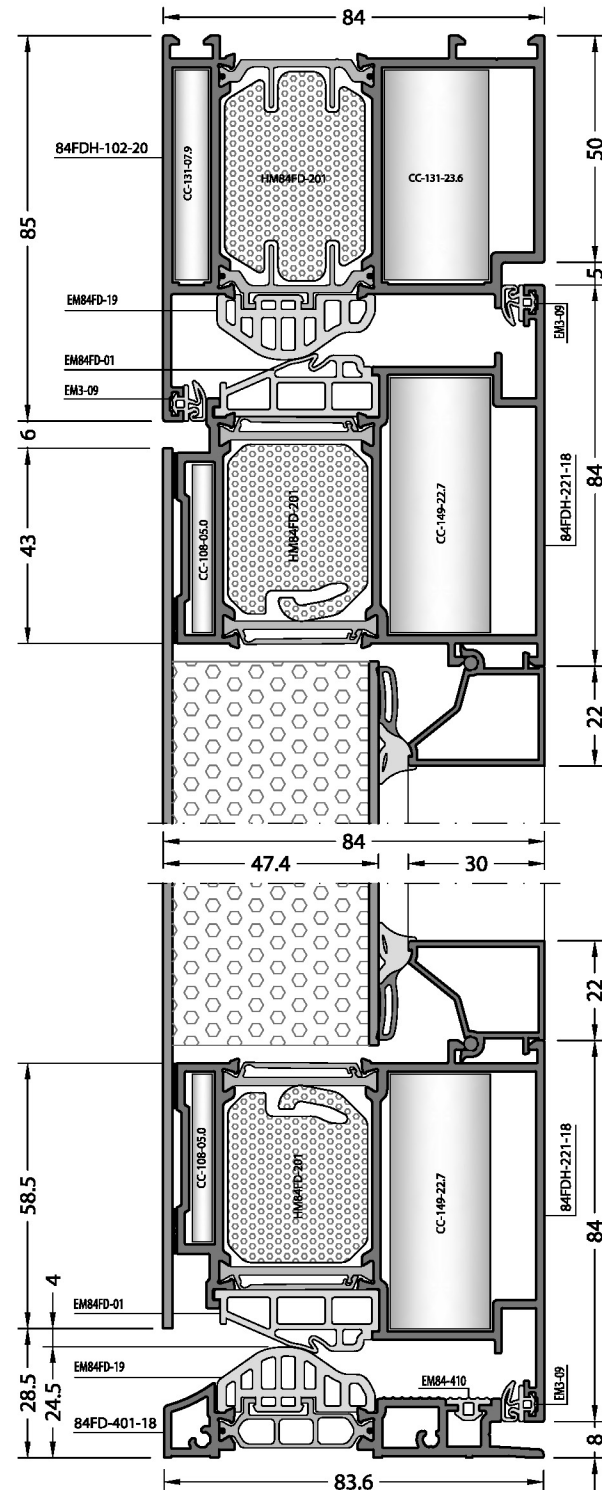
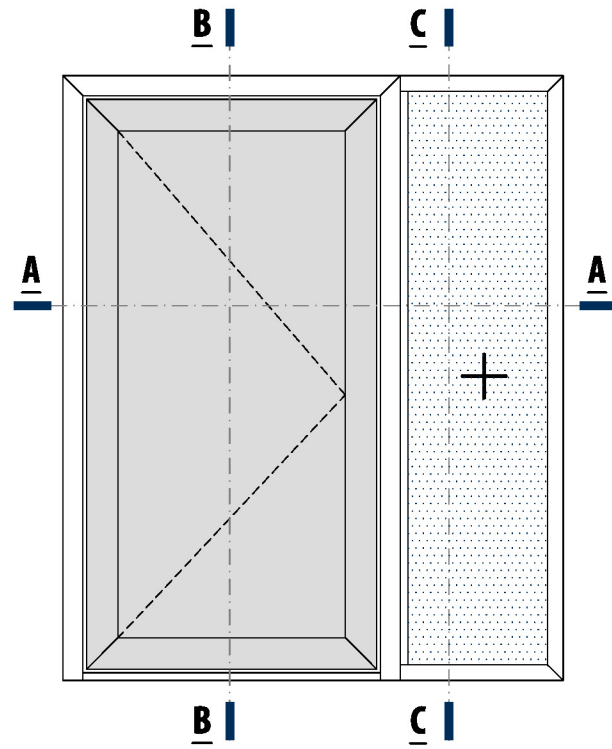
**C-C SECTION / KESİTİ ALTERNATIVE 2**



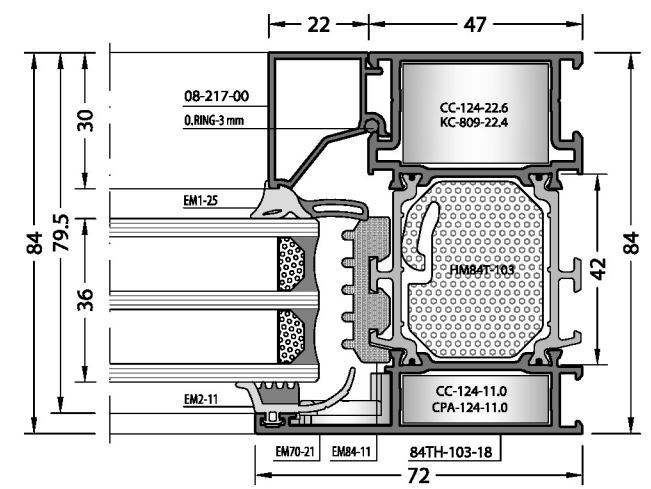
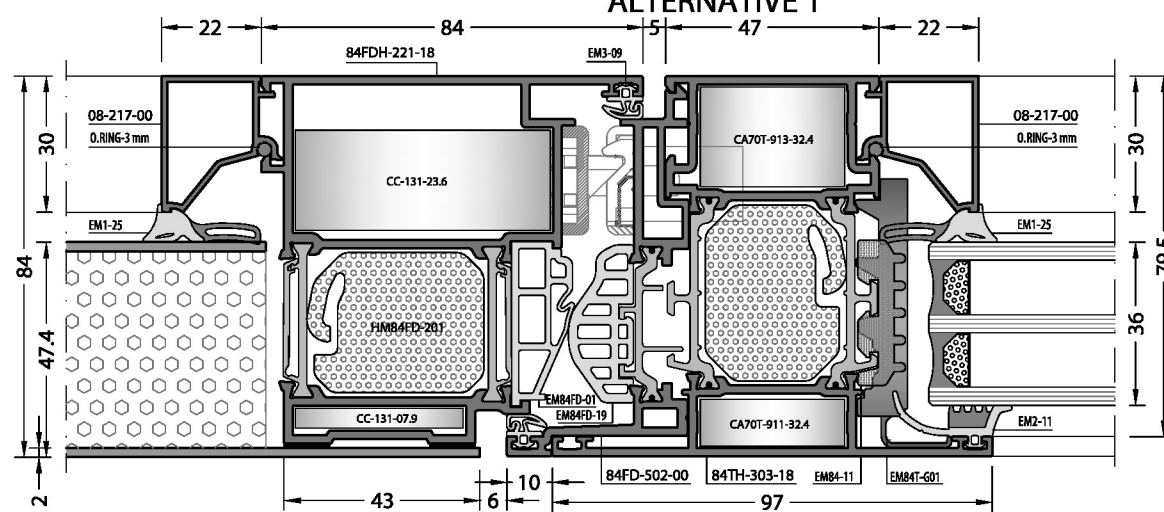
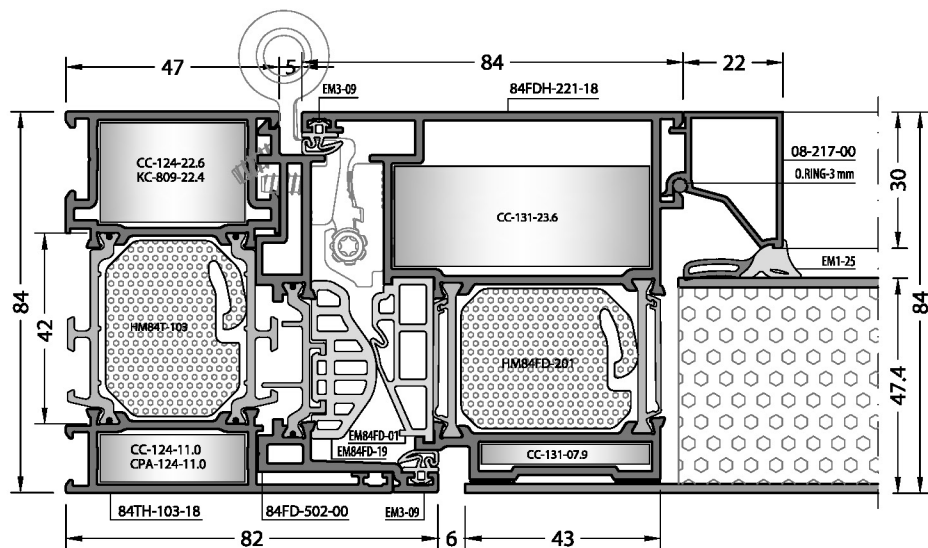
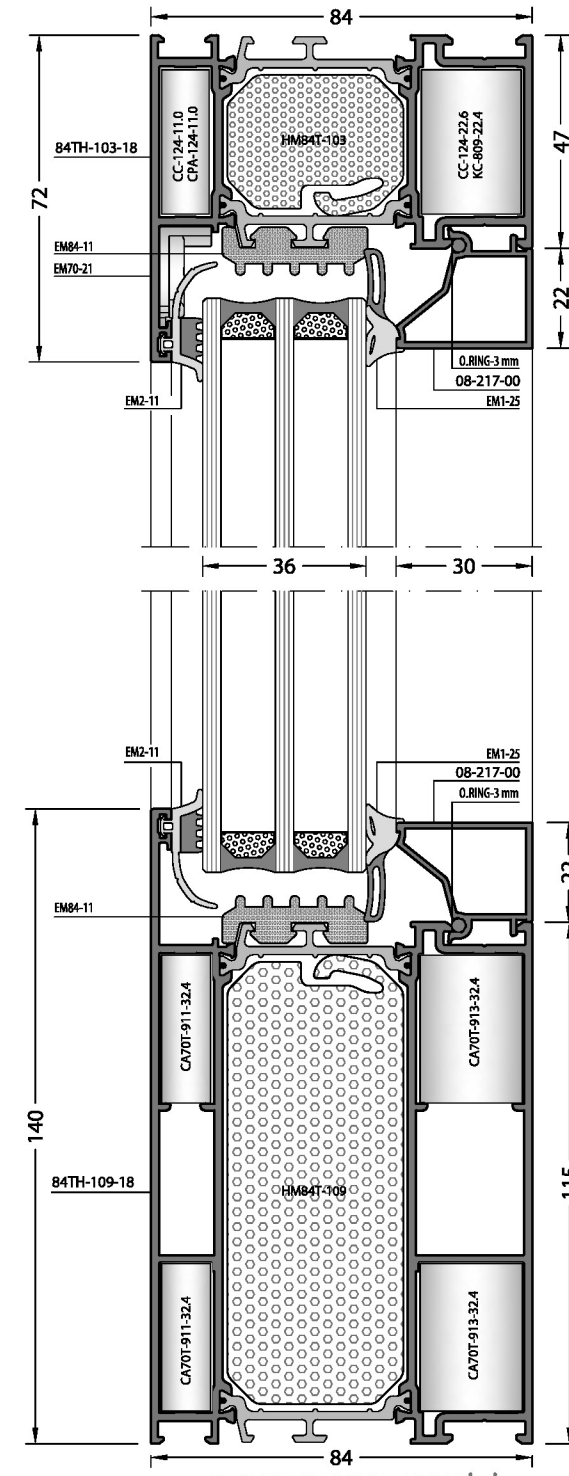
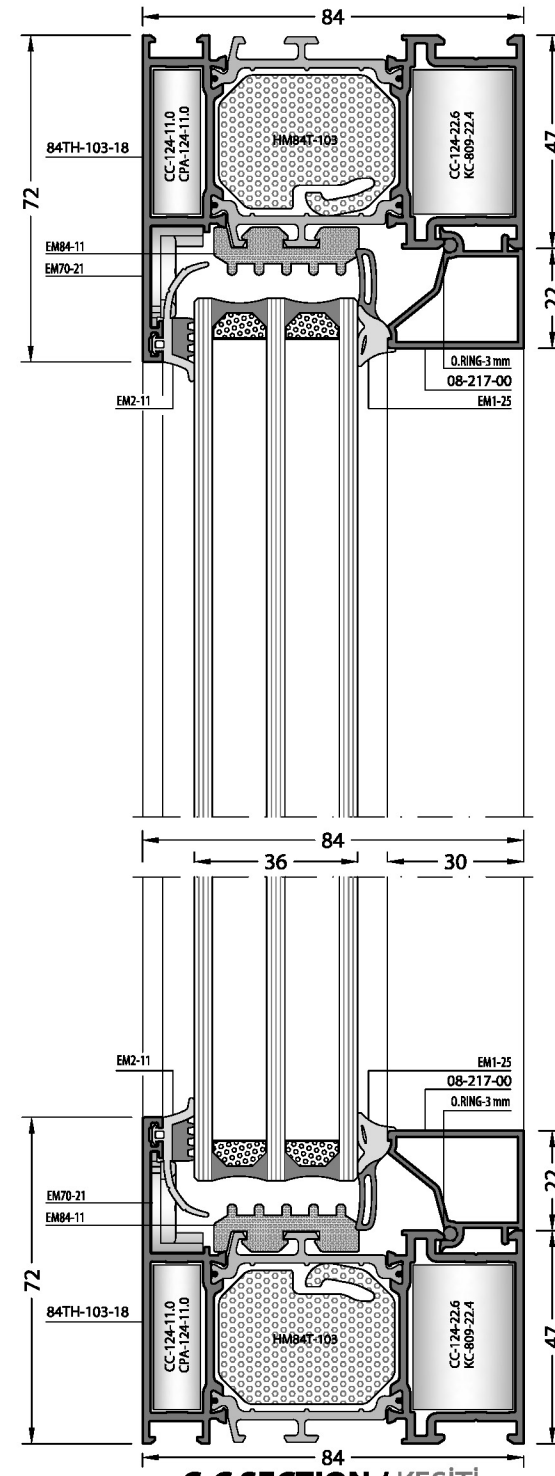
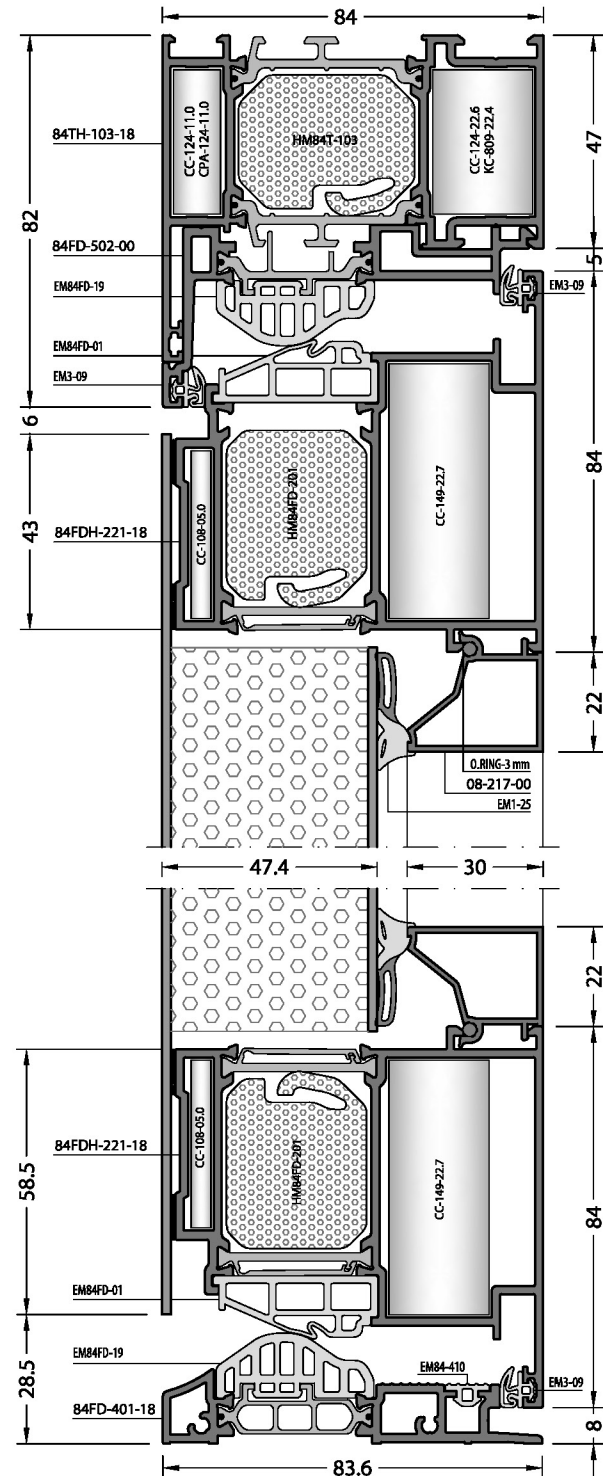
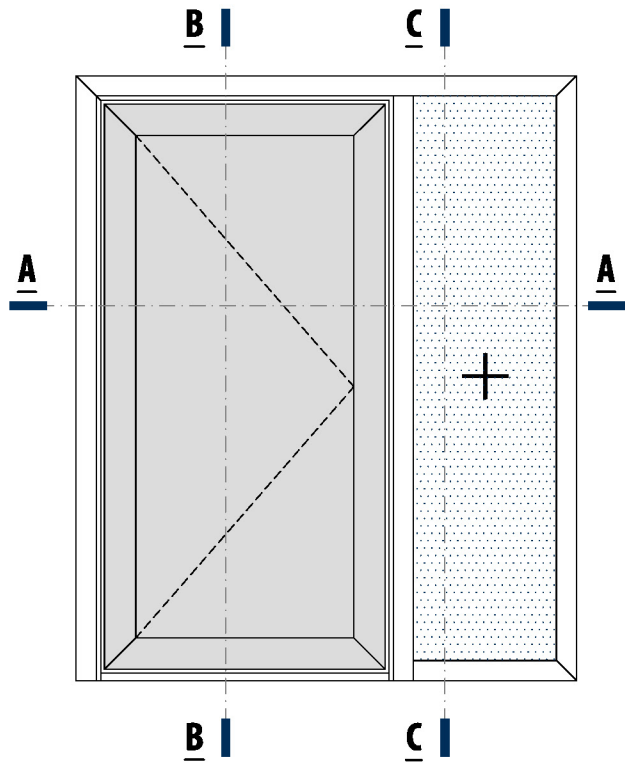
**A-A SECTION / KESİTİ**

Not scaled / Ölçeksizdir



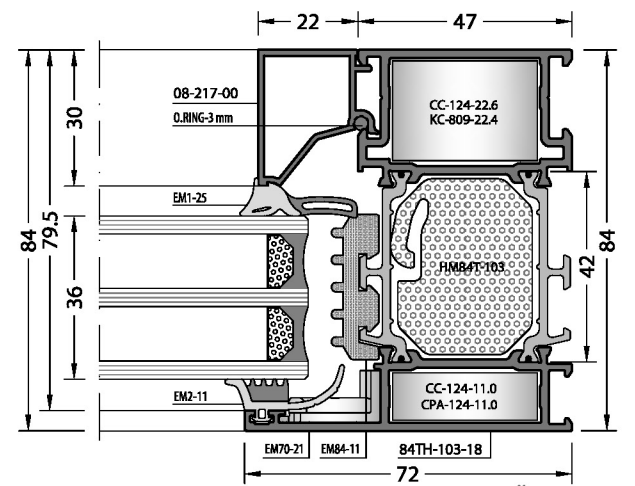
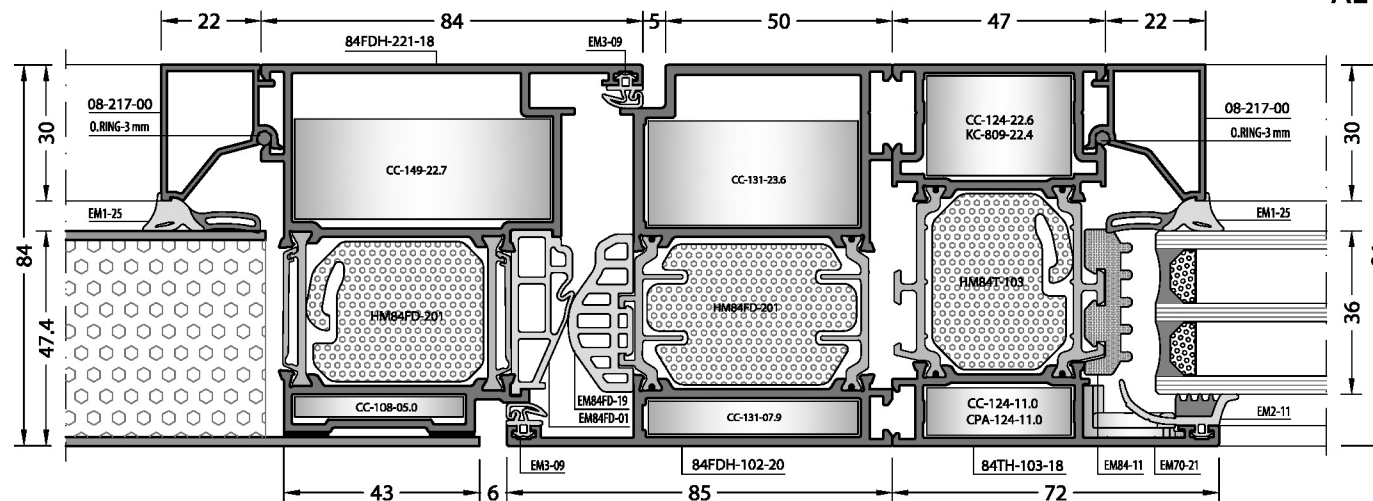
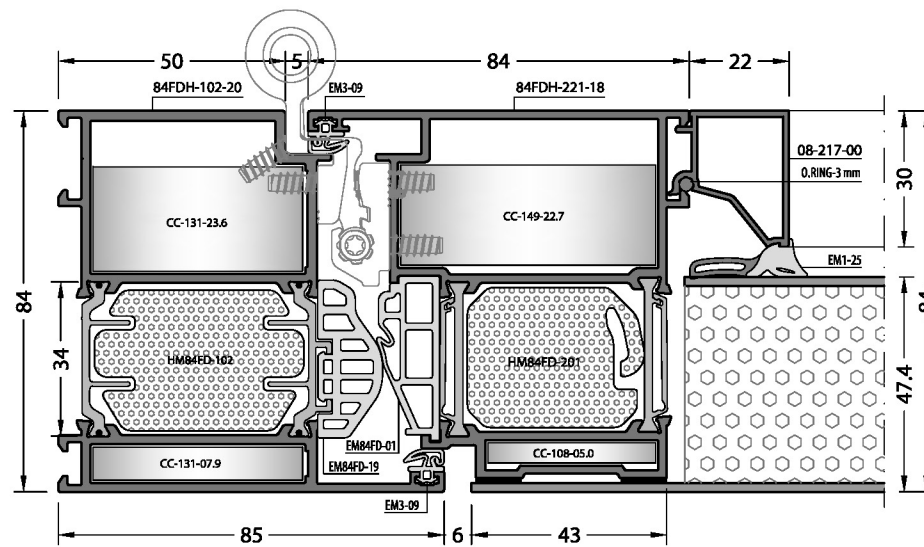
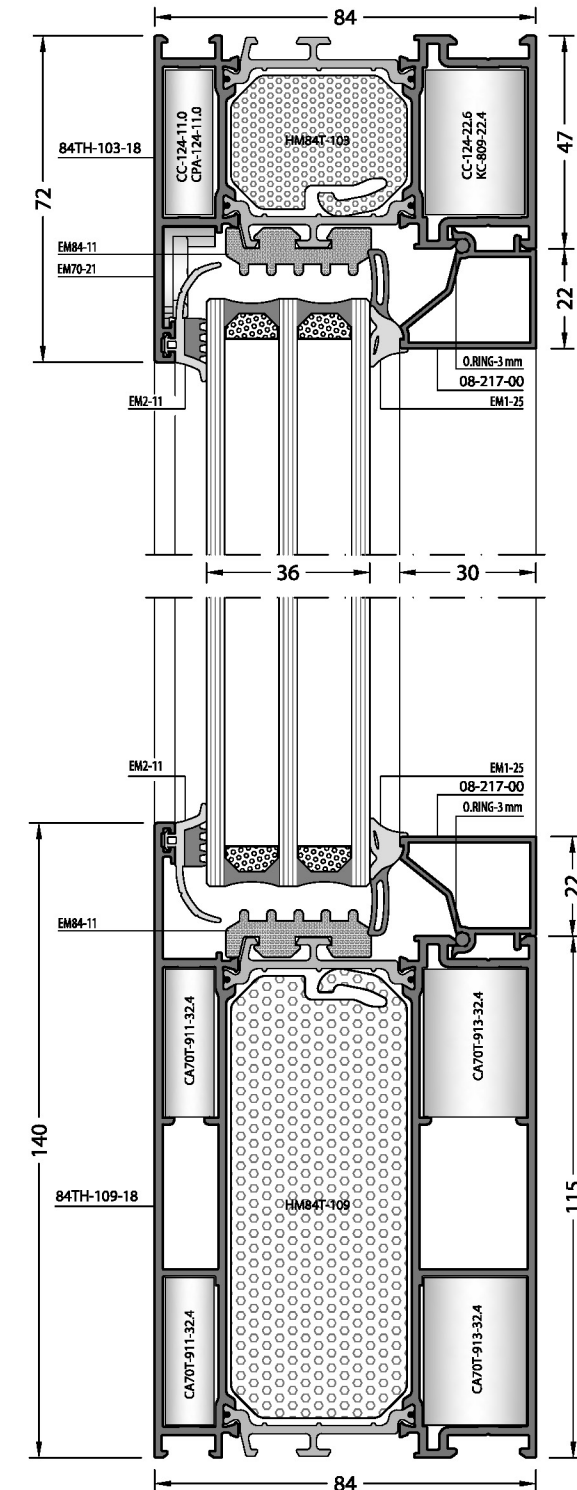
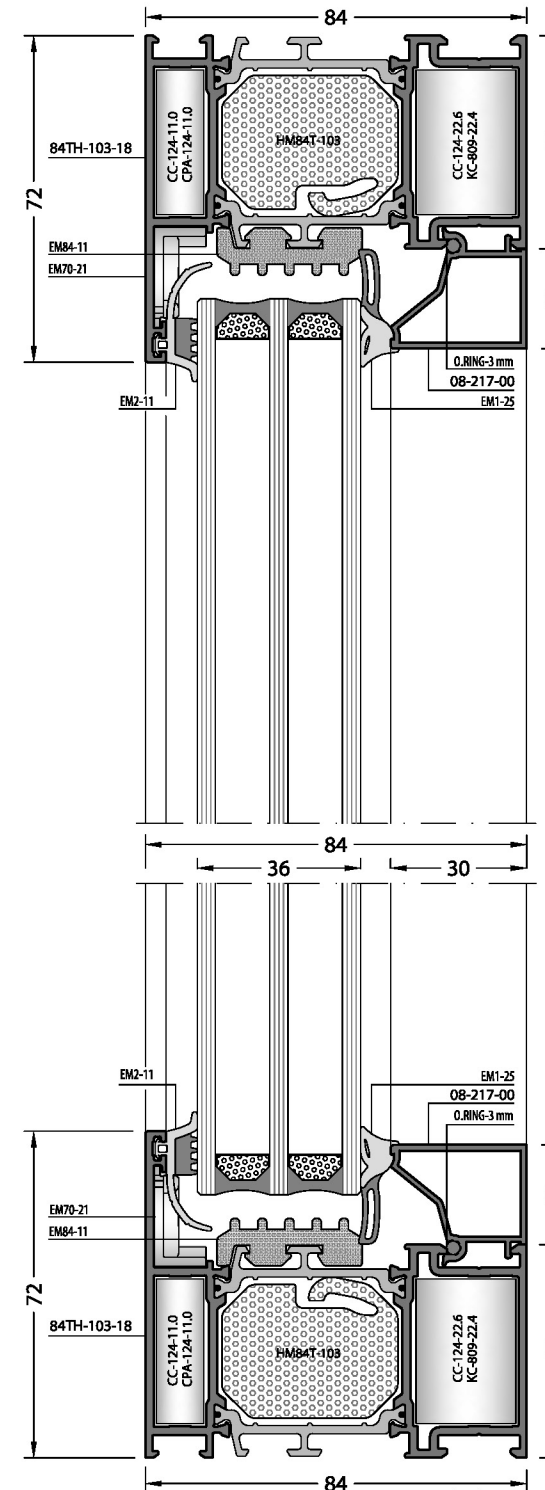
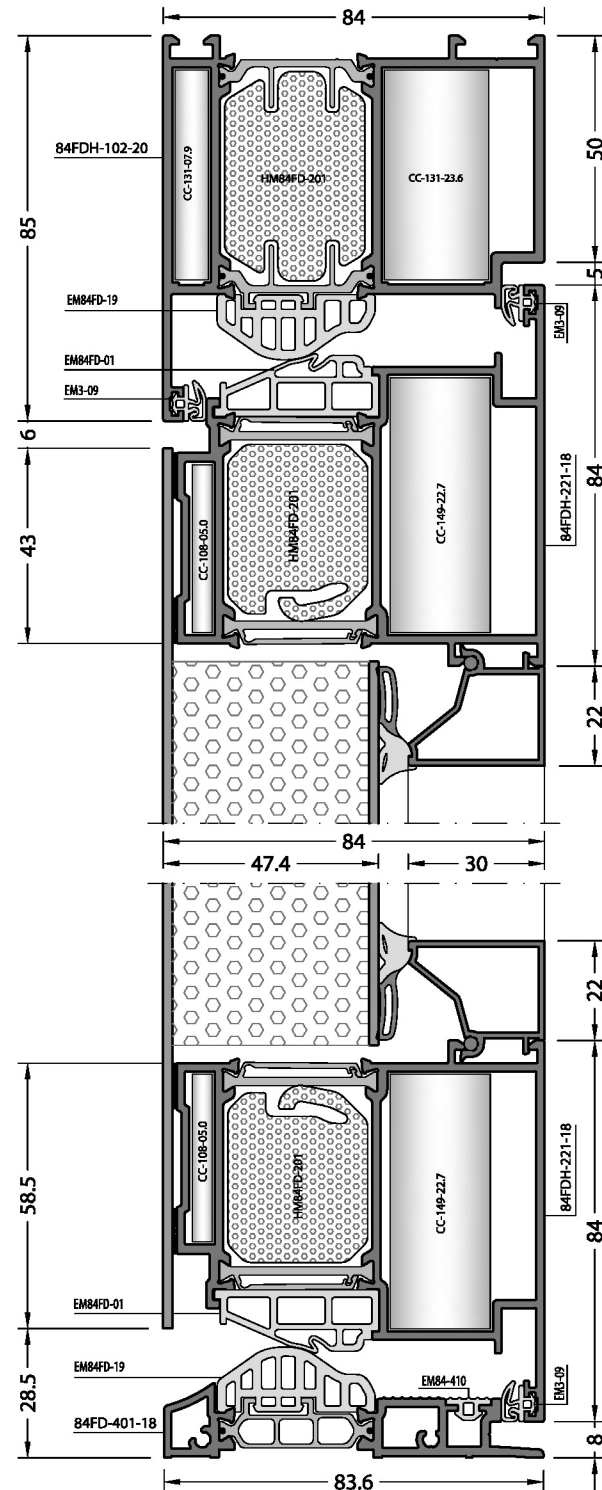
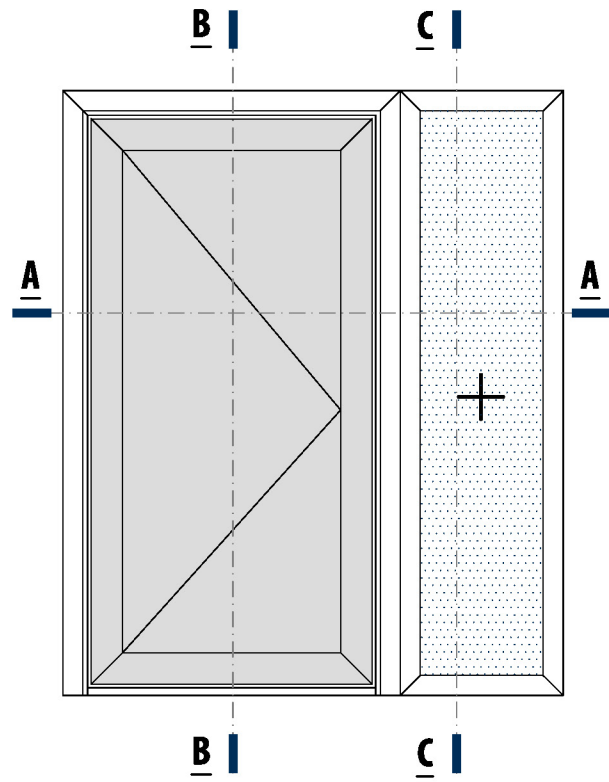


Not scaled / Ölçeksizdir



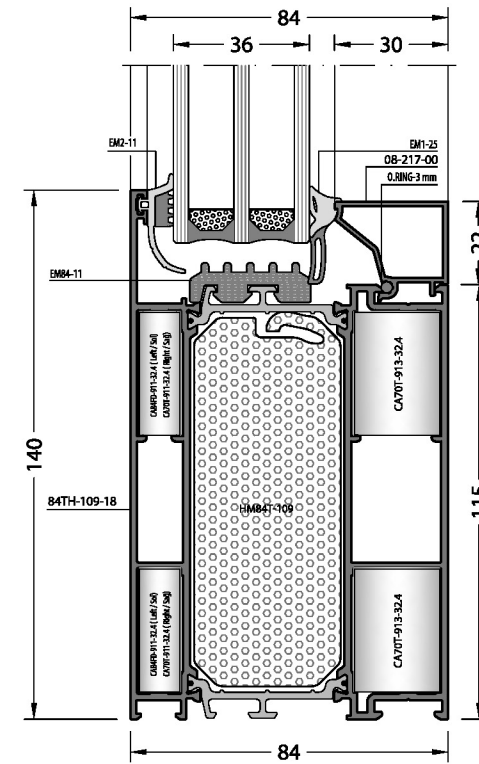
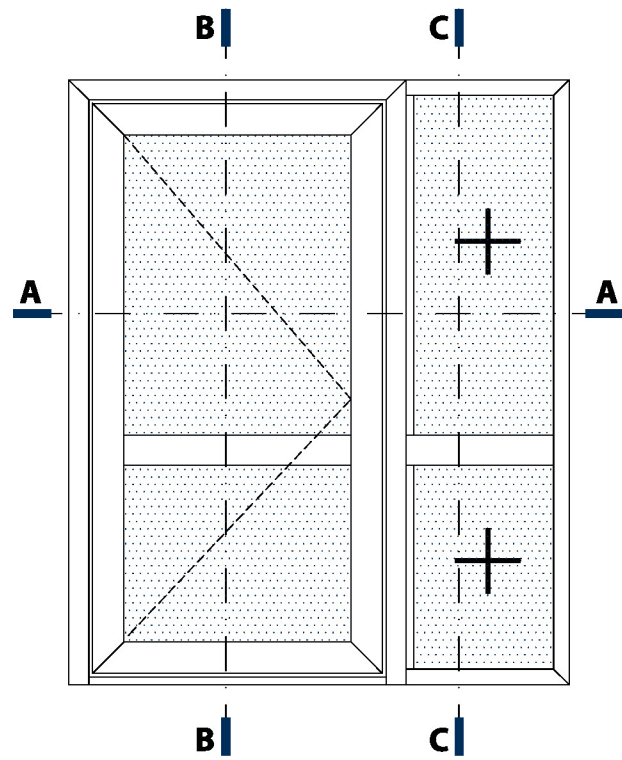
**A-A SECTION / KESİTİ**

Not scaled / Ölçeksizdir

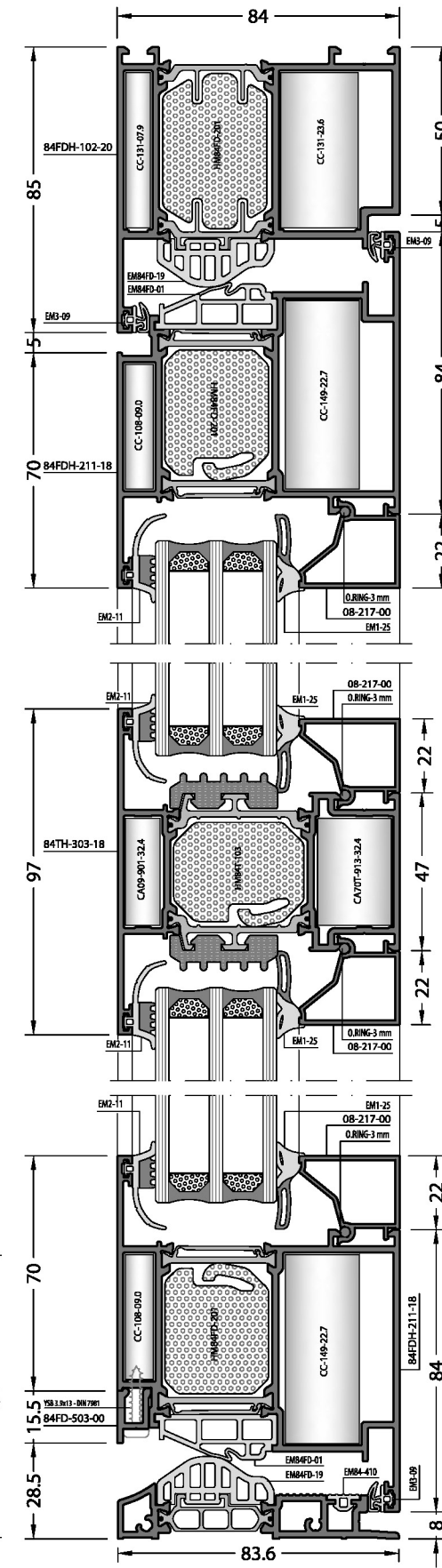


Not scaled / Ölçeksizdir

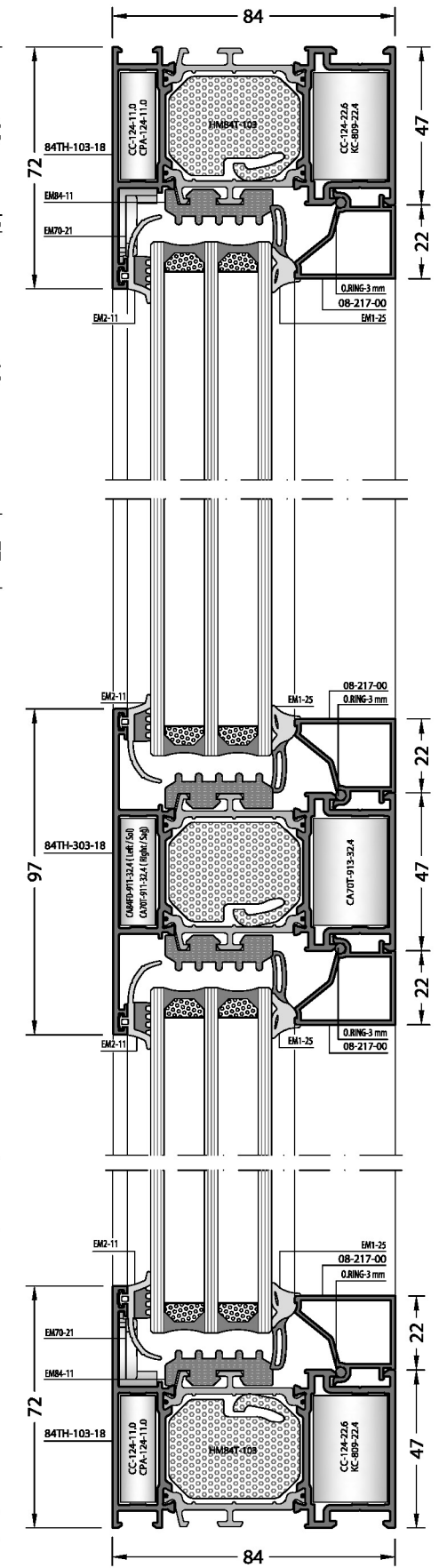




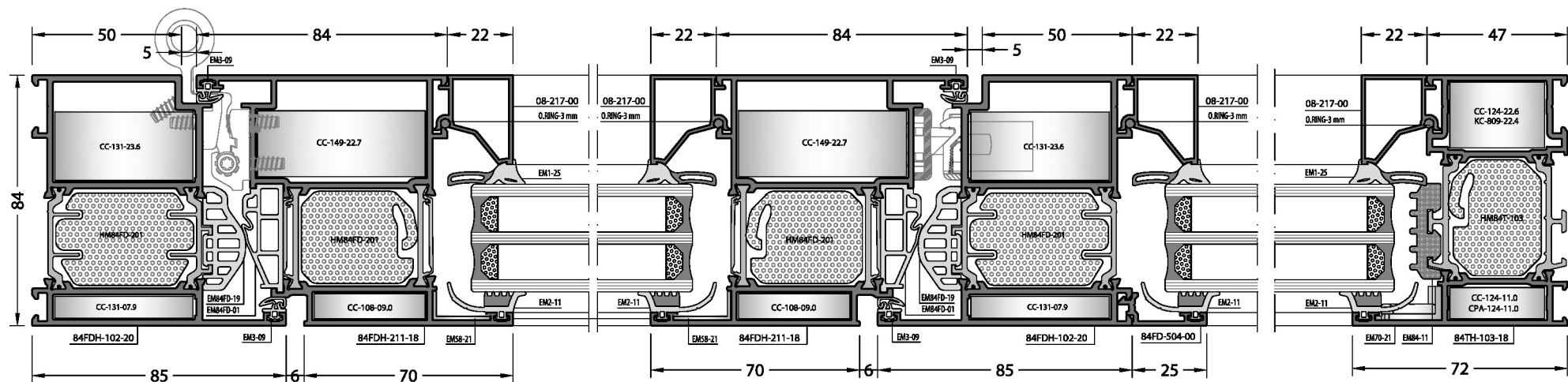
**C-C SECTION / KESİTİ**  
**ALTERNATIVE 2**



**B-B SECTION / KESİTİ**

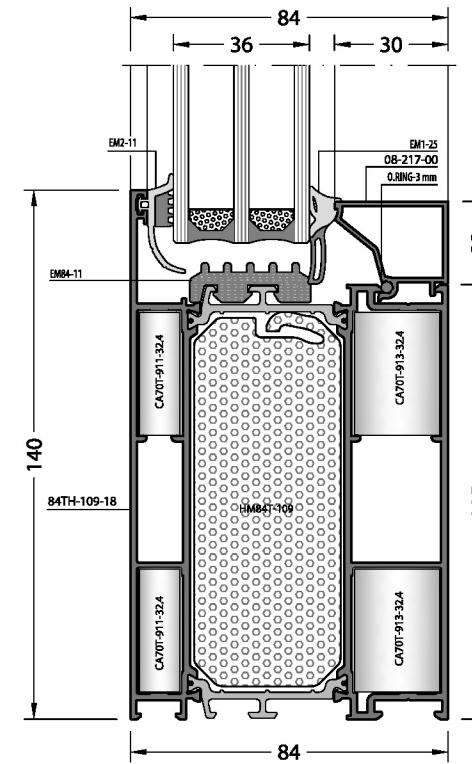
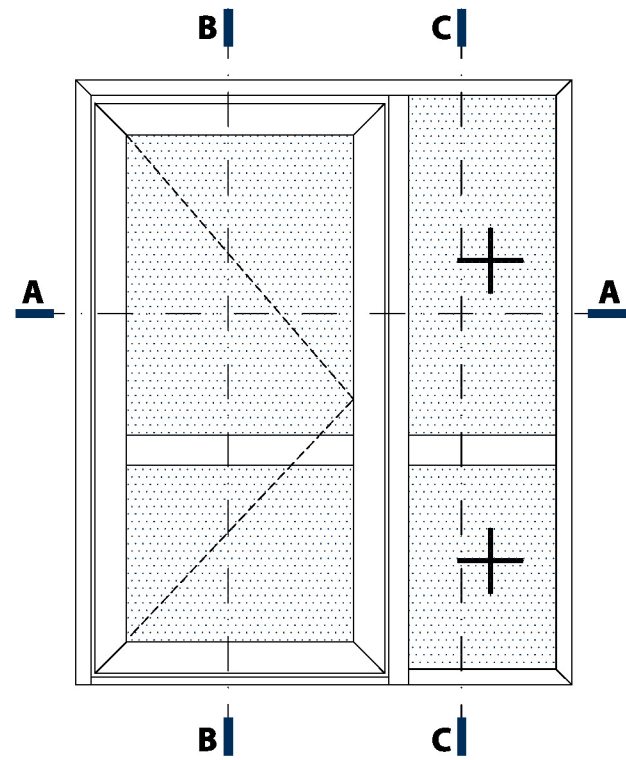


**C-C SECTION / KESİTİ**  
**ALTERNATIVE 1**

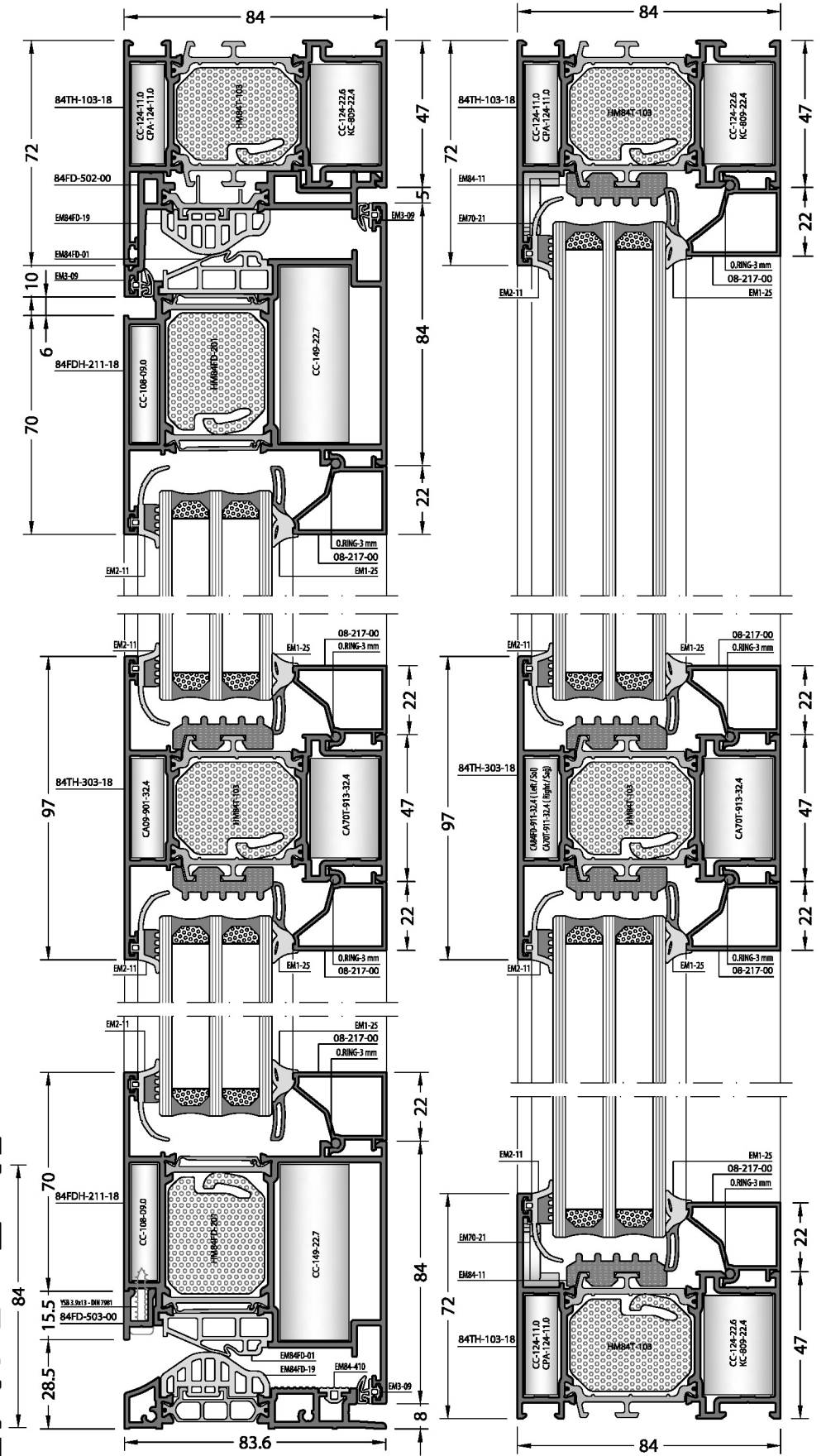


**A-A SECTION / KESİTİ**

Not scaled / Ölçeksizdir

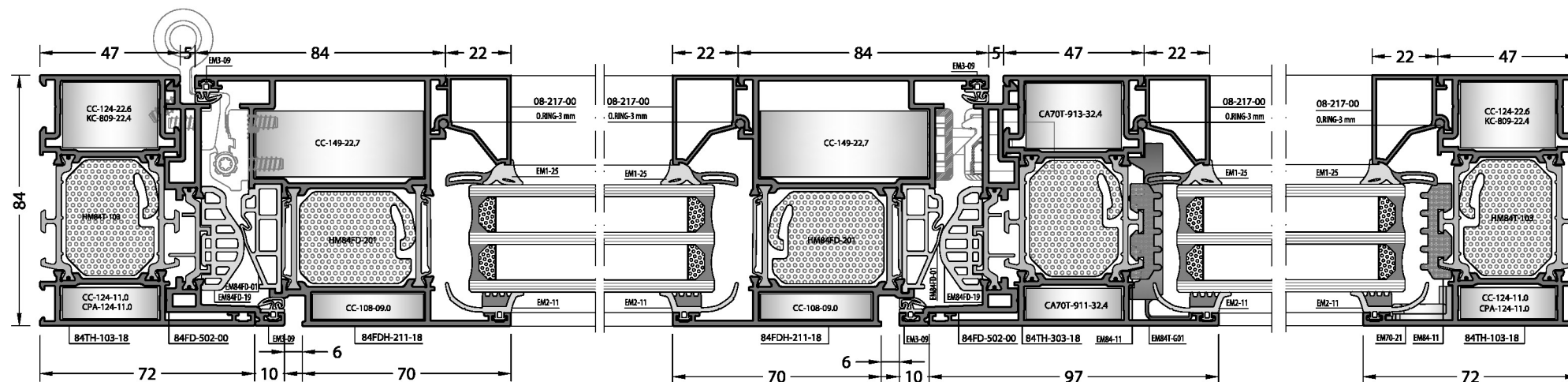


**C-C SECTION / KESİTİ**  
**ALTERNATIVE 2**



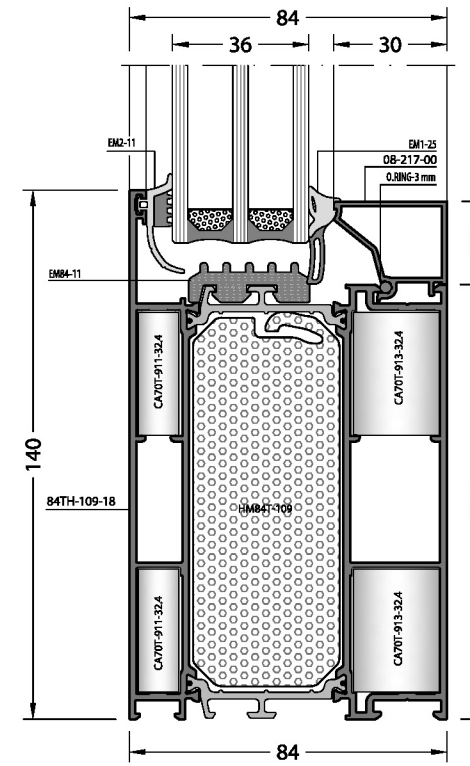
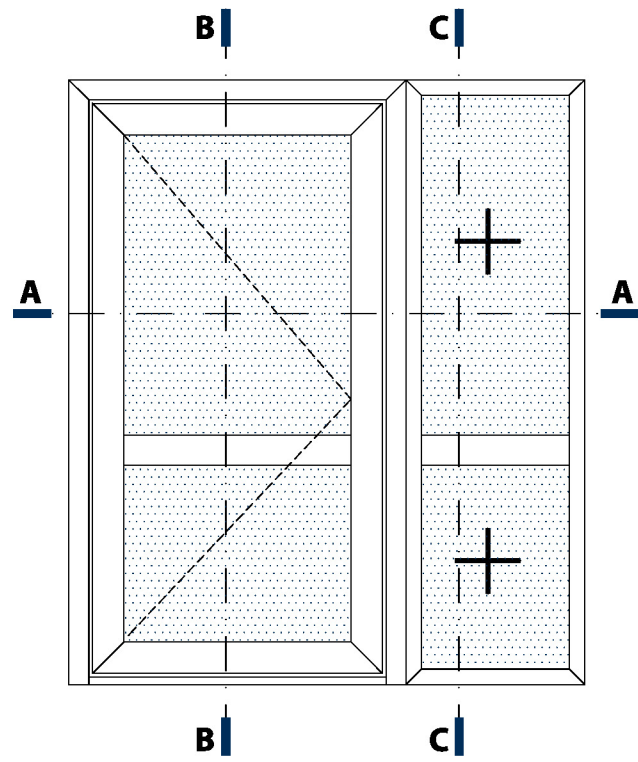
**B-B SECTION / KESİTİ**

**C-C SECTION / KESİTİ**  
**ALTERNATIVE 1**

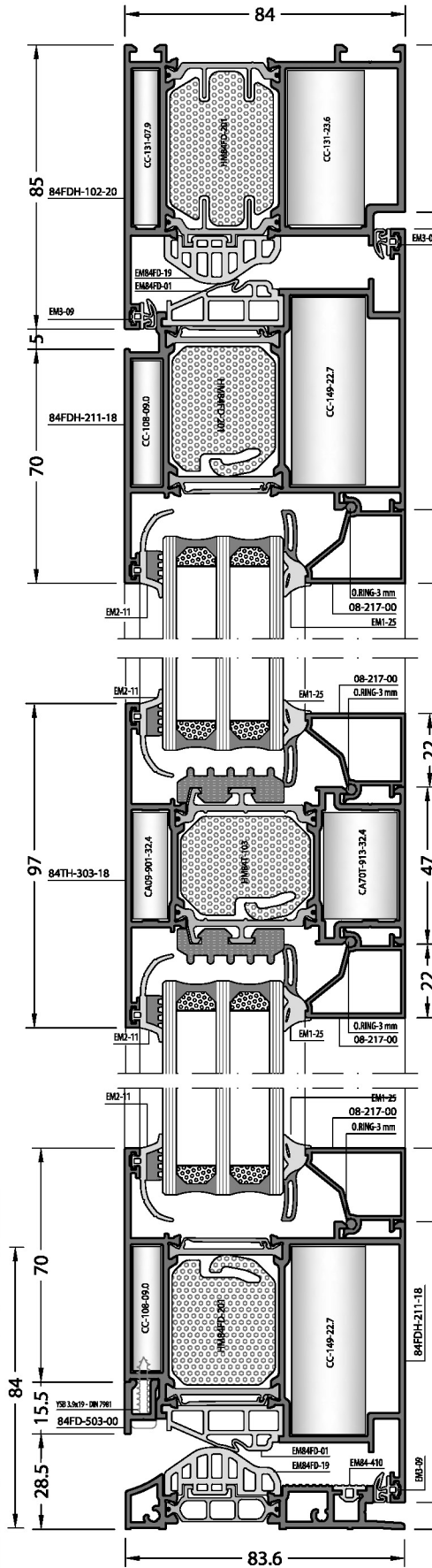


**A-A SECTION / KESİTİ**

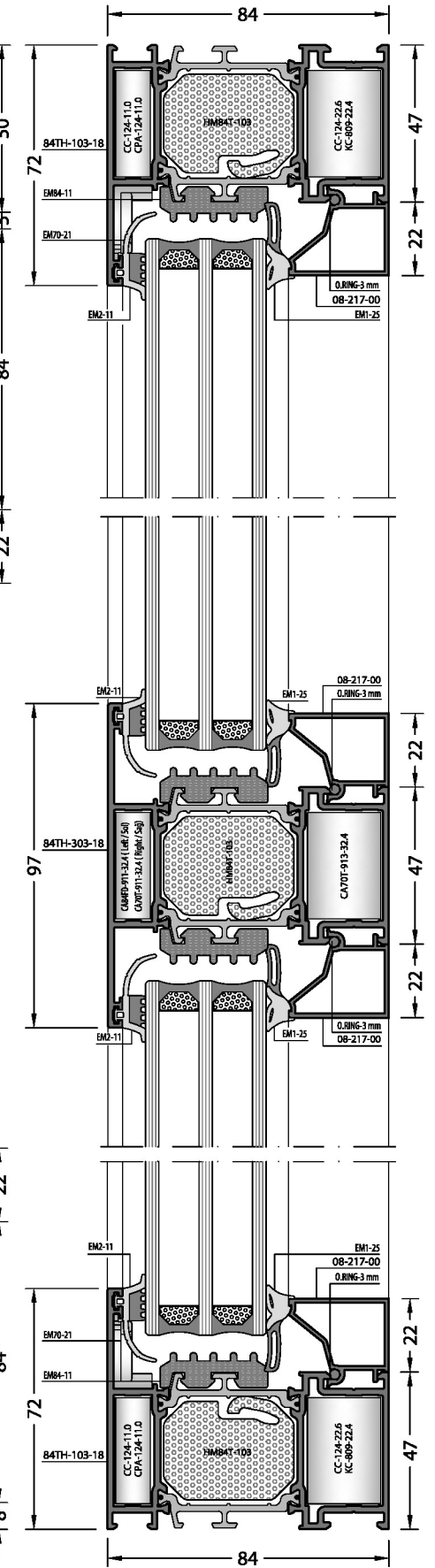
Not scaled / Ölçeksizdir



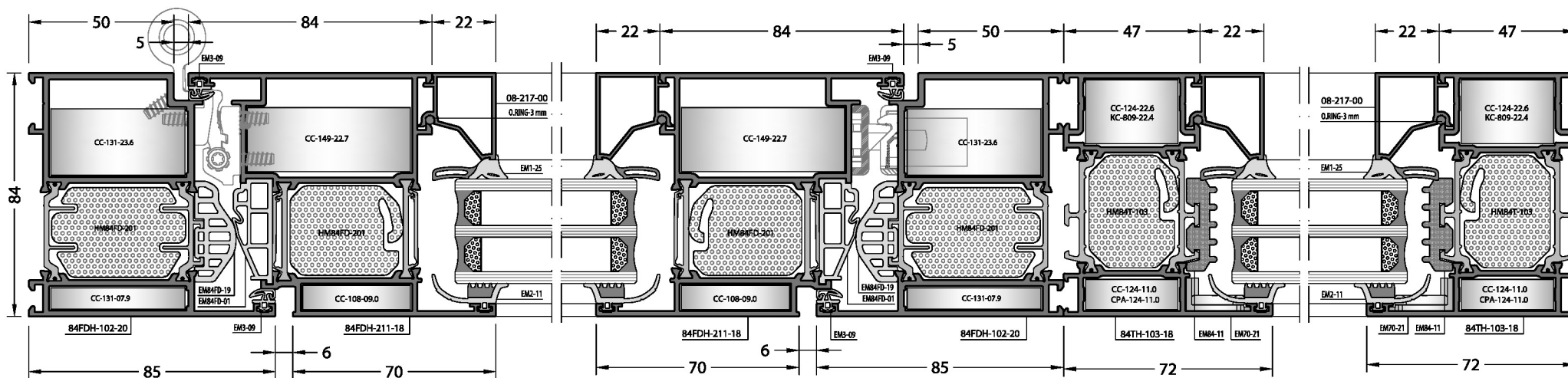
**C-C SECTION / KESİTİ**  
**ALTERNATIVE 2**



**B-B SECTION / KESİTİ**



**C-C SECTION / KESİTİ**  
**ALTERNATIVE 1**

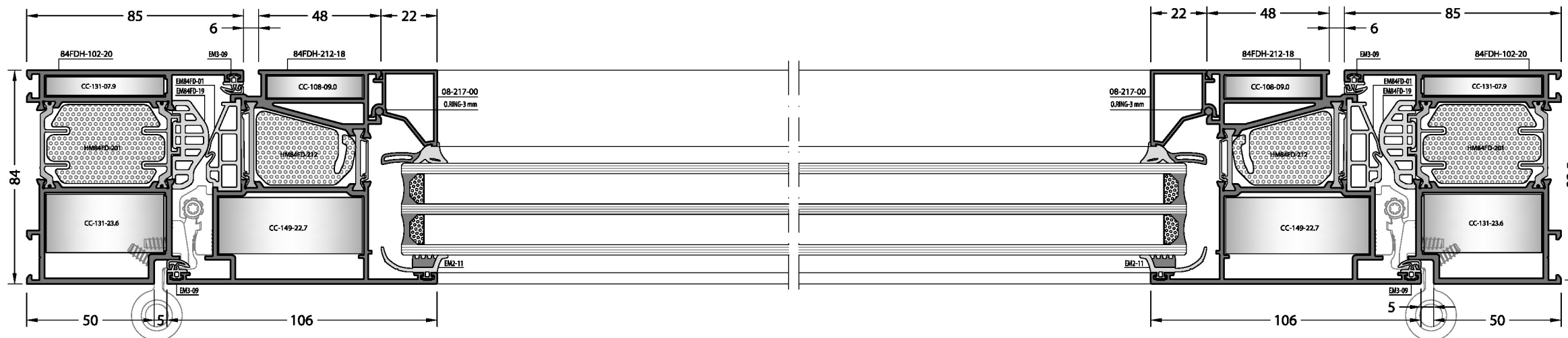
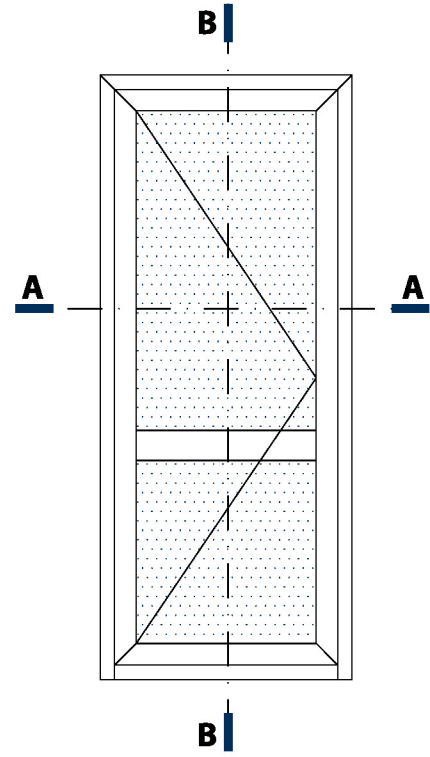


**A-A SECTION / KESİTİ**

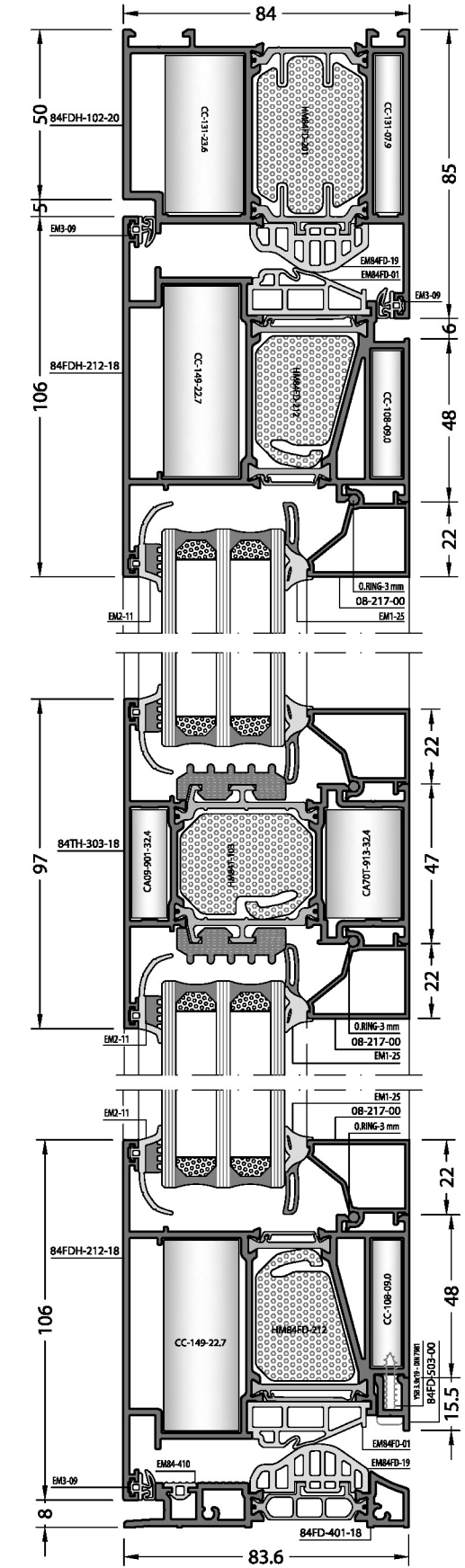
Not scaled / Ölçeksizdir





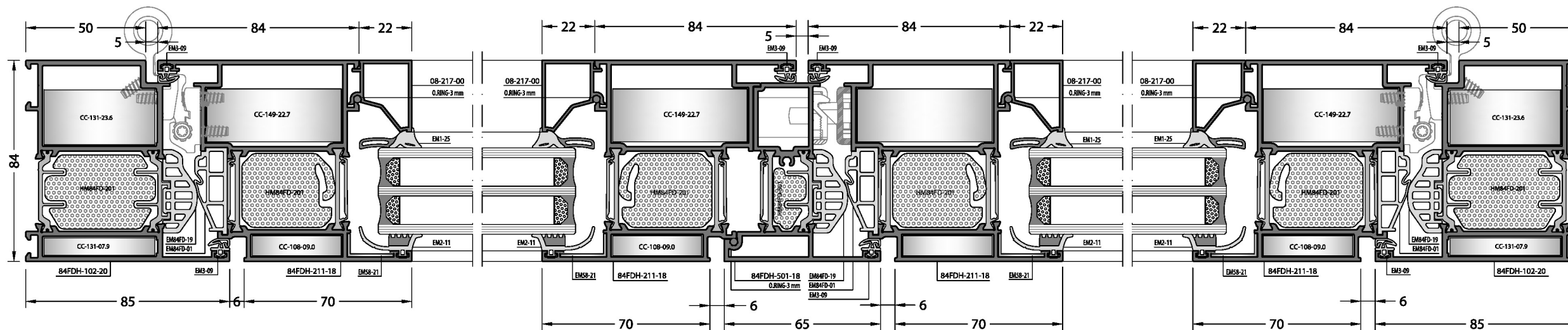
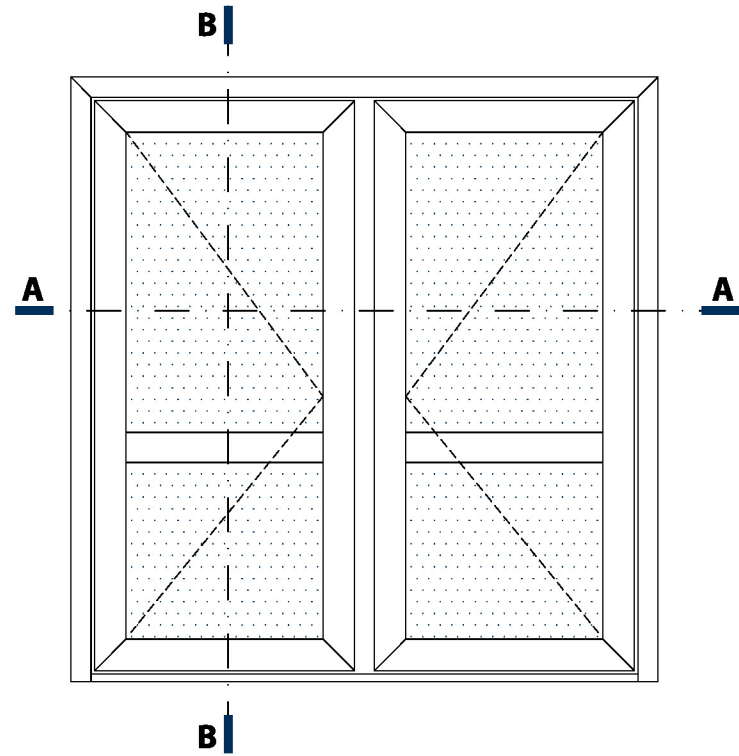


**A-A SECTION / KESİTİ**

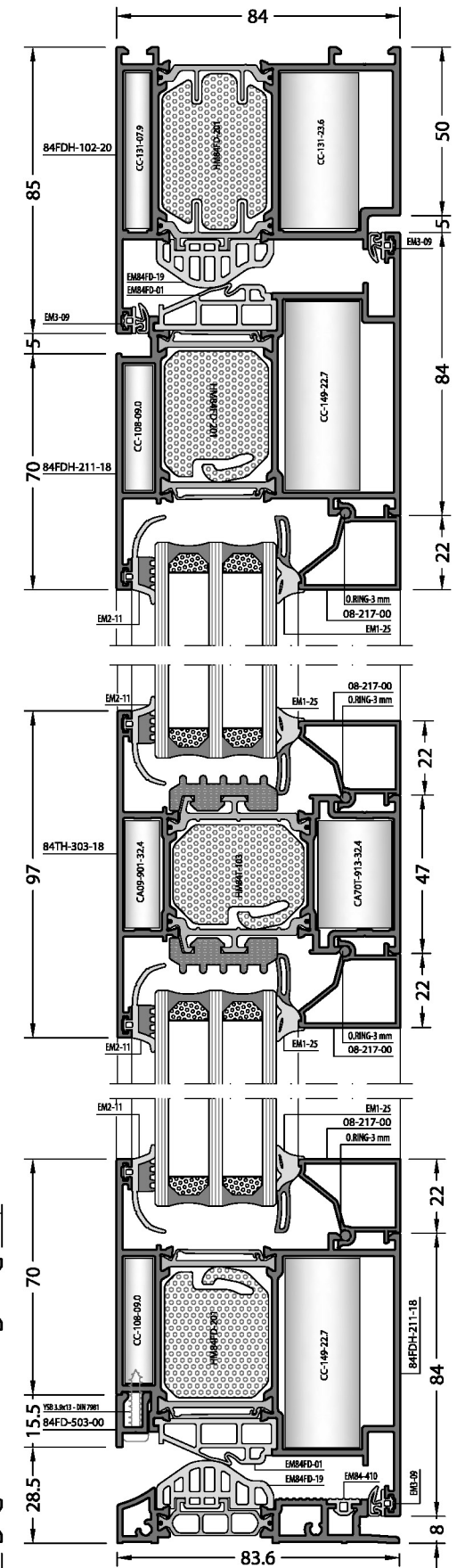


**B-B SECTION / KESİTİ**

Not scaled / Ölçeksizdir

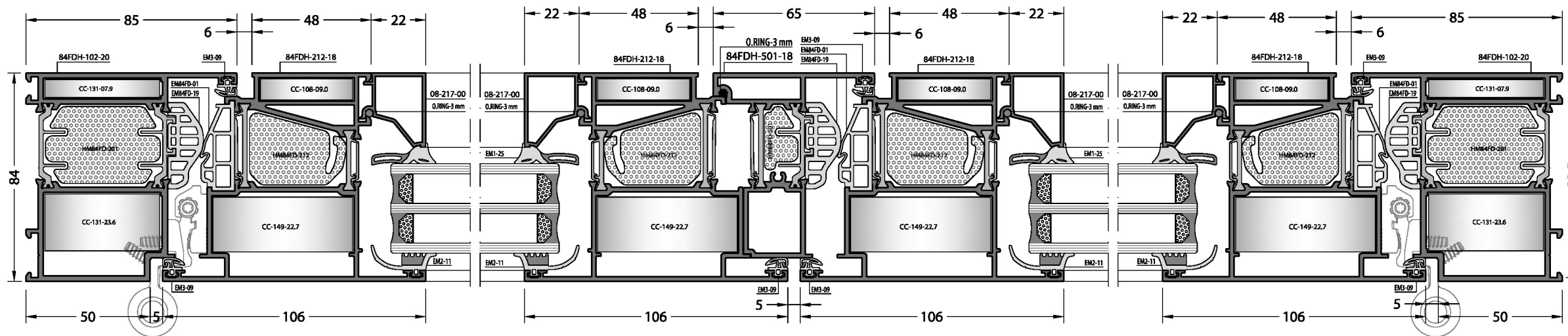
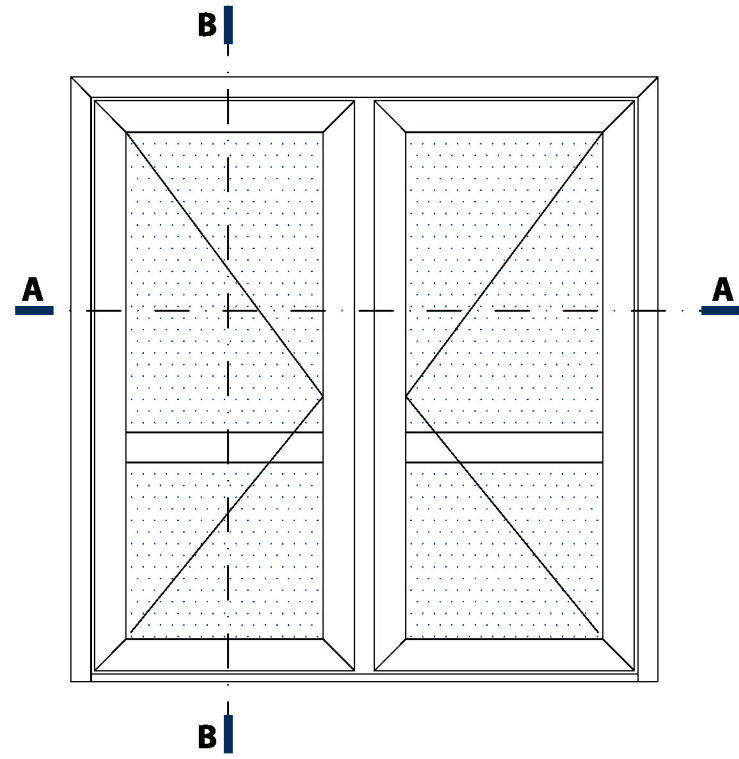


**A-A SECTION / KESİTİ**

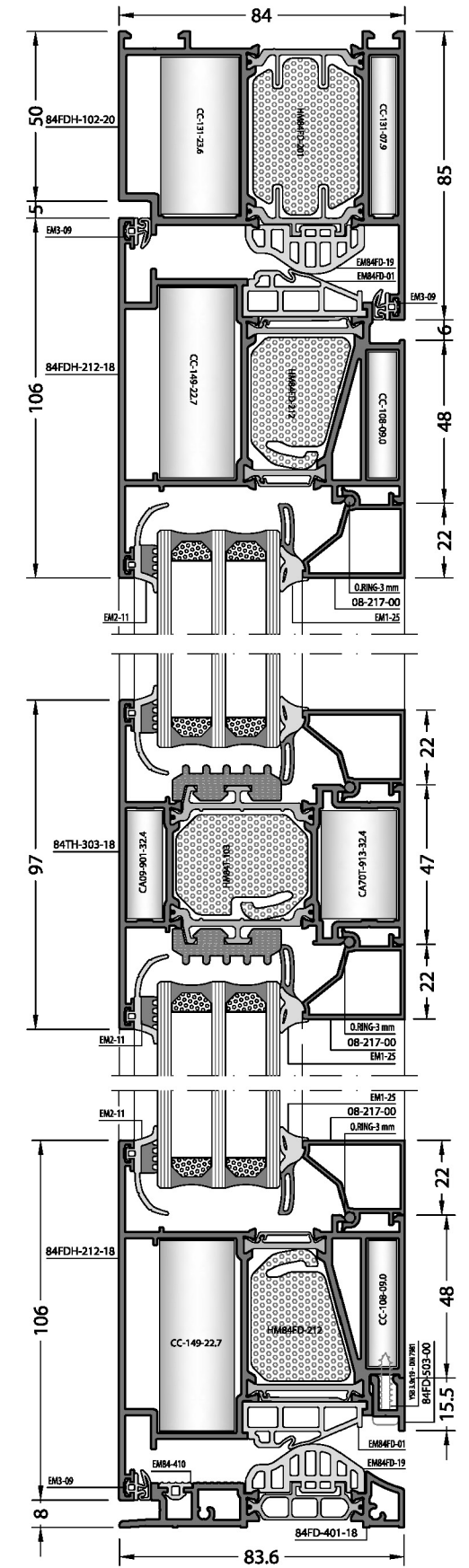


**B-B SECTION / KESİTİ**

Not scaled / Ölçeksizdir



**A-A SECTION / KESİTİ**

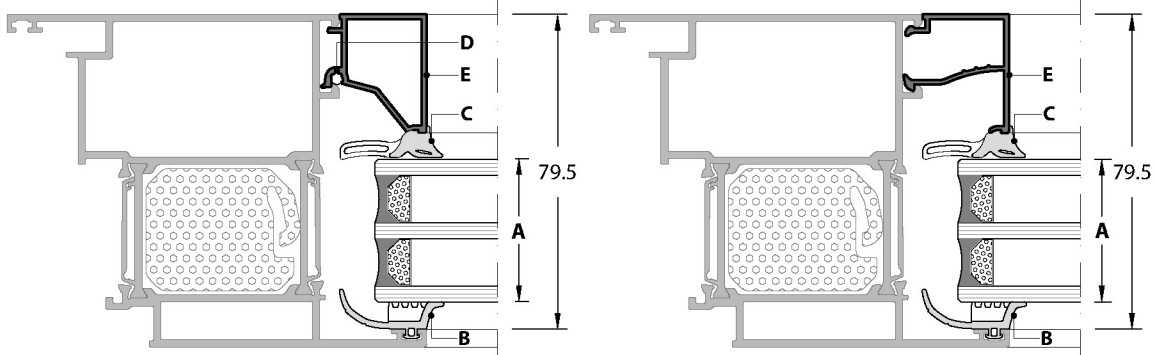


**B-B SECTION / KESİTİ**

Not scaled / Ölçeksizdir

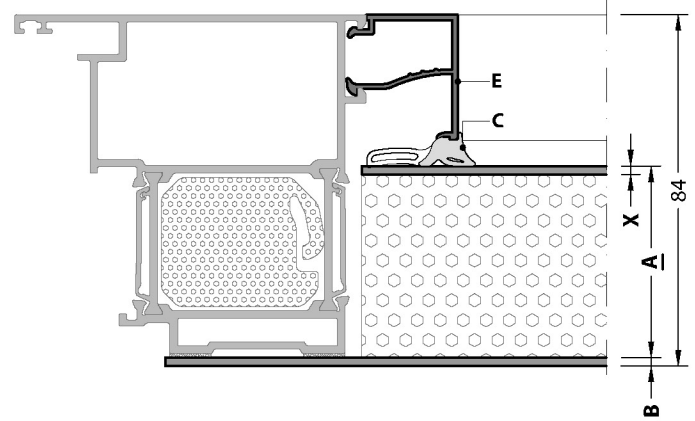
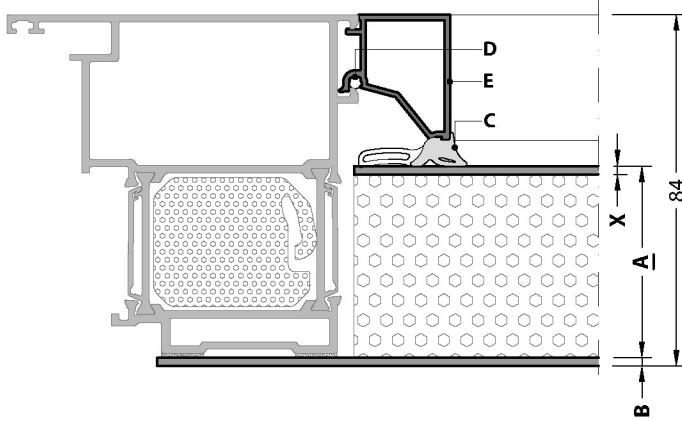
GLAZING TABLES  
CAM TABLOLARI

**WITH GLASS / CAMLI**
**84FD/H-211-18**
**84FD/H-212-18**
**SAFETY GLAZING BEAD**  
GÜVENLİKLİ CAM ÇİTASI

**STANDARD GLAZING BEAD**  
STANDART CAM ÇİTASI


A	B	C	D	E	E
GLAZING THICKNESS CAM KALINLIĞI	OUTSIDE GLASS GASKET DIŞ CAM FİTİLİ	INSIDE GLASS GASKET İÇ CAM FİTİLİ	SAFETY GLAZING BEAD GÜVENLİKLİ CAM ÇİTASI		STANDARD GLAZING BEAD STANDART CAM ÇİTASI
28 mm	EM2-11	EM1-23	0.RING-3 mm	08-222-00	-
29 mm	EM2-11	EM1-25	0.RING-3 mm	08-216-00	-
30 mm		EM1-24			
31 mm		EM1-23			
33 mm	EM2-11	EM1-25	0.RING-3 mm	08-215-00	08-115-00
34 mm		EM1-24			
35 mm		EM1-23			
36 mm	EM2-11	EM1-25	0.RING-3 mm	08-217-00	08-117-00
37 mm		EM1-24			
38 mm		EM1-23			
38 mm	EM2-11	EM1-25	0.RING-3 mm	08-213-00	08-113-00
39 mm		EM1-24			
40 mm		EM1-23			
41 mm	EM2-11	EM1-25	0.RING-3 mm	08-212-00	08-112-00
42 mm		EM1-24			
43 mm		EM1-23			
44 mm	EM2-11	EM1-25	0.RING-3 mm	08-209-00	08-109-00
45 mm		EM1-24			
46 mm		EM1-23			
47 mm	EM2-11	EM1-25	0.RING-3 mm	08-208-00	08-108-00
48 mm		EM1-24			
49 mm		EM1-23			
49 mm	EM2-11	EM1-25	0.RING-3 mm	08-207-00	08-107-00
50 mm		EM1-24			
51 mm		EM1-23			
52 mm	EM2-11	EM1-25	0.RING-3 mm	08-205-00	08-105-00
53 mm		EM1-24			
54 mm		EM1-23			


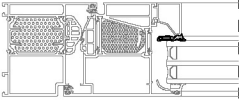

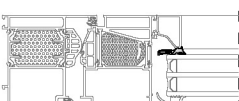

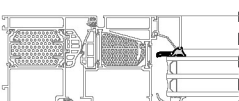
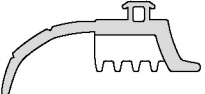
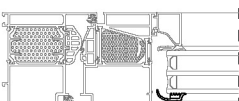
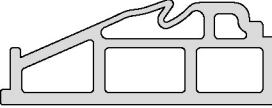
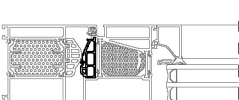
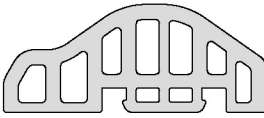
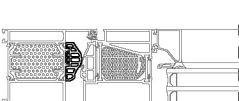

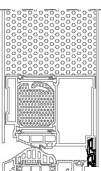

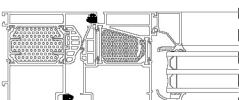

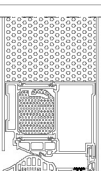
**SEMI PANEL / YARI PANEL**
**84FD/H-221-18**
**84FD/H-222-18**
**SAFETY GLAZING BEAD**  
GÜVENLİKLİ CAM ÇİTASI

**STANDARD GLAZING BEAD**  
STANDART CAM ÇİTASI


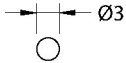
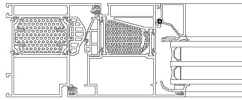
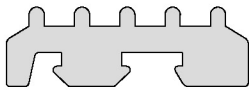
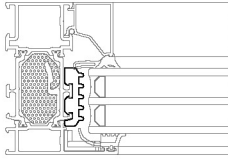
A	B	C	D	E	E
PANEL THICKNESS PANEL KALINLIĞI	ALUMINIUM SHEET THICKNESS ALUMİNYUM LEVHA KALINLIĞI	INSIDE GLASS GASKET İÇ CAM FİTİLİ	SAFETY GLAZING BEAD GÜVENLİKLİ CAM ÇİTASI		STANDARD GLAZING BEAD STANDART CAM ÇİTASI
35.8 mm	2 mm	EM1-25	O.RING-3 mm	08-222-00	-
36.8 mm		EM1-24			
37.8 mm		EM1-23			
38.8 mm	2 mm	EM1-25	O.RING-3 mm	08-216-00	-
39.8 mm		EM1-24			
40.8 mm		EM1-23			
42.8 mm	2 mm	EM1-25	O.RING-3 mm	08-215-00	08-115-00
43.8 mm		EM1-24			
44.8 mm		EM1-23			
45.8 mm	2 mm	EM1-25	O.RING-3 mm	08-217-00	08-117-00
46.8 mm		EM1-24			
47.8 mm		EM1-23			
47.8 mm	2 mm	EM1-25	O.RING-3 mm	08-213-00	08-113-00
48.8 mm		EM1-24			
49.8 mm		EM1-23			
50.8 mm	2 mm	EM1-25	O.RING-3 mm	08-212-00	08-112-00
51.8 mm		EM1-24			
52.8 mm		EM1-23			
53.8 mm	2 mm	EM1-25	O.RING-3 mm	08-209-00	08-109-00
54.8 mm		EM1-24			
55.8 mm		EM1-23			
56.8 mm	2 mm	EM1-25	O.RING-3 mm	08-208-00	08-108-00
57.8 mm		EM1-24			
58.8 mm		EM1-23			
58.8 mm	2 mm	EM1-25	O.RING-3 mm	08-207-00	08-107-00
59.8 mm		EM1-24			
60.8 mm		EM1-23			

ACCESSORIES  
AKSESUARLAR

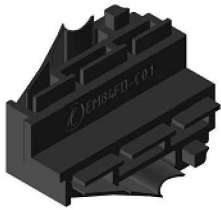
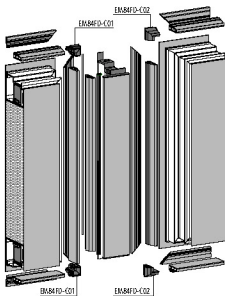
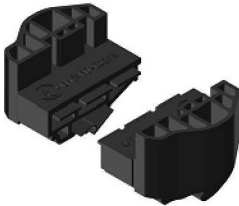
**GASKETS / FITİLLER**

CODE / KOD	DRAWING / ÇİZİM	APPLICATION UYGULAMA	DESCRIPTION AÇIKLAMA	MATERIAL MALZEME	WEIGHT AĞIRLIK Kg/m	IN ONE PACKAGE PAKET MIKTARI
EM1-23			Glazing Gasket Inside İç Cam Fitili	EPDM	0.096	100 m
EM1-24			Glazing Gasket Inside İç Cam Fitili	EPDM	0.082	100 m
EM1-25			Glazing Gasket Inside İç Cam Fitili	EPDM COEX	0.090	100 m
EM2-11			Glazing Gasket Outside Dış Cam Fitili	EPDM COEX	0.110	100 m
EM84FD-01			Central Gasket Tozluk Fitili	EPDM	0.227	50 m
EM84FD-19			Central Gasket Tozluk Fitili	EPDM	0.300	40 m
EM84FD-03			Acoustical Gasket Bini Fitili	EPDM	0.110	75 m
EM3-09			Acoustical Gasket Bini Fitili	EPDM	0.040	300 m
EM84-410			Threshold Gasket Eşik Fitili	EPDM	0.030	500 m


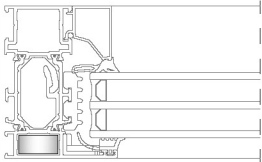

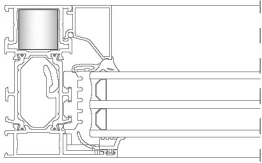

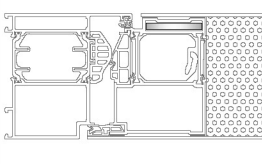

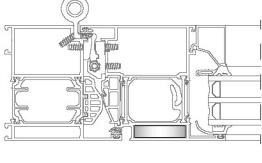

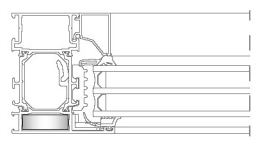

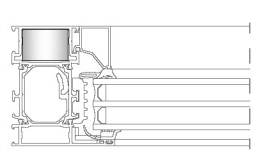

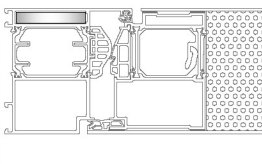

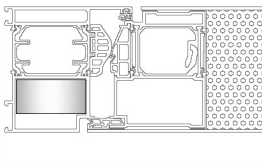

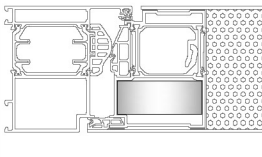
**GASKETS / FITİLLER**

CODE / KOD	DRAWING / ÇİZİM	APPLICATION UYGULAMA	DESCRIPTION AÇIKLAMA	MATERIAL MALZEME	WEIGHT AĞIRLIK Kg/m	IN ONE PACKAGE PAKET MIKTARI
O.RING-3 mm			Foam Gasket Sünger Fitil	EPDM	0.005	100 m
EM84-11			Frame Isolation Gasket Kasa Yalıtım Fitili	EPDM COEX	0.133	50 m

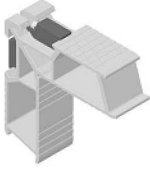
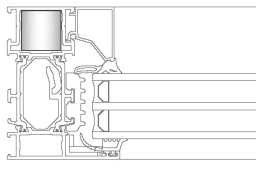

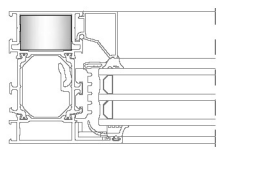
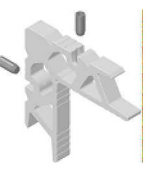
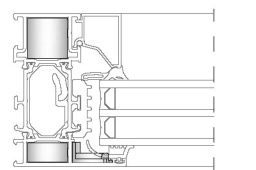

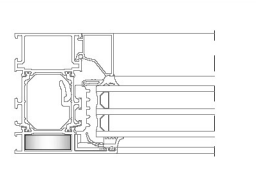
**ENJECTION CORNER / ENJEKSİYON KÖŞE**

CODE / KOD	DRAWING / ÇİZİM	APPLICATION UYGULAMA	DESCRIPTION AÇIKLAMA	MATERIAL MALZEME	IN ONE PACKAGE PAKET MIKTARI
EM84FD-C01			ENJECTION CORNER ENJEKSİYON KÖŞE	EPDM	Pieces Adet
EM84FD-C02			ENJECTION CORNER ENJEKSİYON KÖŞE	EPDM	Set Takım


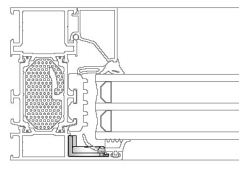
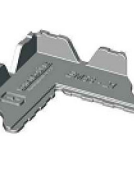
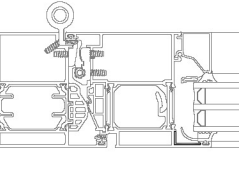
**PRESS CORNER JOINTS / PRES KÖŞE BAĞLANTILAR**

CODE / KOD	DRAWING / ÇİZİM	APPLICATION / UYGULAMA	PROFILE CODE PROFIL KOD	CUTTING SIZE KESİM ÖLÇÜSÜ	APPLICATION PROFILES ÇALIŞTIĞI PROFİLLER
CC-103-11.0			09-103-00	11.0 mm	84T/TH-102-18
CC-103-22.6			09-103-00	23.6 mm	84T/TH-102-18
CC-108-05.0			09-108-00	5.0 mm	84FD/FDH-201-18 84FD/FDH-221-18
CC-108-09.0			09-108-00	9.0 mm	84FD/FDH-211-18 84FD/FDH-212-18 84FD/FDH-222-18
CC-124-11.0			09-124-00	11.0 mm	84T/TH-103-18 84T/TH-109-18
CC-124-22.6			09-124-00	22.6 mm	84T/TH-103-18 84T/TH-109-18
CC-131-07.9			09-131-00	7.9 mm	84FD/FDH-102-20
CC-131-23.6			09-131-00	23.6 mm	84FD/FDH-102-20
CC-149-22.7			09-149-00	22.7 mm	84FD/FDH-201-18 84FD/FDH-211-18 84FD/FDH-212-18 84FD/FDH-221-18 84FD/FDH-222-18


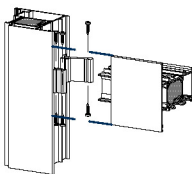

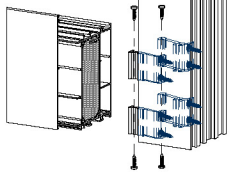

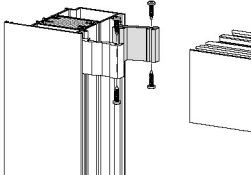

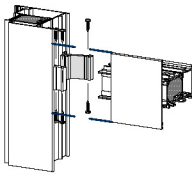

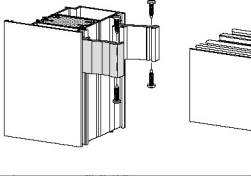

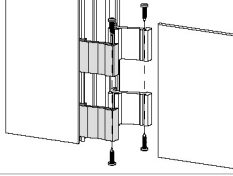

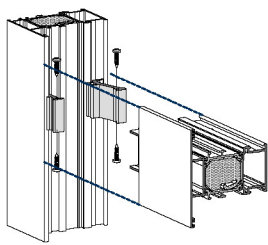

**PRESS CORNER JOINTS / PRES KÖŞE BAĞLANTILAR**

CODE / KOD	DRAWING / ÇİZİM	APPLICATION / UYGULAMA	PROFILE CODE PROFIL KOD	CUTTING SIZE KESİM ÖLÇÜSÜ	APPLICATION PROFILES ÇALIŞTIĞI PROFİLLER
KC-803-22.4			09-803-00	22.4 mm	84T/TH-102-18
KC-809-22.4			09-809-00	22.4 mm	84T/TH-103-18 84T/TH-109-18
CPA-103-11.0			09-103-00	11.0 mm	84T/TH-102-18
CPA-124-11.0			09-124-00	11.0 mm	84T/TH-103-18 84T/TH-109-18

**CORNER ALIGNMENT / KÖŞE GÖNYE**

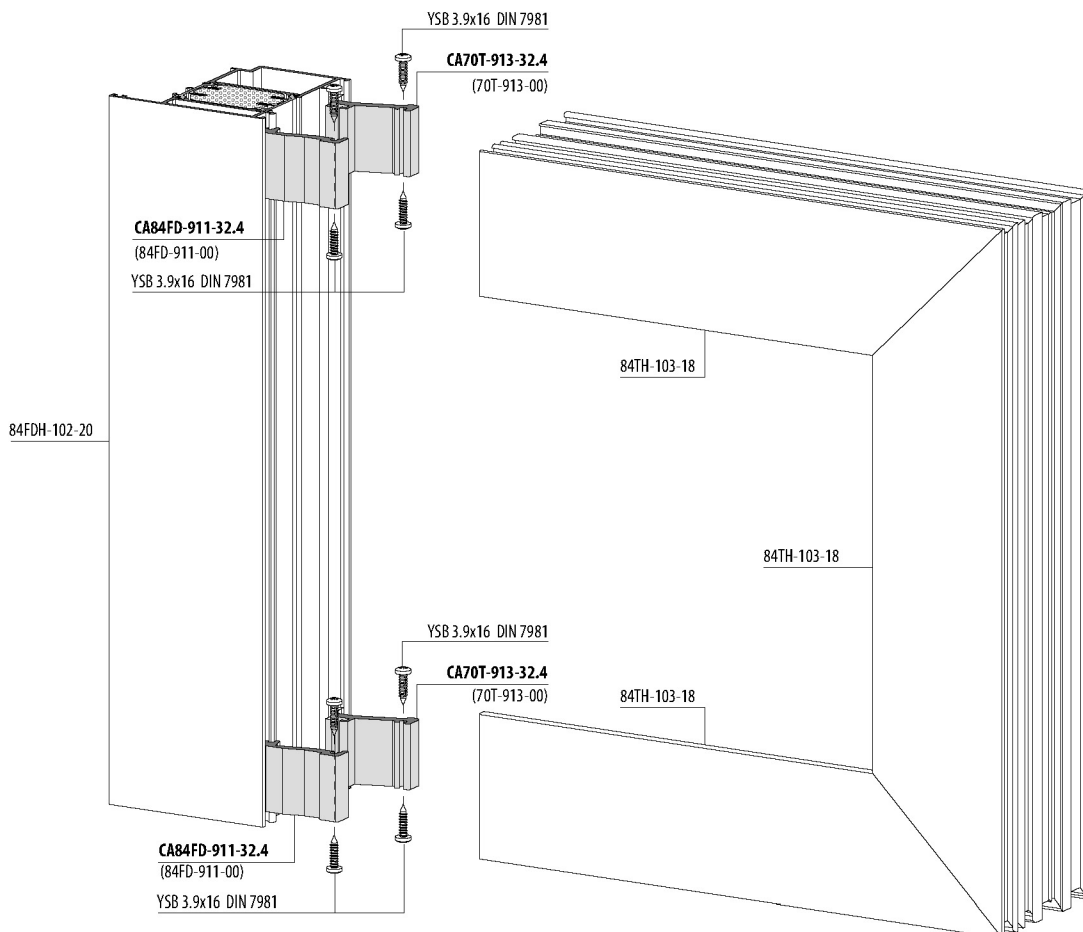
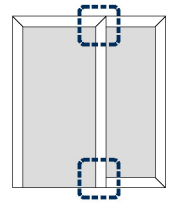
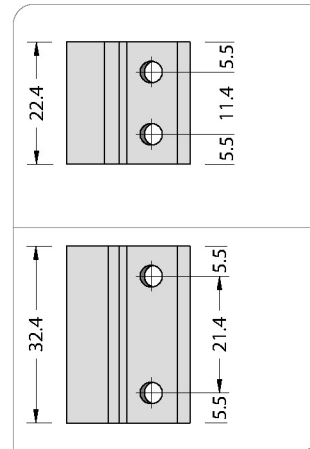
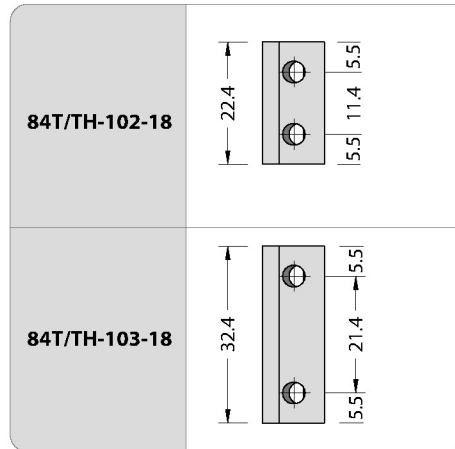
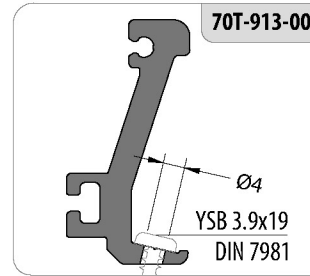
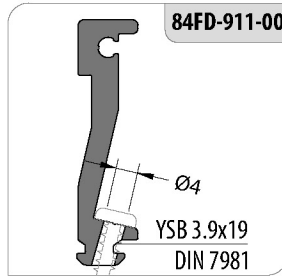
PACKAGE CODE PAKET KODU	DRAWING / ÇİZİM	APPLICATION / UYGULAMA	DESCRIPTION AÇIKLAMA	MATERIAL MALZEME	APPLICATION PROFILES ÇALIŞTIĞI PROFİLLER
EM70-21			Corner Joint Köşe Bağlantı	PVC	84T/TH-102-18 84T/TH-103-18 84T/TH-109-18
EM58-21			Corner Joint Köşe Bağlantı	PVC	84FD/FDH-211-18

**T JUNCTIONS / ÇEKTİRME BAĞLANTILAR**

CODE / KOD	DRAWING / ÇİZİM	APPLICATION / UYGULAMA	PROFILE CODE PROFİL KOD	CUTTING SIZE KESİM ÖLÇÜSÜ	APPLICATION PROFILES ÇALIŞTIĞI PROFİLLER
CA09-901-32.4			09-901-00	32.4 mm	84FDH-211-18
CA70T-911-32.4			70T-911-00	32.4 mm	84FDH-102-20 84TH-109-18
CA70T-913-22.4			70T-913-00	22.4 mm	84T/TH-102-18
CA70T-913-32.4			70T-913-00	32.4 mm	84FDH-102-20 84FDH-211-18 84T/TH-103-18
CA84FD-911-22.4			84FD-911-00	22.4 mm	84FDH-102-20 84T/TH-102-18
CA84FD-911-32.4			84FD-911-00	32.4 mm	84FDH-102-20 84T/TH-103-18
CA70T-911-32.4			70T-911-00	32.4 mm	84TH-303-18
CA70T-913-32.4			70T-913-00	32.4 mm	

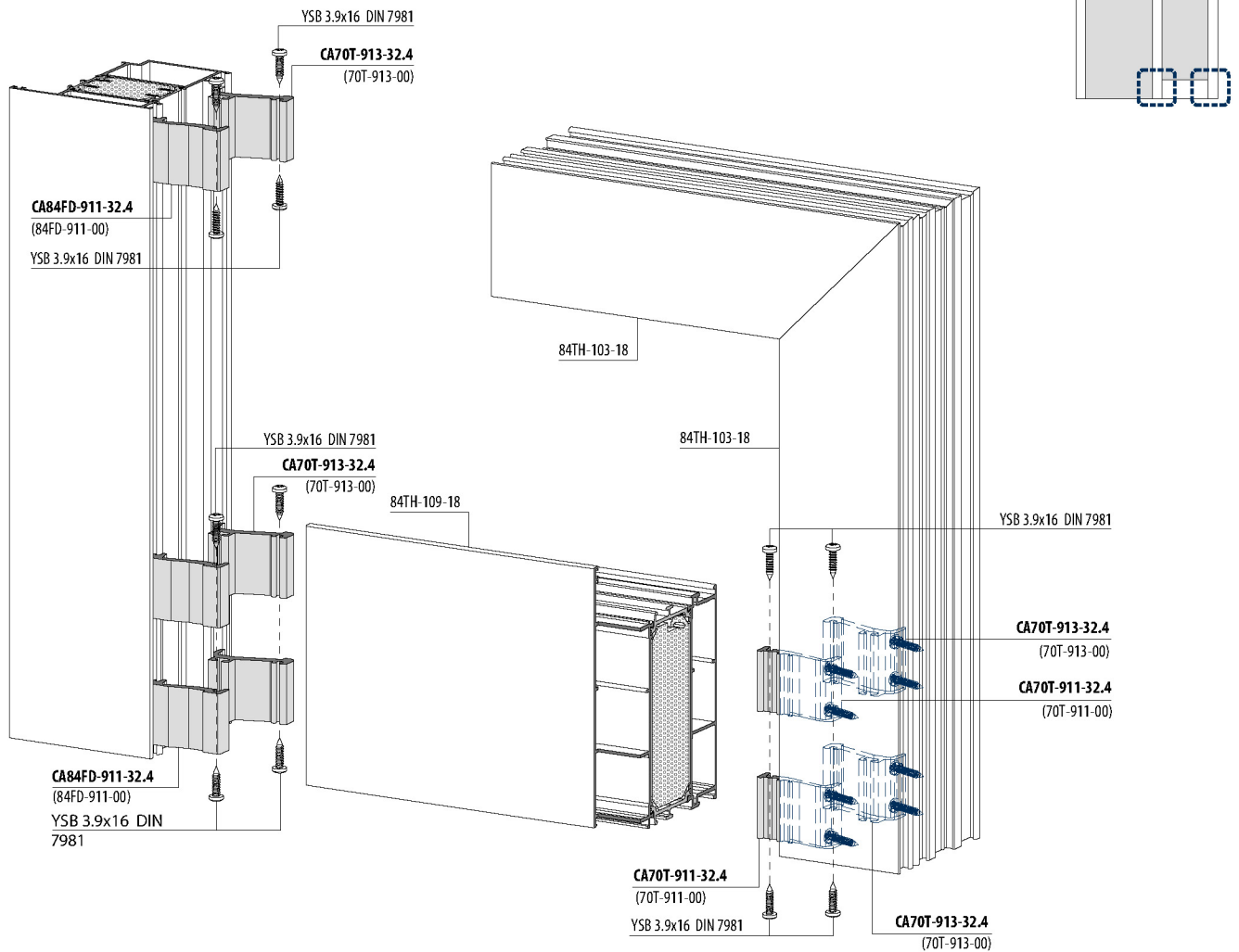
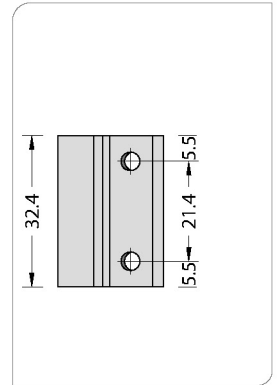
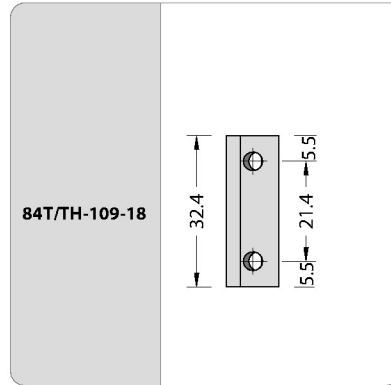
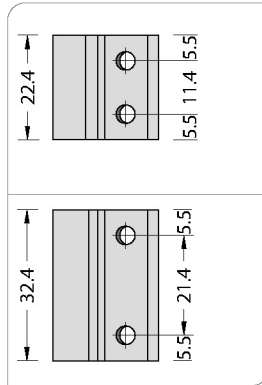
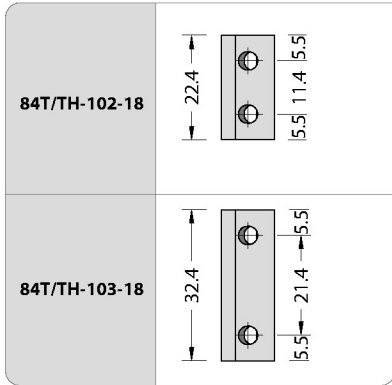
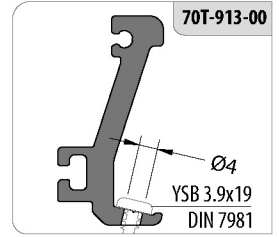
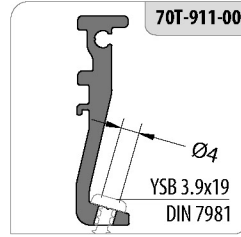
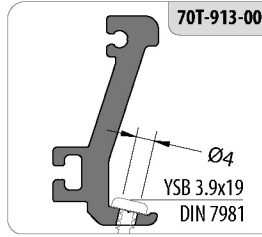
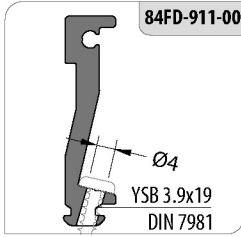
**T JUNCTIONS / ÇEKTİRME BAĞLANTILAR**

**T JUNCTION FOR 84T-103-18  
T BİRLEŞİM**

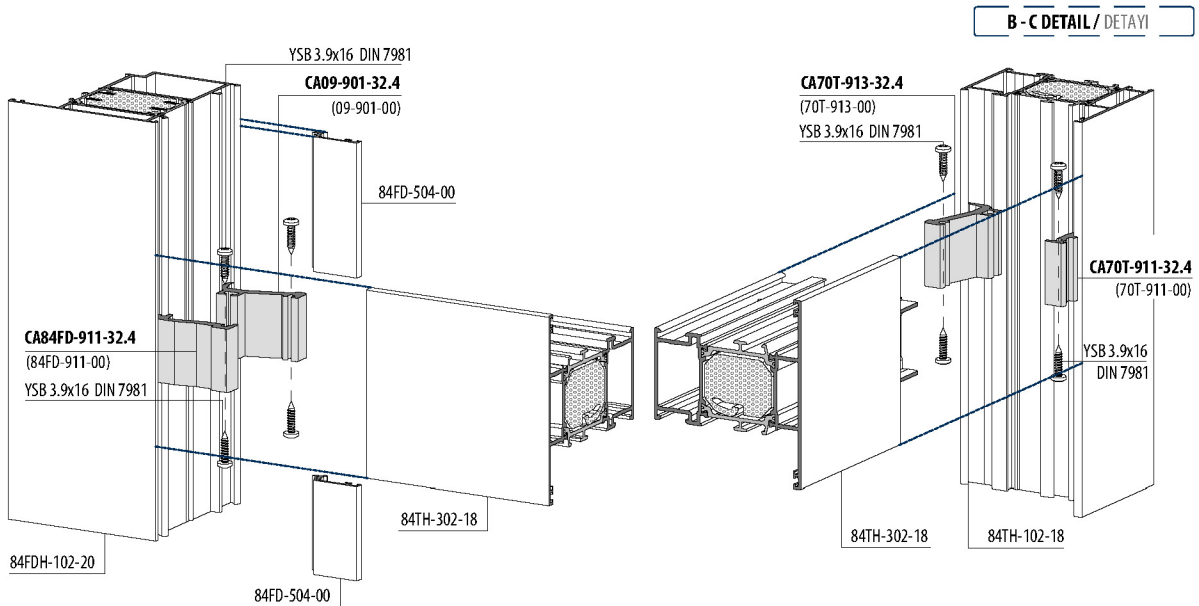
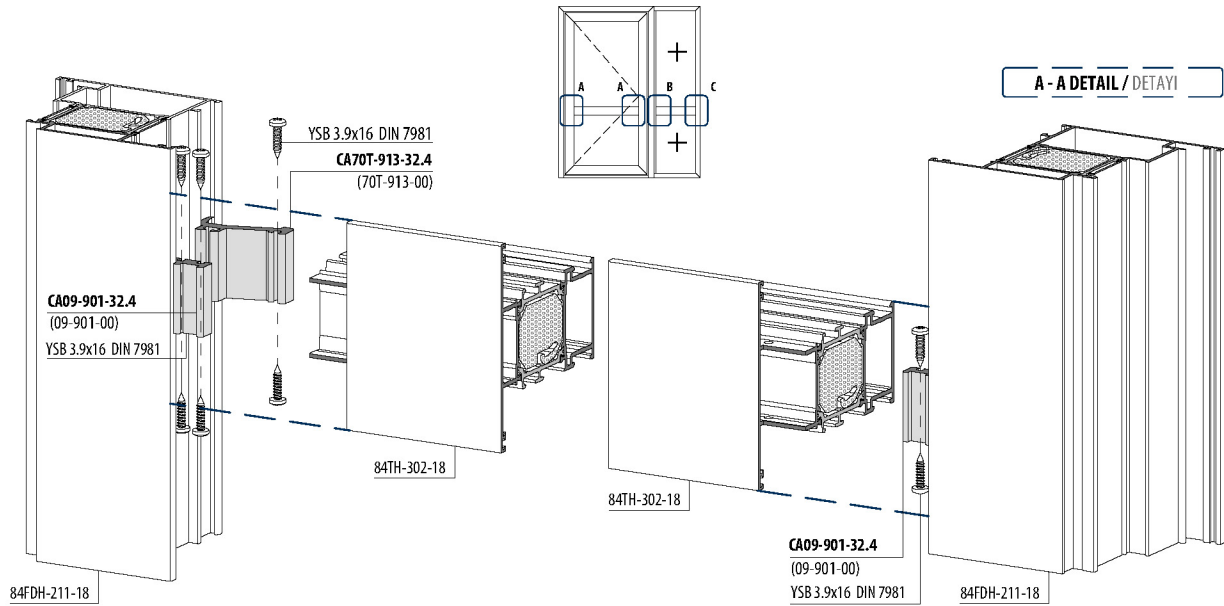
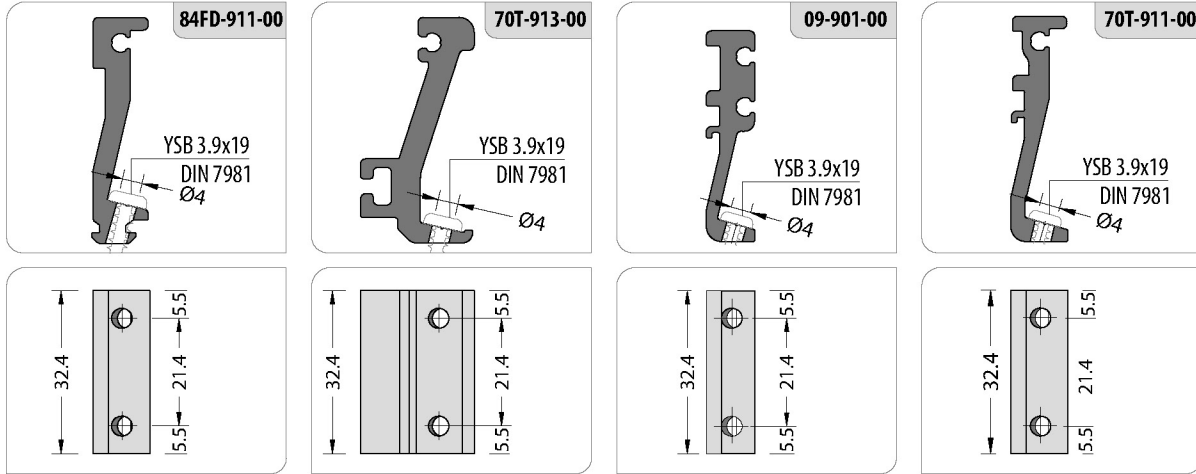


T JUNCTIONS / ÇEKTİRME BAĞLANTILAR





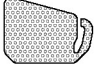
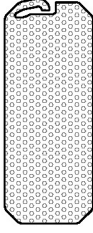

T JUNCTION FOR 84T-109-18  
T BİRLEŞİM



**T JUNCTIONS / ÇEKTİRME BAĞLANTILAR**













**EPS KÖPÜK**

CODE KOD	DRAWING ÇİZİM	APPLICATION PROFILES ÇALIŞTIĞI PROFİLLER	SIZE ÖLÇÜ (Meter / Metre)	CODE KOD	DRAWING ÇİZİM	APPLICATION PROFILES ÇALIŞTIĞI PROFİLLER	SIZE ÖLÇÜ (Meter / Metre)
HM84FD-102		84FD/FDH-102-20	2	HM84T-102		84T/TH-102-18 84T/TH-109-18	2
HM84FD-201		84FD/FDH-201-18 84FD/FDH-211-18 84FD/FDH-221-18	2	HM84T-103		84T/TH-303-18	2
HM84FD-212		84FD/FDH-212-18 84FD/FDH-222-18	2	HM84T-109		84T/TH-109-18	2
HM84FD-501		84FD/FDH-501-00	2				

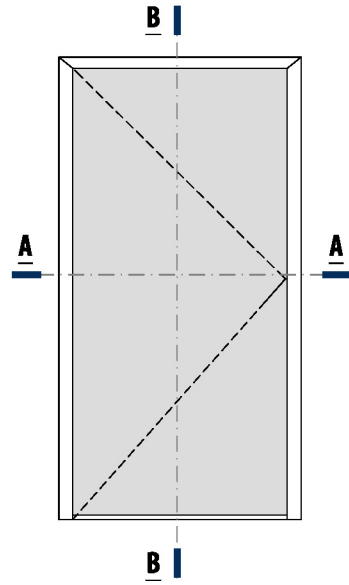
**ACCESSORIES / AKSESUARLAR**

PACKAGE CODE PAKET KODU	DRAWING / ÇİZİM	APPLICATION / UYGULAMA	APPLICATION PROFILES ÇALIŞTIĞI PROFİLLER	DESCRIPTION AÇIKLAMA	MATERIAL MALZEME
EM84FD-501 A-B			84FD/FDH-501-00	ADAPTER CAP ADAPTÖR KAPAĞI	PVC
EM84FD-501 C-D			84FD/FDH-501-00	ADAPTER CAP ADAPTÖR KAPAĞI	PVC
EM84FD-401			84FD-401-18	TRASHHOLD CAP EŞİK KAPAĞI	PVC
EM84T-G01			-	FRAME GLASS WEDGE KASA CAM TAKOZU	ABS
EM10-01 ( White / Beyaz )			-	DRAINAGE CAP TAHLİYE KAPAĞI	PVC
EM10-02 ( Black / Siyah )					
EM10-03 ( Brown / K.Rengi )					
EM10-04 ( Gray / Gri )					
EM10-05 ( L.Coffe / A. Kahve )					

**ACCESSORIES / AKSESUARLAR**

PACKAGE CODE PAKET KODU	PICTURE / RESİM	DESCRIPTION AÇIKLAMA	PACKAGE CODE PAKET KODU	PICTURE / RESİM	DESCRIPTION AÇIKLAMA
002.84.7511		<b>DR HAHN ROLLENBAND DOOR HINGE 3D</b> ROLLENBAND KAPI MENTEŞESİ E6/EV1	010.84.2506		<b>CENTER STRIKER LEFT</b> KFV USB 2506-L DİL KARŞILIK SOL ( L )
002.27.6300		<b>3D DOOR HINGE</b> HN-6300 3'LU KAPI MENTEŞESİ	010.84.2507		<b>CENTER STRIKER RIGHT</b> KFV USB 2506-R DİL KARŞILIK SAĞ ( R )
007.54.9018		<b>DORMA STAINLES STEEL DOOR HANDLE RIGHT</b> DORMA ROZETLİ KAPI KOLU PASLANMAZ (55247) SAĞ	010.84.3630		<b>HOOK STRIKER</b> KFV USB 3630 KANCA KANCA KARŞILIK KUTULU
007.54.9017		<b>DORMA STAINLES STEEL DOOR HANDLE LEFT</b> DORMA ROZETLİ KAPI KOLU PASLANMAZ (55090) SOL			
007.41.9017		<b>150 CM STAINLESS PULL HANDLE</b> AK-1100 ÇEKME KOL PASLANMAZ (150 CM)			
010.84.0105		<b>SECURITY CYLINDER</b> BR-001 105 MM 30-10-65 (84FD GÜVENLİKLİ BAREL)			
010.84.6844		<b>MULTIPOINT LOCK</b> KFV U LAMA 24X45X92 ÜÇ NOKTA KANCA KİLİT 2170 MM			

CUTTING SIZE  
KESİM ÖLÇÜLERİ



**PROFILES / PROFİLLER**

Code / Kod	Drawing / Çizim	Cut / Kesim	Quantity / Miktar	Dimensions (mm) / Boyutlar	Mechanical Treatment / Mekanik İşlem
84FDH-102-20			1 Pcs / Adet	FL	-
			1 Pcs / Adet	FH	
			1 Pcs / Adet	FH	
84FDH-201-18			2 Pcs / Adet	SL= FL - 140	-
			2 Pcs / Adet	SH= FH - 93	
84FDH-401-18			1 Pcs / Adet	FL - 173	-

**CORNER JOINTS / KÖŞE BAĞLANTILAR**

Code / Kod	Quantity / Miktar	Picture / Resim
CC-131-23.6	2 Pcs / Adet	
CC-131-07.9	2 Pcs / Adet	
CC-149-22.7	4 Pcs / Adet	
CC-108-05.0	4 Pcs / Adet	

**GASKETS / FİTİLLER**

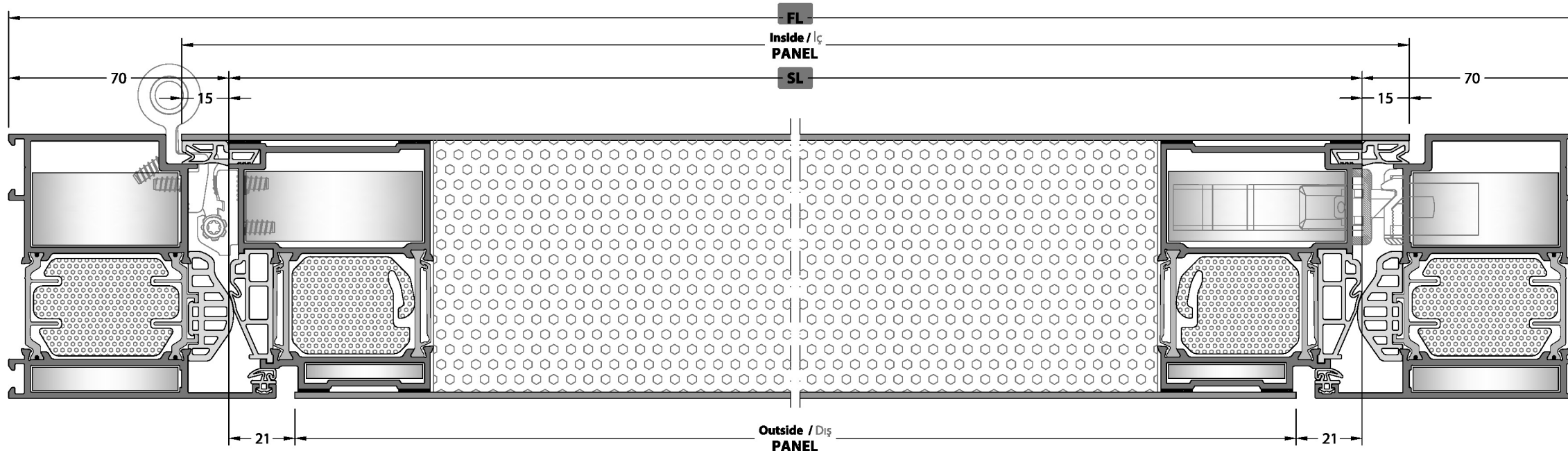
Code / Kod	Picture / Resim	Quantity / Miktar
EM84FD-01		2FL + 2FH
EM84FD-19		2FL + 2FH
EM84FD-03		2FL + 2FH
EM3-09		1FL + 2FH
EM84-410		1FL

**CONSUMABLE MATERIALS / SARF MALZEMELER**

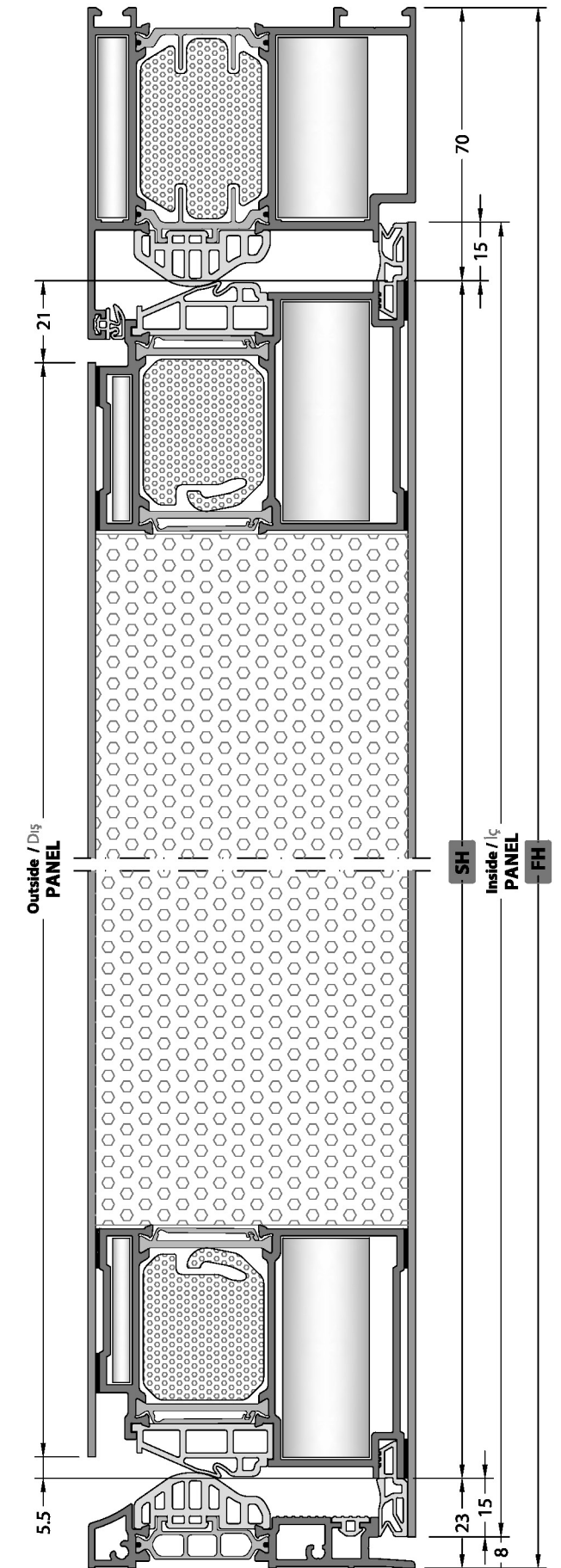
Code / Kod	Description / Açıklama	Quantity (pcs-m) / Miktar (Paket)	Picture / Resim
EM84FD-401	CAP / KAPAK	1 Set / Takım	
EM84FD-C01	ENJECTION CORNER / ENJEKSİYON KÖŞE	4 Piece / Adet	

**PANEL / PANEL**

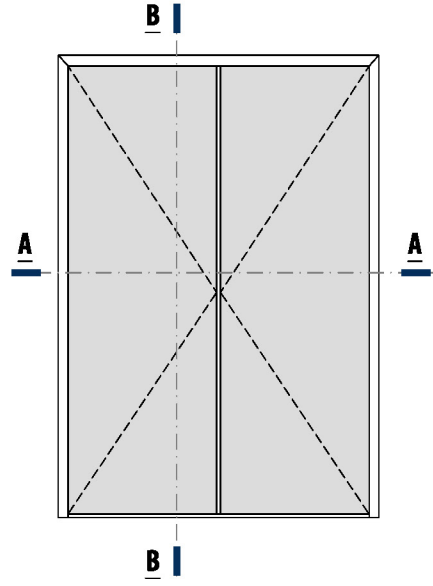
Code / Kod	Drawing / Çizim	Quantity / Miktar	Dimensions (mm) / Boyutlar
Inside / İç PANEL		1 Pcs / Adet	SL + 30
			SH + 30
Outside / Dış PANEL		1 Pcs / Adet	SL - 42
			SH - 26
EPS PANEL		1 Pcs / Adet	SL - 130
			SH - 130



**A-A SECTION / KESİTİ**



**B-B SECTION / KESİTİ**



**PROFILES / PROFİLLER**

Code / Kod	Drawing / Çizim	Cut / Kesim	Quantity / Miktar	Dimensions (mm) / Boyutlar	Mechanical Treatment / Mekanik İşlem
84FDH-102-20			1 Pcs / Adet	FL	-
			1 Pcs / Adet	FH	
			1 Pcs / Adet	FH	
84FDH-201-18			4 Pcs / Adet	SL = (FL - 175) / 2	-
			4 Pcs / Adet	SH = FH - 93	
84FDH-501-18			1 Pcs / Adet	SH - 15	✓
84FDH-401-18			1 Pcs / Adet	FL - 173	-

**CORNER JOINTS / KÖŞE BAĞLANTILAR**

Code / Kod	Quantity / Miktar	Picture / Resim
CC-131-23.6	2 Pcs / Adet	
CC-131-07.9	2 Pcs / Adet	
CC-149-22.7	8 Pcs / Adet	
CC-108-05.0	8 Pcs / Adet	

**GASKETS / FİTİLLER**

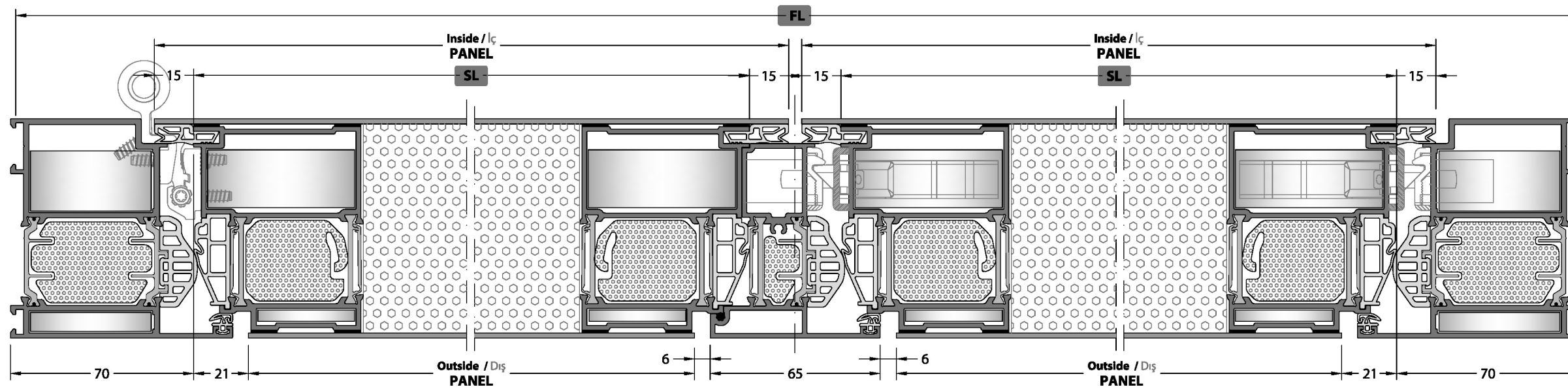
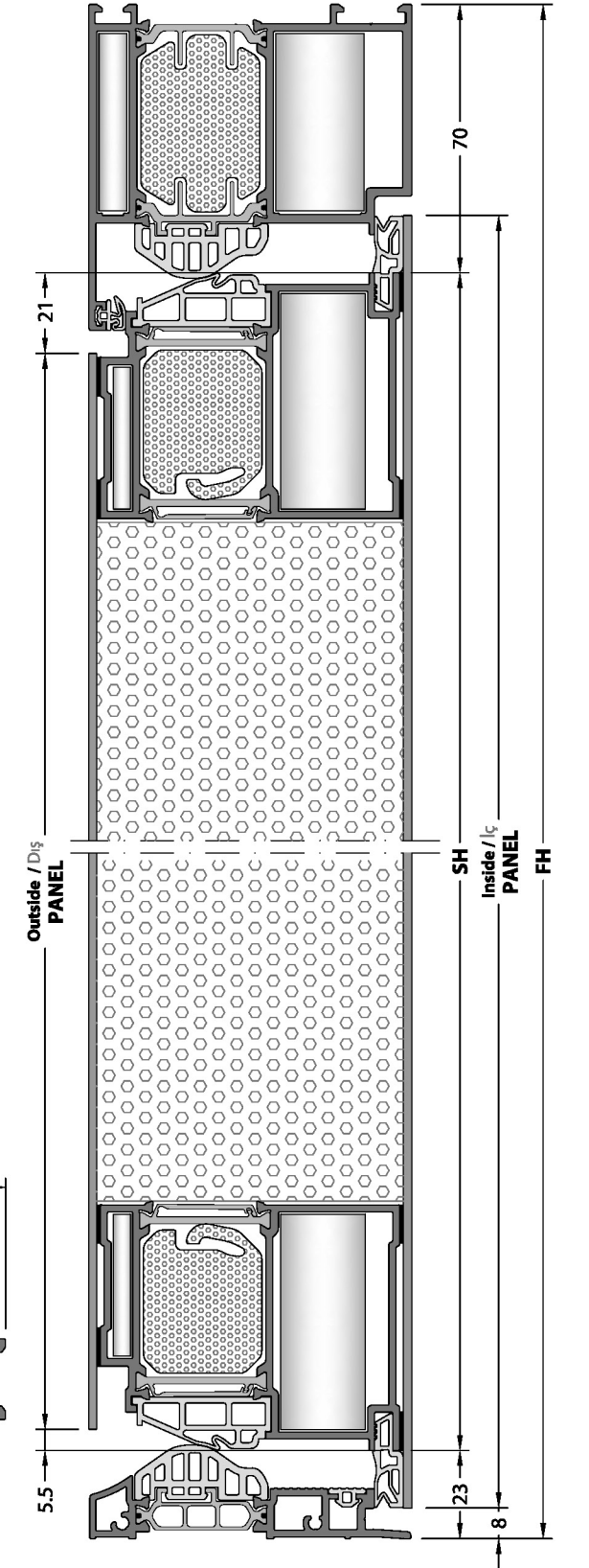
Code / Kod	Picture / Resim	Quantity / Miktar
EM84FD-01		2FL + 4FH
EM84FD-19		2FL + 3FH
EM84FD-03		2FL + 4FH
EM3-09		1FL + 3FH
EM84-410		1FL
O.RING-3 mm		1FH

**CONSUMABLE MATERIALS / SARF MALZEMELER**

Code / Kod	Description / Açıklama	Quantity (pcs-m) / Miktar (Paket)	Picture / Resim
EMB4FD-501 A-B	ADAPTER CAP / ADAPTOR KAPAGI	1 Set / Takım	
EMB4FD-501 C-D		1 Set / Takım	
EMB4FD-401	CAP / KAPAK	1 Set / Takım	
EMB4FD-C01	ENJECTION CORNER / ENJEKSYON KÖŞE	6 Piece / Adet	
EMB4FD-C02	ENJECTION CORNER / ENJEKSYON KÖŞE	1 Set / Takım	

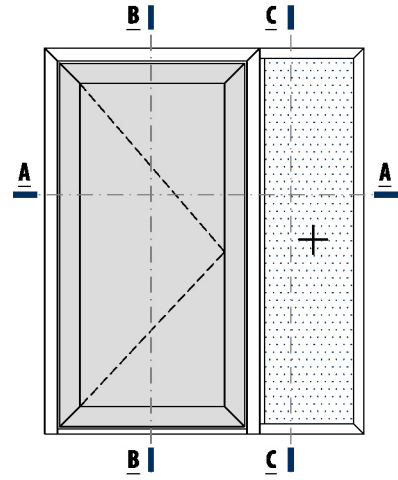
**PANEL / PANEL**

Code / Kod	Drawing / Çizim	Quantity / Miktar	Dimensions (mm) / Boyutlar
Inside / İç PANEL		2 Pcs / Adet	SL + 30
			SH + 30
Outside / Dış PANEL		2 Pcs / Adet	SL - 42
			SH - 26
EPS PANEL		1 Pcs / Adet	SL - 130
			SH - 130



**A-A SECTION / KESİTİ**

**B-B SECTION / KESİTİ**



**PROFILES / PROFİLLER**

Code / Kod	Drawing / Çizim	Cut / Kesim	Quantity / Miktar	Dimensions (mm) / Boyutlar	Mechanical Treatment / Mekanik İşlem
84FDH-102-20			1 Pcs / Adet	FL1	-
			1 Pcs / Adet	FH	
			1 Pcs / Adet	FH	
84FDH-201-18			2 Pcs / Adet	SL= FL1 - 140	-
			2 Pcs / Adet	SH= FH - 93	
84TH-103-18			1 Pcs / Adet	FL2	-
			1 Pcs / Adet	FL2	
			1 Pcs / Adet	FH	
08-217-00			2 Pcs / Adet	CL = FL2 - A	-
			2 Pcs / Adet	CH = FH - 2A - 44	
84FD-504-00			1 Pcs / Adet	FH - 2A - 50	-
84FDH-401-18			1 Pcs / Adet	FL1 - 173	-

**CORNER JOINTS / KÖŞE BAĞLANTILAR**

Code / Kod	Quantity / Miktar	Picture / Resim
CC-131-23.6	2 Pcs / Adet	
CC-131-07.9	2 Pcs / Adet	
CC-149-22.7	4 Pcs / Adet	
CC-108-05.0	4 Pcs / Adet	
CC-124-22.6 or / yada KC-809-22.4	2 Pcs / Adet	
CC-124-11.0 or / yada CPA-124-11.0	2 Pcs / Adet	
EM70-21	2 Pcs / Adet	
CA84FD-911-32.4	2 Pcs / Adet	
CA70T-913-32.4	2 Pcs / Adet	

**GLASS / CAM**

Code / Kod	Drawing / Çizim	Quantity / Miktar	Dimensions (mm) / Boyutlar
Glass / Cam		1 Pcs / Adet	GL = FL2 - A - 20 GH = FH - 2A - 20

**GASKETS / FİTİLLER**

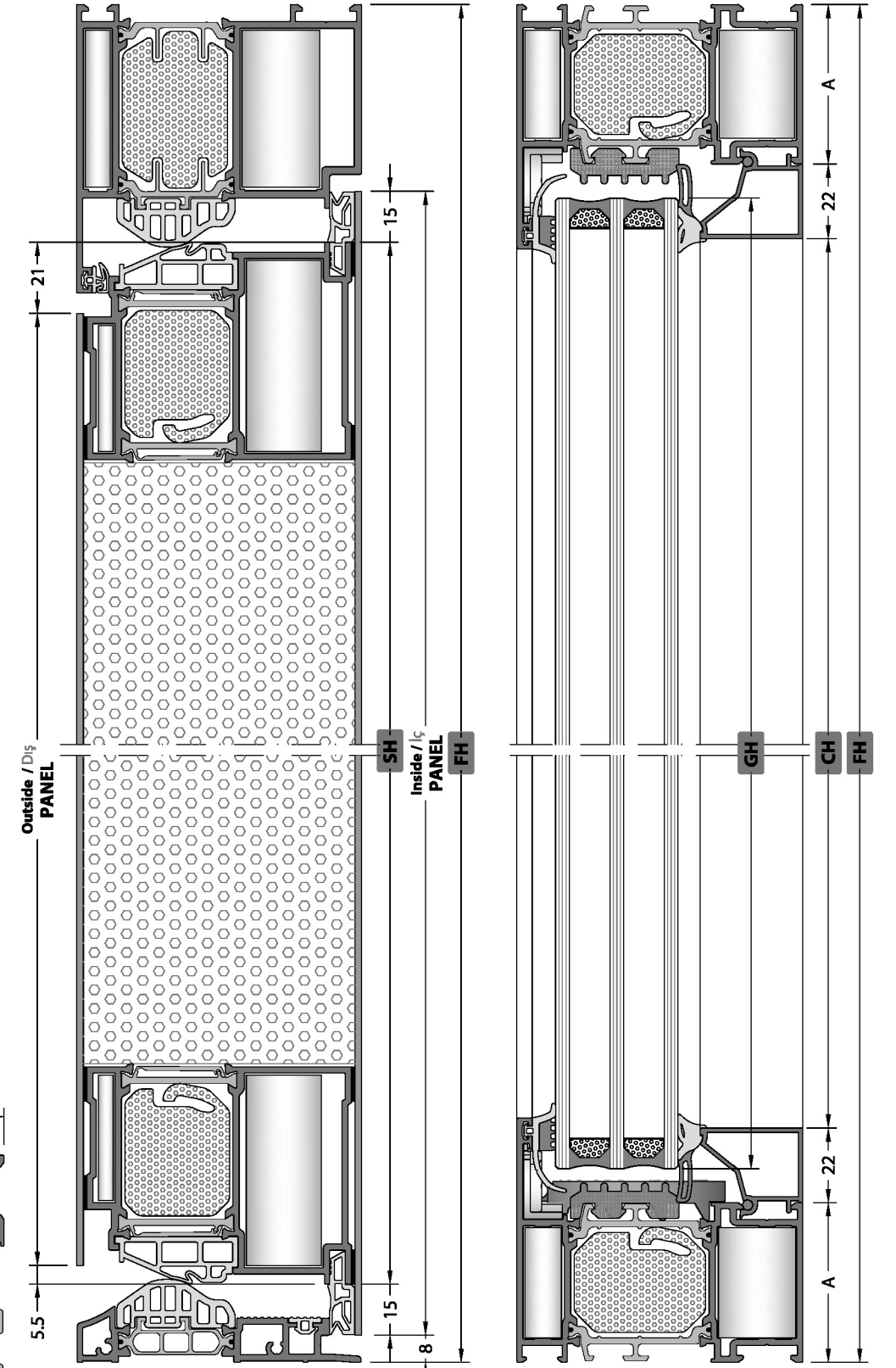
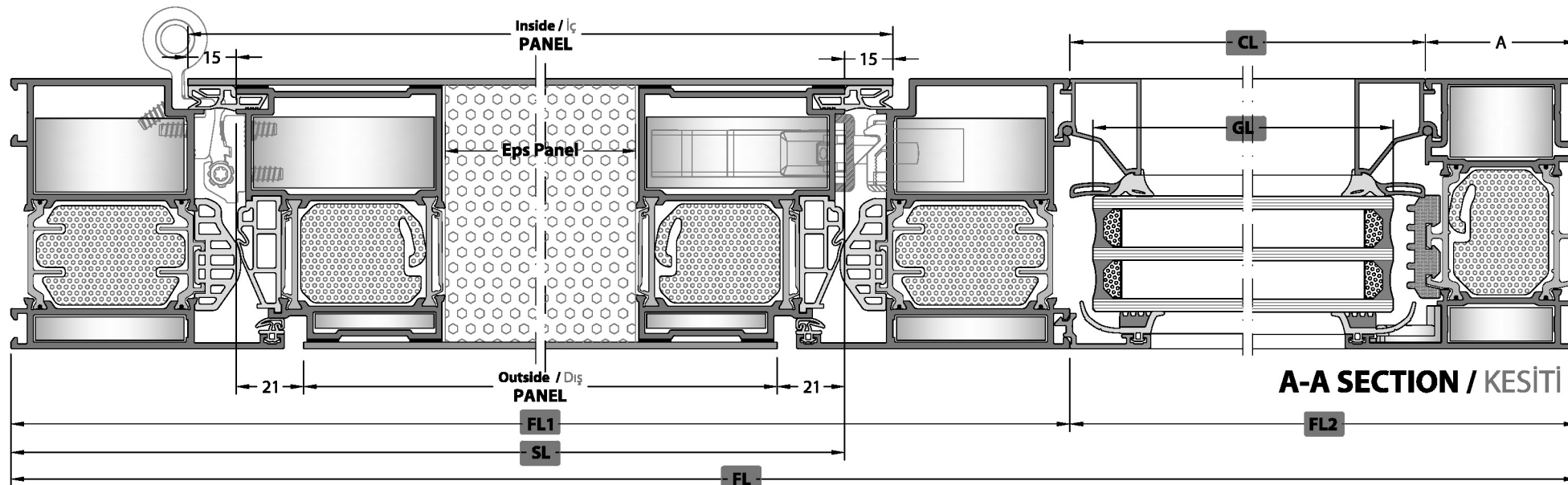
Code / Kod	Picture / Resim	Quantity / Miktar
EM84FD-01		2FL1 + 2FH
EM84FD-19		2FL1 + 2FH
EM84FD-03		(2 SL + 30) (2 SH + 30)
EM3-09		1SL + 2SH
EM84-410		1FL1
O.RING-3 mm		2FL2 + 2FH
EM2-11		2FL2 + 2FH
EM1-25		2FL2 + 2FH
EM84-11		2FL2 + 2FH

**CONSUMABLE MATERIALS / SARF MALZEMELER**

Code / Kod	Description / Açıklama	Quantity (pcs-m) / Miktar (Paket)	Picture / Resim
EM84FD-401	CAP / KAPAK	1 Set / Takım	
EM84FD-C01	ENJECTION CORNER / ENJEKSİYON KÖŞE	4 Piece / Adet	
EM84T-G01	FRAME GLASS WEDGE / KASA CAM TAKOZU	2 Piece / Adet	

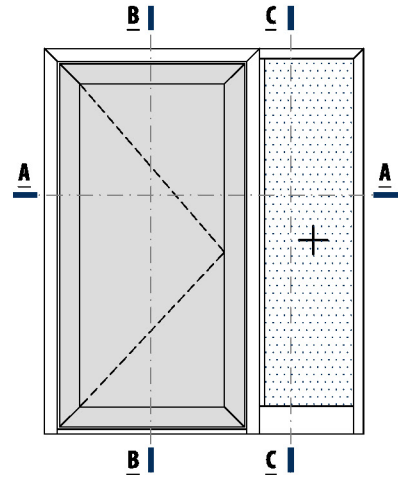
**PANEL / PANEL**

Code / Kod	Drawing / Çizim	Quantity / Miktar	Dimensions (mm) / Boyutlar
Inside / İç PANEL		1 Pcs / Adet	SL + 30 SH + 30
Outside / Dış PANEL		1 Pcs / Adet	SL - 42 SH - 26
EPS PANEL		1 Pcs / Adet	SL - 130 SH - 130



**B-B SECTION / KESİTİ**

**C-C SECTION / KESİTİ**



**GLASS / CAM**

Code / Kod	Drawing / Çizim	Quantity / Miktar	Dimensions (mm) / Boyutlar
Glass / Cam		1 Pcs / Adet	GL = FL2 - A - 20 GH = FH - A - 135

**PROFILES / PROFİLLER**

Code / Kod	Drawing / Çizim	Cut / Kesim	Quantity / Miktar	Dimensions (mm) / Boyutlar	Mechanical Treatment / Mekanik İşlem
84FDH-102-20			1 Pcs / Adet	FL1	-
			1 Pcs / Adet	FH	
			1 Pcs / Adet	FH	
84FDH-201-18			2 Pcs / Adet	SL= FL1 - 140	-
			2 Pcs / Adet	SH= FH - 93	
84TH-103-18			1 Pcs / Adet	FL2	-
			1 Pcs / Adet	FH	
84TH-109-18			1 Pcs / Adet	FL2 - A	✓
08-217-00			2 Pcs / Adet	CL = FL2 - A	-
			2 Pcs / Adet	CH= FH - A - 159	
84FD-504-00			1 Pcs / Adet	FH - A - 165	-
84FDH-401-18			1 Pcs / Adet	FL1 - 173	-

**GASKETS / FİTİLLER**

Code / Kod	Picture / Resim	Quantity / Miktar
EM84FD-01		2FL1 + 2FH
EM84FD-19		2FL1 + 2FH
EM84FD-03		(2 SL + 30) (2 SH + 30)
EM3-09		1SL + 2SH
EM84-410		1FL1
0.RING-3 mm		2FL2 + 2FH
EM2-11		2FL2 + 2FH
EM1-25		2FL2 + 2FH
EM84-11		2FL2 + 2FH

**CORNER JOINTS / KÖŞE BAĞLANTILAR**

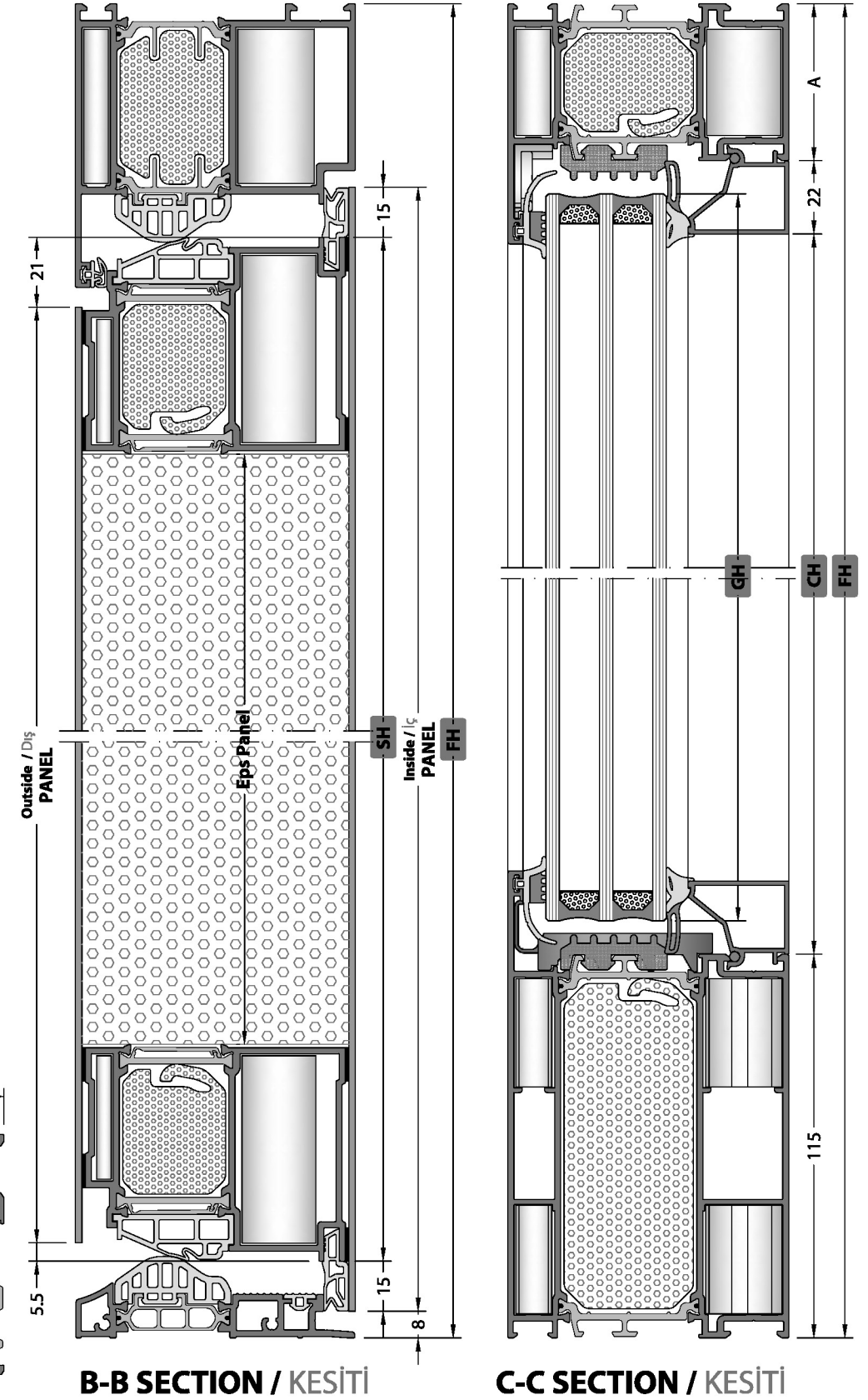
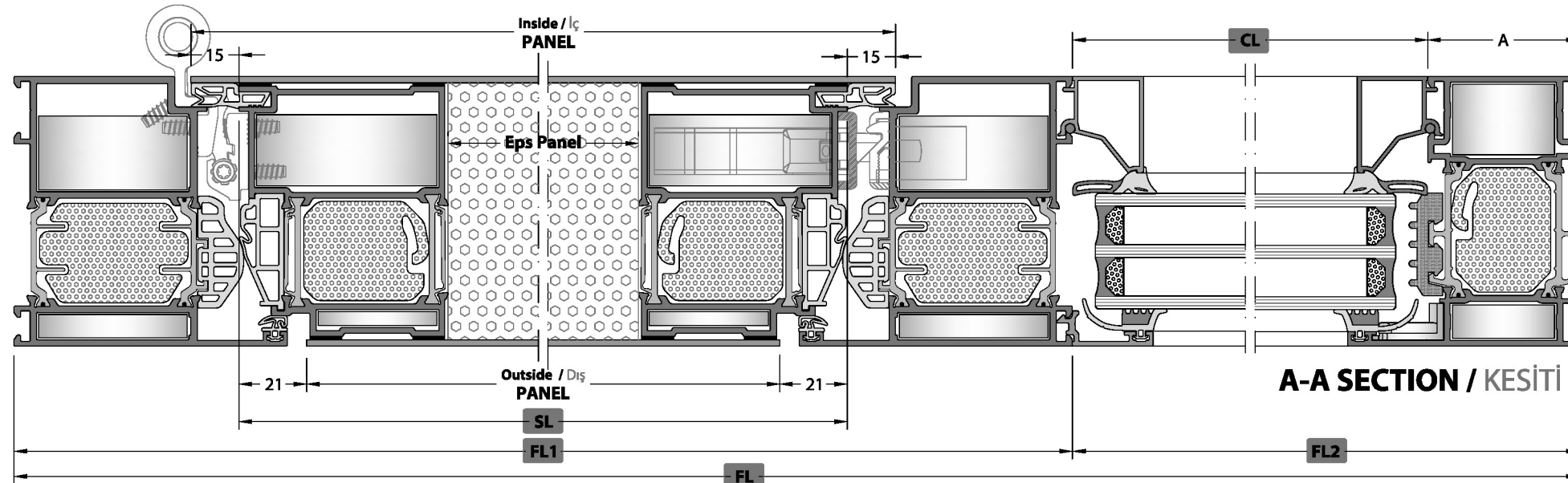
Code / Kod	Quantity / Miktar	Picture / Resim
CC-131-23.6	2 Pcs / Adet	
CC-131-07.9	2 Pcs / Adet	
CC-149-22.7	4 Pcs / Adet	
CC-108-05.0	4 Pcs / Adet	
CC-124-22.6 or / yada KC-809-22.4	1 Pcs / Adet	or / yada
CC-124-11.0 or / yada CPA-124-11.0	1 Pcs / Adet	or / yada
EM70-21	1 Pcs / Adet	
CA70T-911-32.4	2 Pcs / Adet	
CA84FD-911-32.4	3 Pcs / Adet	
CA70T-913-32.4	5 Pcs / Adet	

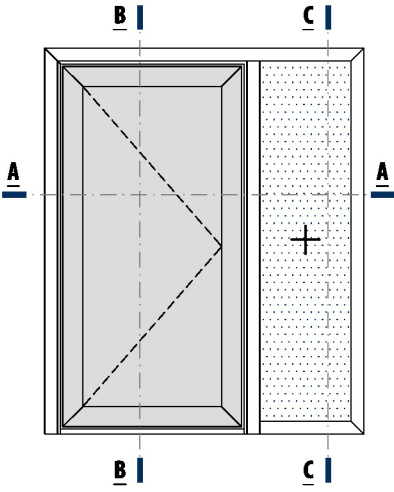
**CONSUMABLE MATERIALS / SARF MALZEMELER**

Code / Kod	Description / Açıklama	Quantity (pcs-m) / Miktar (Paket)	Picture / Resim
EM84FD-401	CAP / KAPAK	1 Set / Takım	
EM84FD-C01	ENJECTION CORNER / ENJEKSİYON KÖŞE	4 Piece / Adet	
EM84T-G01	FRAME GLASS WEDGE / KASA CAM TAKOZU	2 Piece / Adet	

**PANEL / PANEL**

Code / Kod	Drawing / Çizim	Quantity / Miktar	Dimensions (mm) / Boyutlar
Inside / İç PANEL		1 Pcs / Adet	SL + 30
			SH + 30
Outside / Dış PANEL		1 Pcs / Adet	SL - 42
			SH - 26
EPS PANEL		1 Pcs / Adet	SL - 130
			SH - 130





**GLASS / CAM**

Code / Kod	Drawing / Çizim	Quantity / Miktar	Dimensions (mm) / Boyutlar
Glass / Cam		1 Pcs / Adet	GL = FL2 - A - (B/2) - 20 GH = FH - 2A - 20

**PROFILES / PROFİLLER**

Code / Kod	Drawing / Çizim	Cut / Kesim	Quantity / Miktar	Dimensions (mm) / Boyutlar	Mechanical Treatment / Mekanik İşlem
84TH-103-18			1 Pcs / Adet	FL	-
			1 Pcs / Adet	FH	
			1 Pcs / Adet	FH	
			1 Pcs / Adet	FL2 - (B/2)	
84FDH-201-18			2 Pcs / Adet	SL = FL1 - A - (B/2) - 40	-
			2 Pcs / Adet	SH = FH - A - 43	
84FD-502-00			1 Pcs / Adet	SL + 50	-
			1 Pcs / Adet	SH + 48	
			1 Pcs / Adet	SH + 48	
84FD-303-18			1 Pcs / Adet	FH - A	✓
08-217-00			2 Pcs / Adet	FL2 - A - (B/2)	-
			2 Pcs / Adet	FH - 2A - 44	
84FDH-401-18			1 Pcs / Adet	SL - 33	-

**GASKETS / FİTİLLER**

Code / Kod	Picture / Resim	Quantity / Miktar
EM84FD-01		2FL1 + 2FH
EM84FD-19		2FL1 + 2FH
EM84FD-03		(2 SL + 30) (2 SH + 30)
EM3-09		1SL + 2SH
EM84-410		1FL1
O.RING-3 mm		2FL2 + 2FH
EM2-11		2FL2 + 2FH
EM1-25		2FL2 + 2FH
EM84-11		2FL2 + 2FH

**CORNER JOINTS / KÖŞE BAĞLANTILAR**

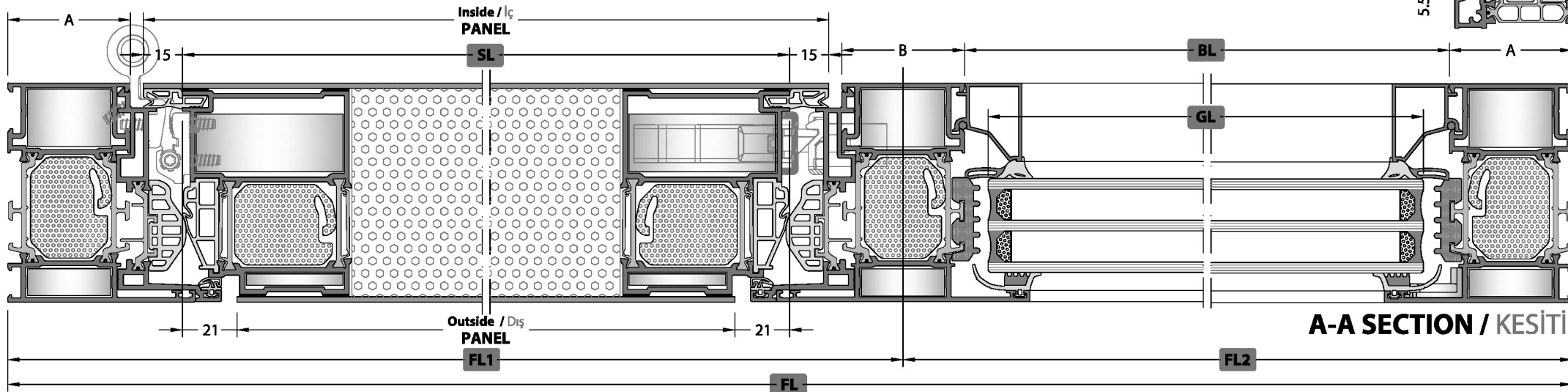
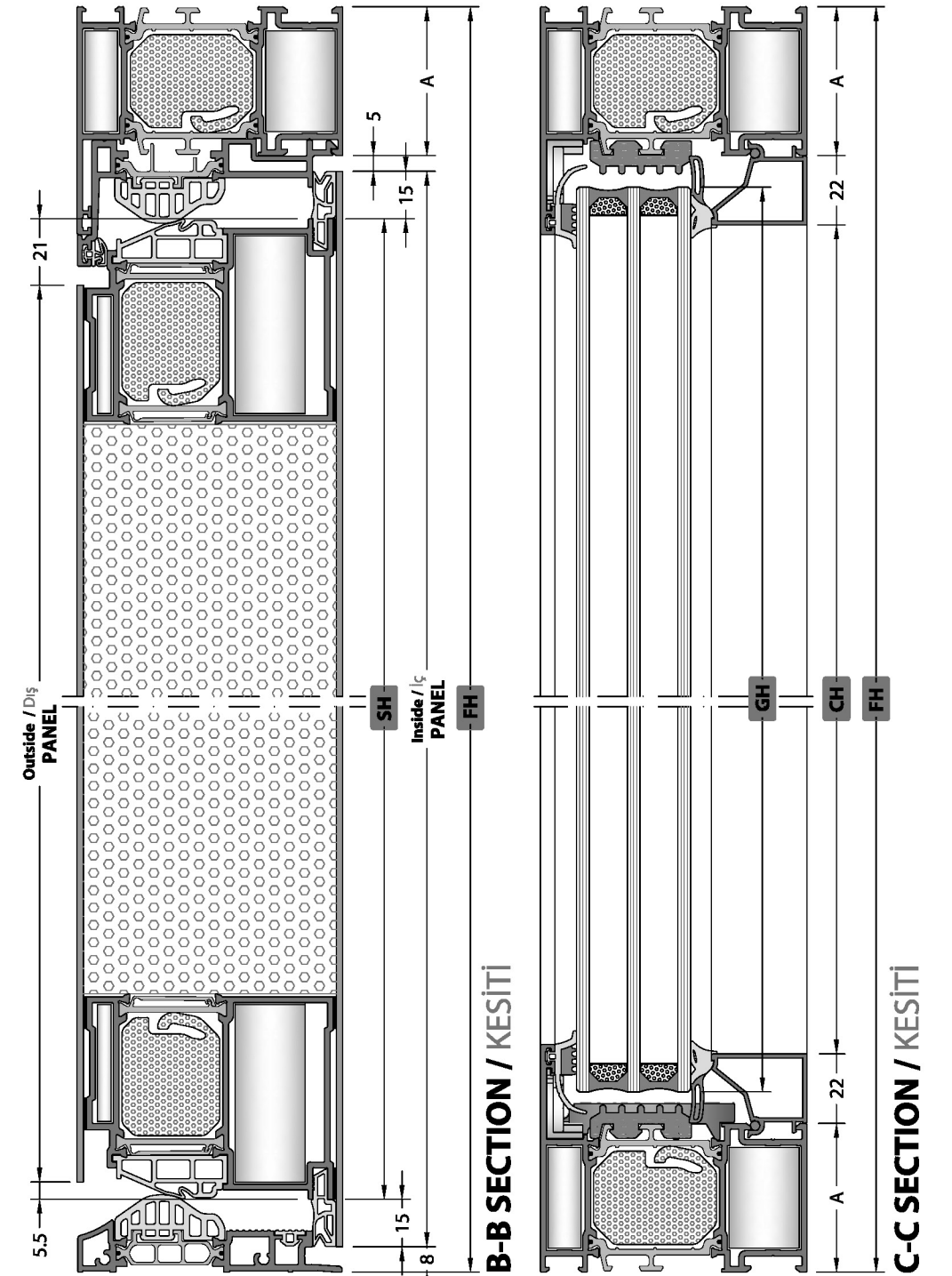
Code / Kod	Quantity / Miktar	Picture / Resim
CC-124-22.6 or / yada KC-809-22.4	3 Pcs / Adet	
CC-124-111.0 or / yada CPA-124-111.0	3 Pcs / Adet	
CC-149-22.7	4 Pcs / Adet	
CC-108-05.0	4 Pcs / Adet	
CA70T-911-32.4	2 Pcs / Adet	
CA70T-913-32.4	2 Pcs / Adet	
EM70-21	3 Pcs / Adet	

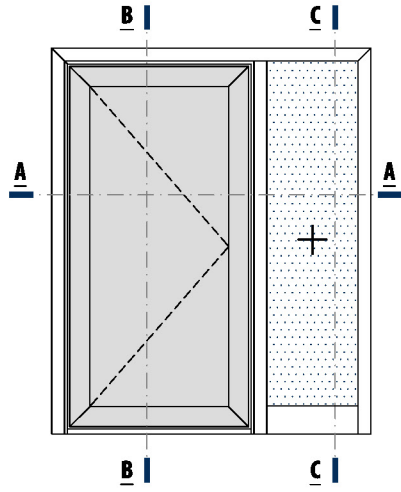
**CONSUMABLE MATERIALS / SARF MALZEMELER**

Code / Kod	Description / Açıklama	Quantity (pcs-m) / Miktar (Paket)	Picture / Resim
EM84FD-401	CAP / KAPAK	1 Set / Takım	
EM84FD-C01	ENJECTION CORNER / ENJEKSİYON KÖŞE	4 Piece / Adet	
EM84T-G01	FRAME GLASS WEDGE / KASA CAM TAKOZU	2 Piece / Adet	

**PANEL / PANEL**

Code / Kod	Drawing / Çizim	Quantity / Miktar	Dimensions (mm) / Boyutlar
Inside / İç PANEL		1 Pcs / Adet	SL + 30
			SH + 30
Outside / Dış PANEL		1 Pcs / Adet	SL - 42
			SH - 26
EPS PANEL		1 Pcs / Adet	SL - 130 SH - 130





**GLASS / CAM**

Code / Kod	Drawing / Çizim	Quantity / Miktar	Dimensions (mm) / Boyutlar
Glass / Cam		1 Pcs / Adet	GL = FL2 - A - (B/2) - 20 GH = FH - A - 135

**PROFILES / PROFİLLER**

Code / Kod	Drawing / Çizim	Cut / Kesim	Quantity / Miktar	Dimensions (mm) / Boyutlar	Mechanical Treatment / Mekanik İşlem
84TH-103-18			1 Pcs / Adet	FL	-
			1 Pcs / Adet	FH	
			1 Pcs / Adet	FH	
84FDH-201-18			2 Pcs / Adet	SL = FL1 - A - (B/2) - 40	-
			2 Pcs / Adet	SH = FH - A - 43	
84FD-502-00			1 Pcs / Adet	SL + 50	-
			1 Pcs / Adet	SH + 48	
			1 Pcs / Adet	SH + 48	
84FD-303-18			1 Pcs / Adet	FH - A	✓
84TH-109-18			1 Pcs / Adet	FL2 - A - (B/2)	✓
08-217-00			2 Pcs / Adet	FL2 - A - (B/2)	-
			2 Pcs / Adet	FH - A - 159	
84FDH-401-18			1 Pcs / Adet	SL - 33	-

**CORNER JOINTS / KÖŞE BAĞLANTILAR**

Code / Kod	Quantity / Miktar	Picture / Resim
CC-124-22.6 or / yada KC-809-22.4	2 Pcs / Adet	
CC-124-11.0 or / yada CPA-124-11.0	2 Pcs / Adet	
CC-149-22.7	4 Pcs / Adet	
CC-108-05.0	4 Pcs / Adet	
CA70T-911-32.4	5 Pcs / Adet	
CA70T-913-32.4	5 Pcs / Adet	
EM70-21	2 Pcs / Adet	

**CONSUMABLE MATERIALS / SARF MALZEMELER**

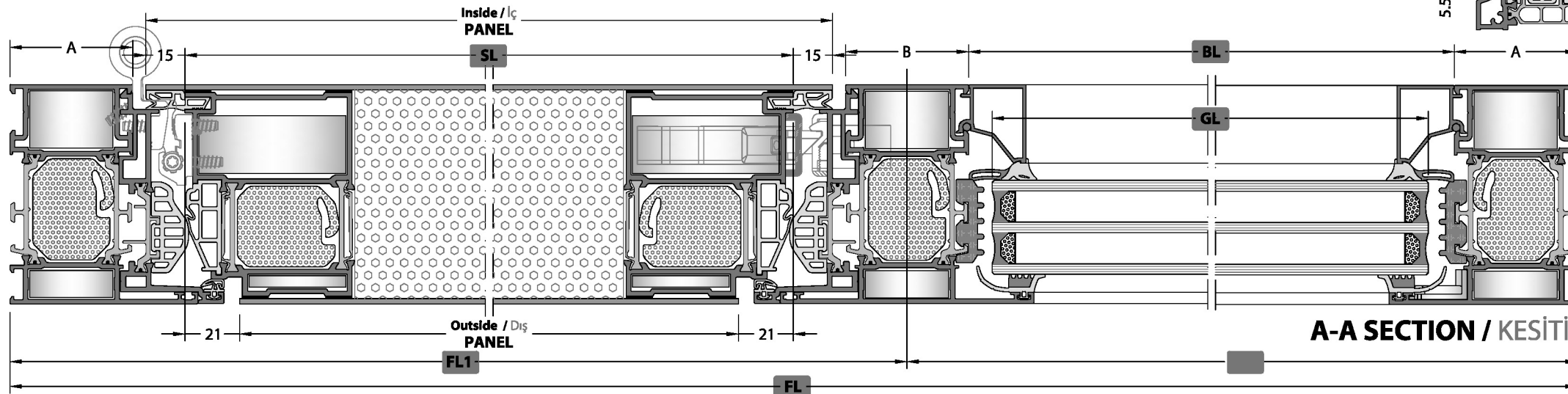
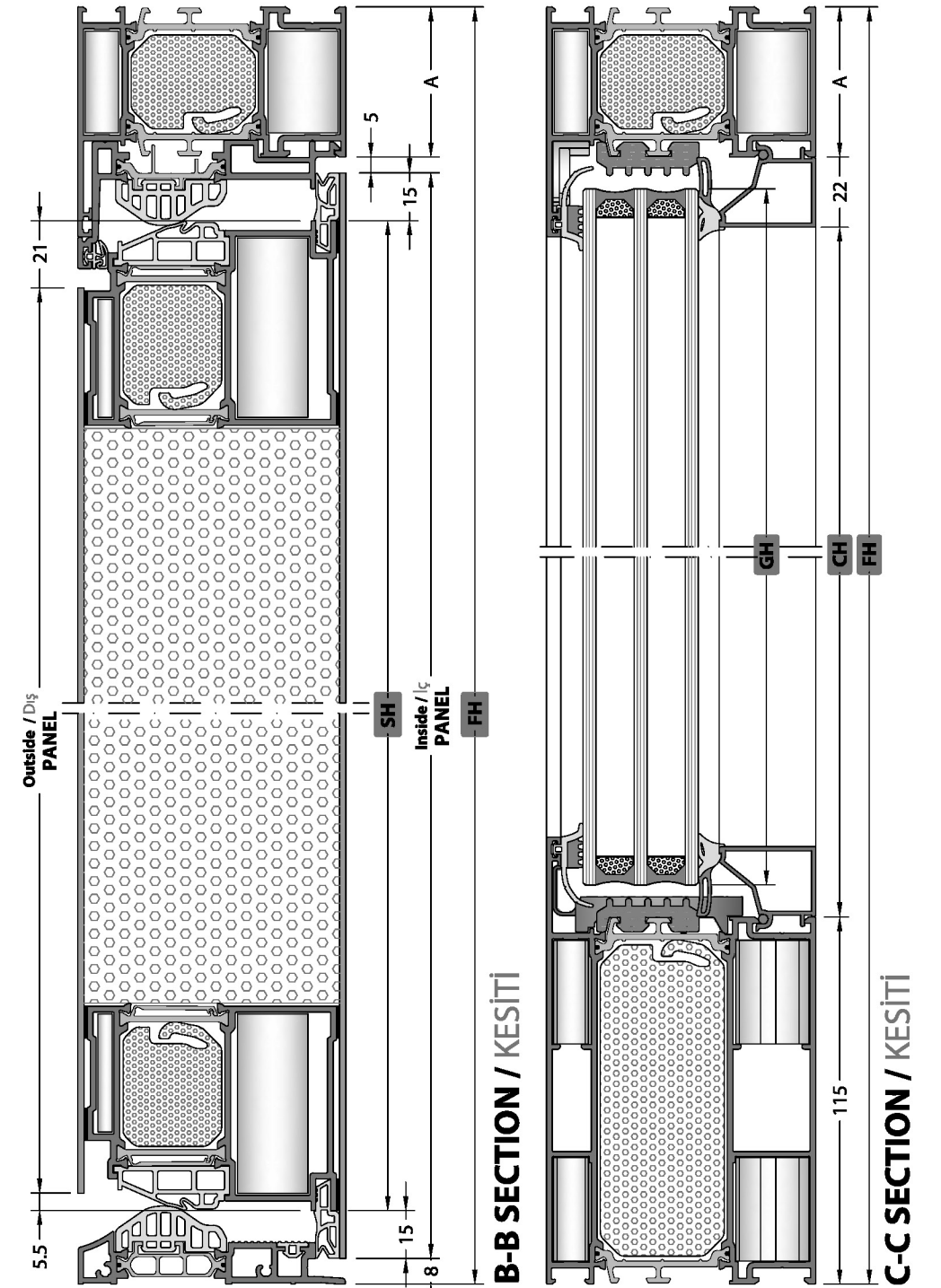
Code / Kod	Description / Açıklama	Quantity (pcs-m) / Miktar (Paket)	Picture / Resim
EM84FD-401	CAP / KAPAK	1 Set / Takım	
EM84FD-C01	ENJECTION CORNER / ENJEKSİYON KÖŞE	4 Piece / Adet	
EM84T-G01	FRAME GLASS WEDGE / KASA CAM TAKOZU	2 Piece / Adet	

**GASKETS / FİTİLLER**

Code / Kod	Picture / Resim	Quantity / Miktar
EM84FD-01		2FL1 + 2FH
EM84FD-19		2FL1 + 2FH
EM84FD-03		(2 SL + 30) (2 SH + 30)
EM3-09		1SL + 2SH
EM84-410		1FL1
0.RING-3 mm		2FL2 + 2FH
EM2-11		2FL2 + 2FH
EM1-25		2FL2 + 2FH
EM84-11		2FL2 + 2FH

**PANEL / PANEL**

Code / Kod	Drawing / Çizim	Quantity / Miktar	Dimensions (mm) / Boyutlar
Inside / İç PANEL		1 Pcs / Adet	SL + 30 SH + 30
Outside / Dış PANEL		1 Pcs / Adet	SL - 42 SH - 26
EPS PANEL		1 Pcs / Adet	SL - 130 SH - 130



**PROFILES / PROFİLLER**

Code / Kod	Drawing / Çizim	Cut / Kesim	Quantity / Miktar	Dimensions (mm) / Boyutlar	Mechanical Treatment / Mekanik İşlem
84FDH-102-20			1 Pcs / Adet	FL1	-
			1 Pcs / Adet	FH	
			1 Pcs / Adet	FH	
84FDH-201-18			2 Pcs / Adet	SL= FL1 - 140	-
			2 Pcs / Adet	SH= FH - 93	
84TH-103-18			2 Pcs / Adet	FL2	-
			2 Pcs / Adet	FH	
08-217-00			2 Pcs / Adet	FL2 - 2A	-
			2 Pcs / Adet	FH - 2A - 44	
84FDH-401-18			1 Pcs / Adet	FL1 - 173	-

**CORNER JOINTS / KÖŞE BAĞLANTILAR**

Code / Kod	Quantity / Miktar	Picture / Resim
CC-131-23.6	2 Pcs / Adet	
CC-131-07.9	2 Pcs / Adet	
CC-149-22.7	4 Pcs / Adet	
CC-108-05.0	4 Pcs / Adet	
CC-124-22.6 or / yada KC-809-22.4	4 Pcs / Adet	
CC-124-11.0 or / yada CPA-124-11.0	4 Pcs / Adet	
EM70-21	4 Pcs / Adet	

**GASKETS / FITİLLER**

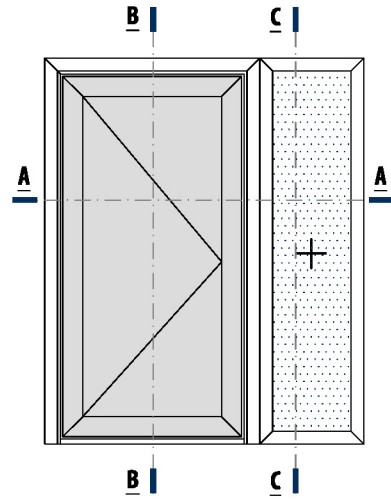
Code / Kod	Picture / Resim	Quantity / Miktar
EM84FD-01		2FL1 + 2FH
EM84FD-19		2FL1 + 2FH
EM84FD-03		(2 SL + 30) (2 SH + 30)
EM3-09		1SL + 2SH
EM84-410		1FL1
O.RING-3 mm		2FL2 + 2FH
EM2-11		2FL2 + 2FH
EM1-25		2FL2 + 2FH
EM84-11		2FL2 + 2FH

**CONSUMABLE MATERIALS / SARF MALZEMELER**

Code / Kod	Description / Açıklama	Quantity (pcs-m) / Miktar (Paket)	Picture / Resim
EM84FD-401	CAP / KAPAK	1 Set / Takım	
EM84FD-C01	ENJECTION CORNER / ENJEKSİYON KÖŞE	4 Piece / Adet	
EM84T-G01	FRAME GLASS WEDGE / KASA CAM TAKOZU	2 Piece / Adet	

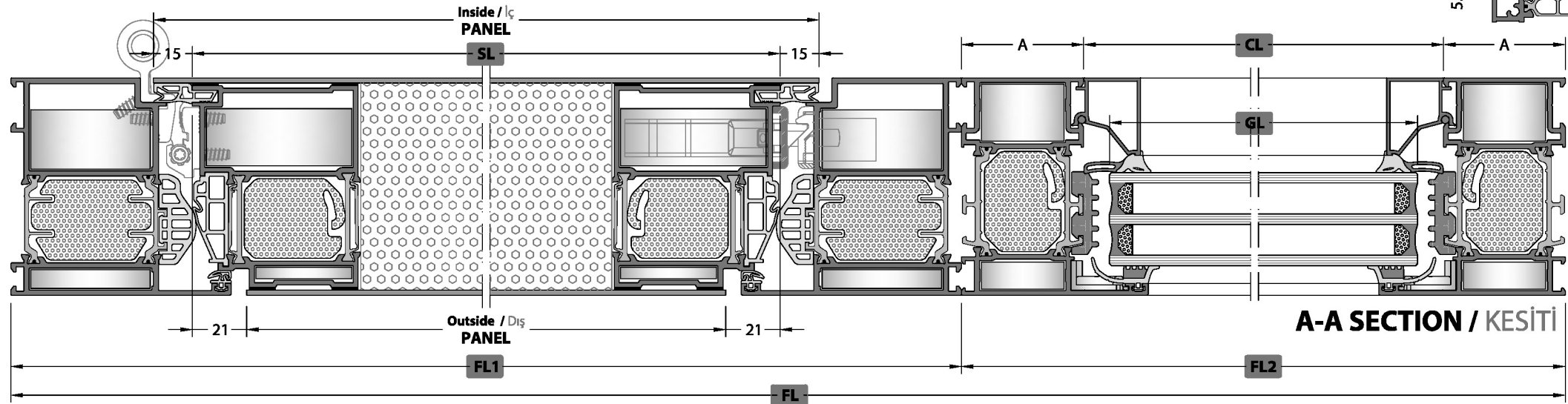
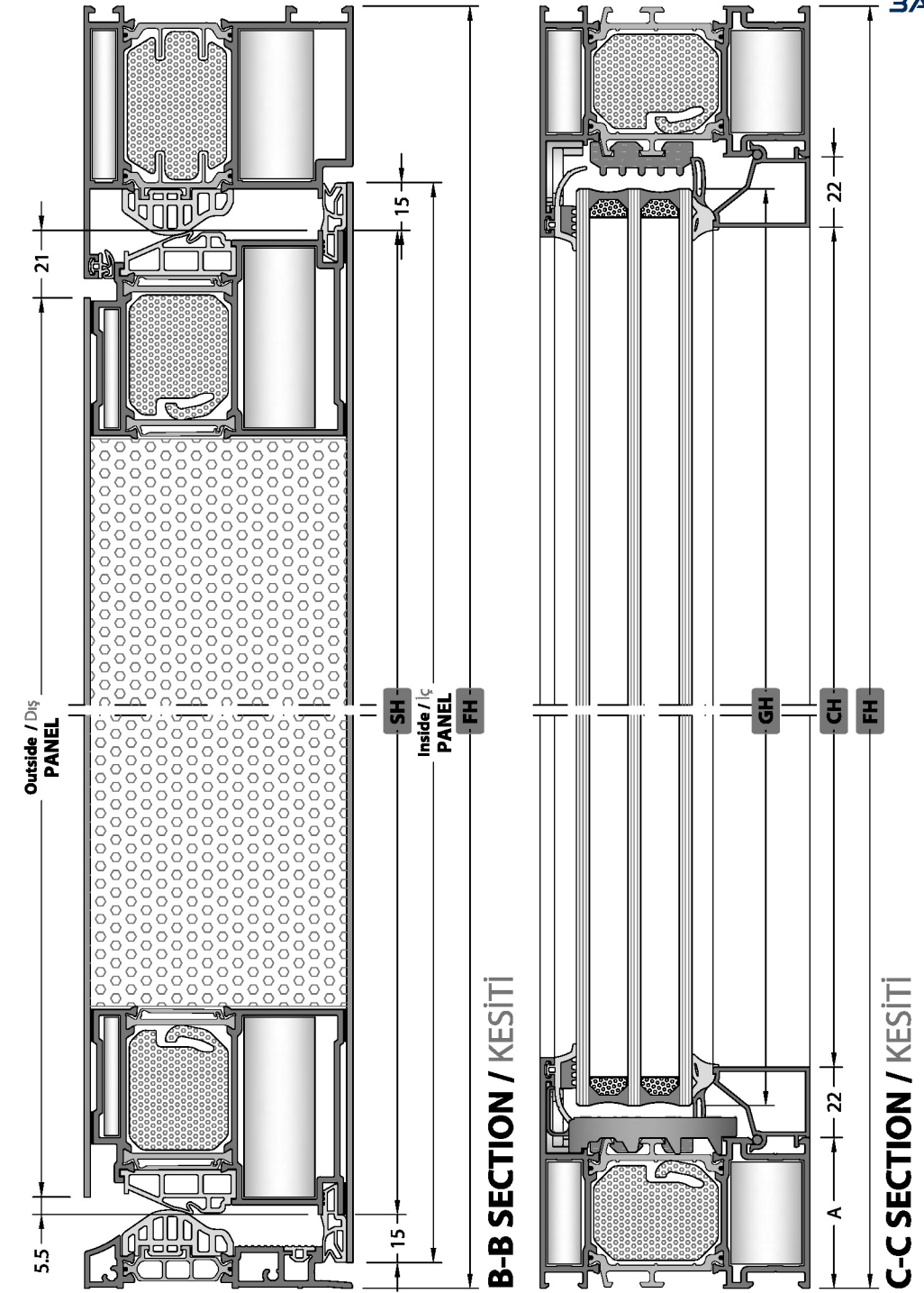
**PANEL / PANEL**

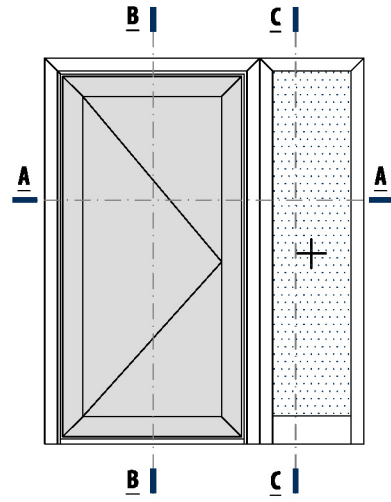
Code / Kod	Drawing / Çizim	Quantity / Miktar	Dimensions (mm) / Boyutlar
Inside / İç PANEL		1 Pcs / Adet	SL + 30
			SH + 30
Outside / Dış PANEL		1 Pcs / Adet	SL - 42
			SH - 26
EPS PANEL		1 Pcs / Adet	SL - 130
			SH - 130



**GLASS / CAM**

Code / Kod	Drawing / Çizim	Quantity / Miktar	Dimensions (mm) / Boyutlar
Glass / Cam		1 Pcs / Adet	GL = FL2 - 2A - 20
			GH = FH - 2A - 20





**GLASS / CAM**

Code / Kod	Drawing / Çizim	Quantity / Miktar	Dimensions (mm) / Boyutlar
Glass / Cam		1 Pcs / Adet	GL = FL2 - 2A - 20 GH = FH - A - 135

**PROFILES / PROFİLLER**

Code / Kod	Drawing / Çizim	Cut / Kesim	Quantity / Miktar	Dimensions (mm) / Boyutlar	Mechanical Treatment / Mekanik İşlem
84FDH-102-20			1 Pcs / Adet	FL1	-
			1 Pcs / Adet	FH	
			1 Pcs / Adet	FH	
84FDH-201-18			2 Pcs / Adet	SL= FL1 - 140	-
			2 Pcs / Adet	SH= FH - 93	
84TH-103-18			1 Pcs / Adet	FL2	-
			1 Pcs / Adet	FH	
			1 Pcs / Adet	FH	
84TH-109-18			1 Pcs / Adet	FL2 - 2A	✓
08-217-00			2 Pcs / Adet	FL2 - 2A	-
			2 Pcs / Adet	FH - A - 159	
84FDH-401-18			1 Pcs / Adet	FL1 - 173	-

**GASKETS / FITİLLER**

Code / Kod	Picture / Resim	Quantity / Miktar
EM84FD-01		2FL1 + 2FH
EM84FD-19		2FL1 + 2FH
EM84FD-03		(2 SL + 30) (2 SH + 30)
EM3-09		1SL + 2SH
EM84-410		1FL1
O.RING-3 mm		2FL2 + 2FH
EM2-11		2FL2 + 2FH
EM1-25		2FL2 + 2FH
EM84-11		2FL2 + 2FH

**CORNER JOINTS / KÖŞE BAĞLANTILAR**

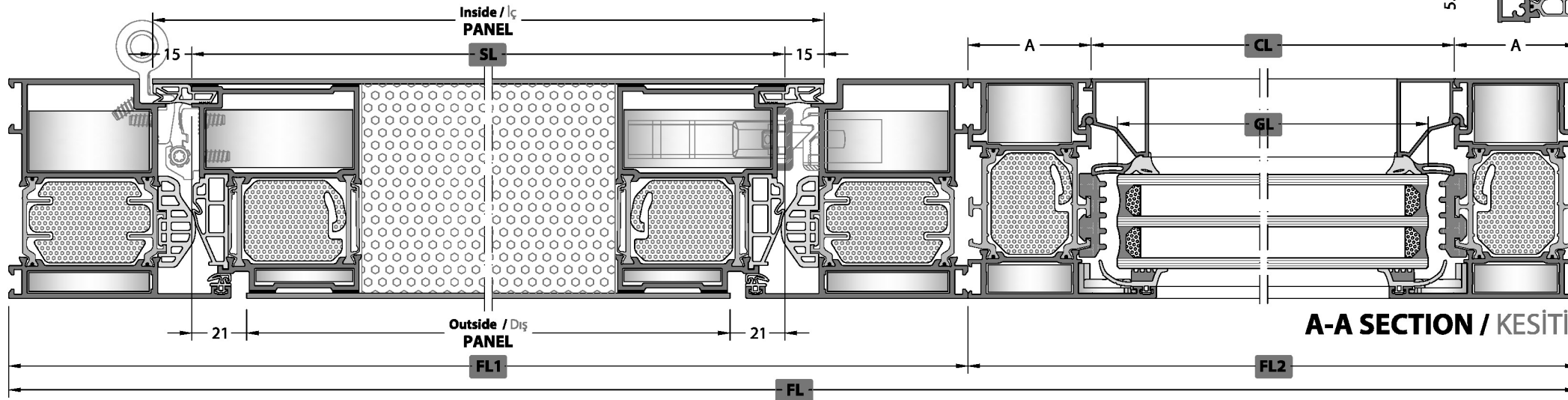
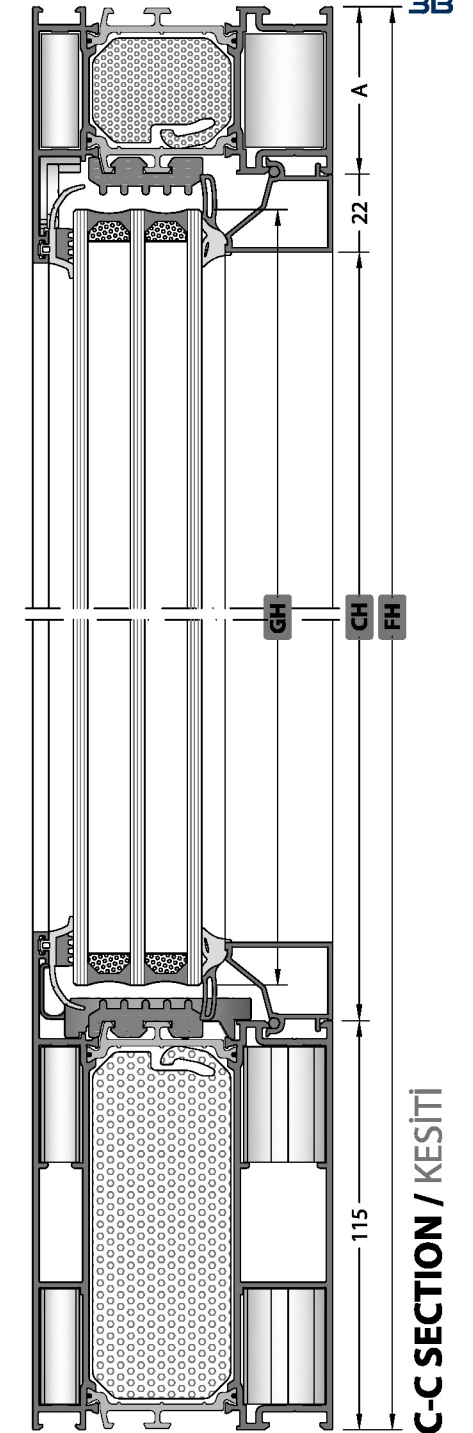
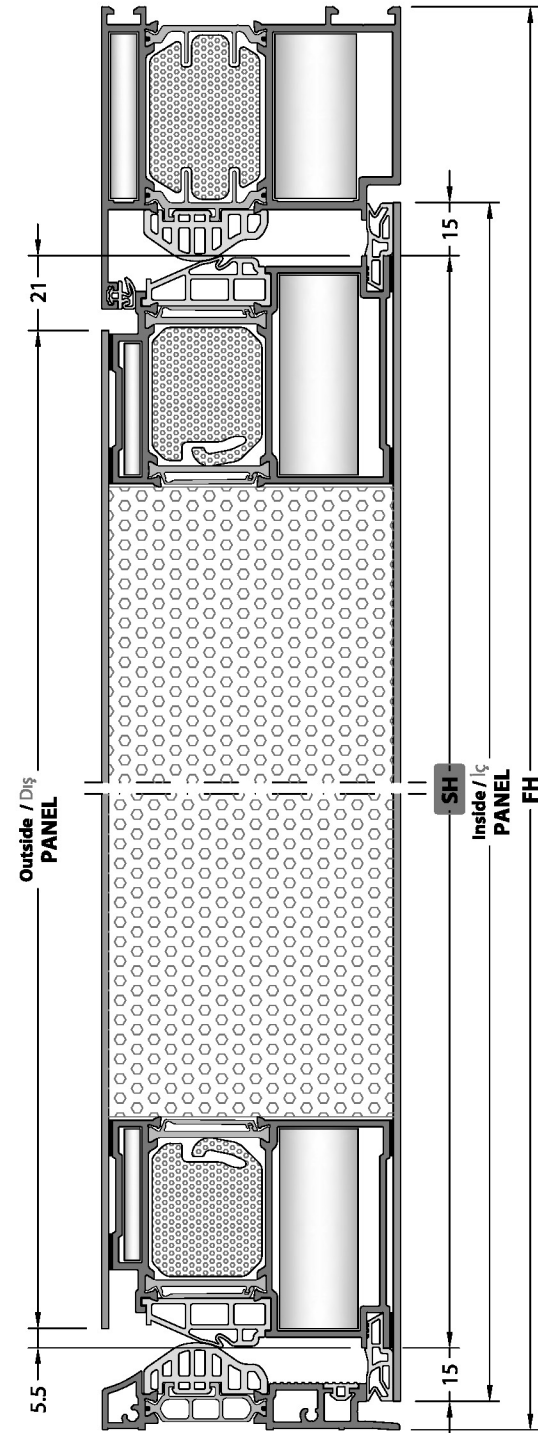
Code / Kod	Quantity / Miktar	Picture / Resim
CC-131-23.6	2 Pcs / Adet	
CC-131-07.9	2 Pcs / Adet	
CC-149-22.7	4 Pcs / Adet	
CC-108-05.0	4 Pcs / Adet	
CC-124-22.6 or / yada KC-809-22.4	2 Pcs / Adet	
CC-124-11.0 or / yada CPA-124-11.0	2 Pcs / Adet	
CA70T-911-32.4	4 Pcs / Adet	
CA70T-913-32.4	4 Pcs / Adet	
EM70-21	2 Pcs / Adet	

**CONSUMABLE MATERIALS / SARF MALZEMELER**

Code / Kod	Description / Açıklama	Quantity (pcs-m) / Miktar (Paket)	Picture / Resim
EM84FD-401	CAP / KAPAK	1 Set / Takım	
EM84FD-C01	INJECTION CORNER / ENJEKSİYON KÖŞE	4 Piece / Adet	
EM84T-G01	FRAME GLASS WEDGE / KASA CAM TAKOZU	2 Piece / Adet	

**PANEL / PANEL**

Code / Kod	Drawing / Çizim	Quantity / Miktar	Dimensions (mm) / Boyutlar
Inside / İç PANEL		1 Pcs / Adet	SL + 30
			SH + 30
Outside / Dış PANEL		1 Pcs / Adet	SL - 42
			SH - 26
EPS PANEL		1 Pcs / Adet	SL - 130
			SH - 130



**PROFILES / PROFİLLER**

Code / Kod	Drawing / Çizim	Cut / Kesim	Quantity / Miktar	Dimensions (mm) / Boyutlar	Mechanical Treatment / Mekanik İşlem
84FDH-102-20			1 Pcs / Adet	FL1	-
			1 Pcs / Adet	FH	
			1 Pcs / Adet	FH	
84FDH-201-18			2 Pcs / Adet	SL= FL1 - 140	-
			2 Pcs / Adet	SH= FH - 93	
84TH-103-18			2 Pcs / Adet	FL2	-
			2 Pcs / Adet	FH	
08-217-00			2 Pcs / Adet	FL2 - 2A	-
			2 Pcs / Adet	FH - 2A - 44	
84FDH-401-18			1 Pcs / Adet	FL1 - 173	-

**CORNER JOINTS / KÖŞE BAĞLANTILAR**

Code / Kod	Quantity / Miktar	Picture / Resim
CC-131-23.6	2 Pcs / Adet	
CC-131-07.9	2 Pcs / Adet	
CC-149-22.7	4 Pcs / Adet	
CC-108-05.0	4 Pcs / Adet	
CC-124-22.6 or / yada KC-809-22.4	4 Pcs / Adet	
CC-124-11.0 or / yada CPA-124-11.0	4 Pcs / Adet	
EM70-21	4 Pcs / Adet	

**GASKETS / FITİLLER**

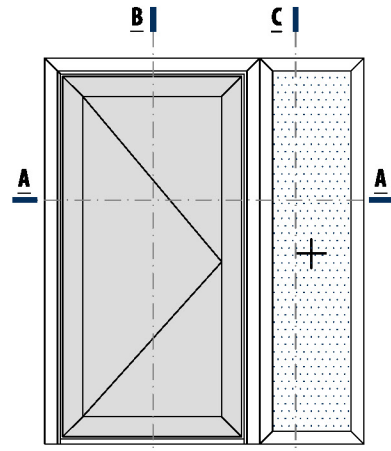
Code / Kod	Picture / Resim	Quantity / Miktar
EM84FD-01		2FL1 + 2FH
EM84FD-19		2FL1 + 2FH
EM84FD-03		(2 SL + 30) (2 SH + 30)
EM3-09		1SL + 2SH
EM84-410		1FL1
O.RING-3 mm		2FL2 + 2FH
EM2-11		2FL2 + 2FH
EM1-25		2FL2 + 2FH
EM84-11		2FL2 + 2FH

**CONSUMABLE MATERIALS / SARF MALZEMELER**

Code / Kod	Description / Açıklama	Quantity (pcs-m) / Miktar (Paket)	Picture / Resim
EM84FD-401	CAP / KAPAK	1 Set / Takım	
EM84FD-C01	ENJECTION CORNER / ENJEKSİYON KÖŞE	4 Piece / Adet	
EM84T-G01	FRAME GLASS WEDGE / KASA CAM TAKOZU	2 Piece / Adet	

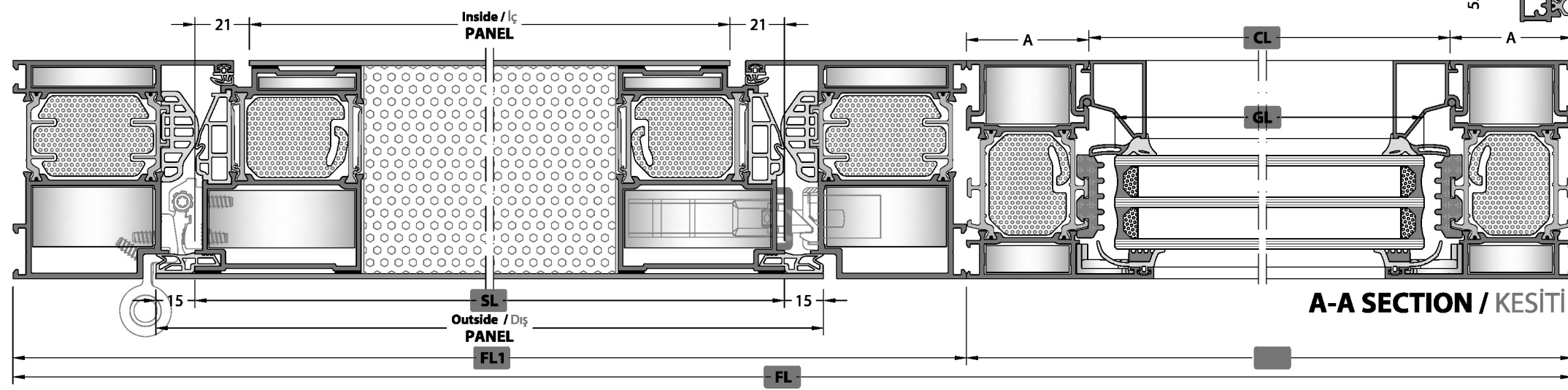
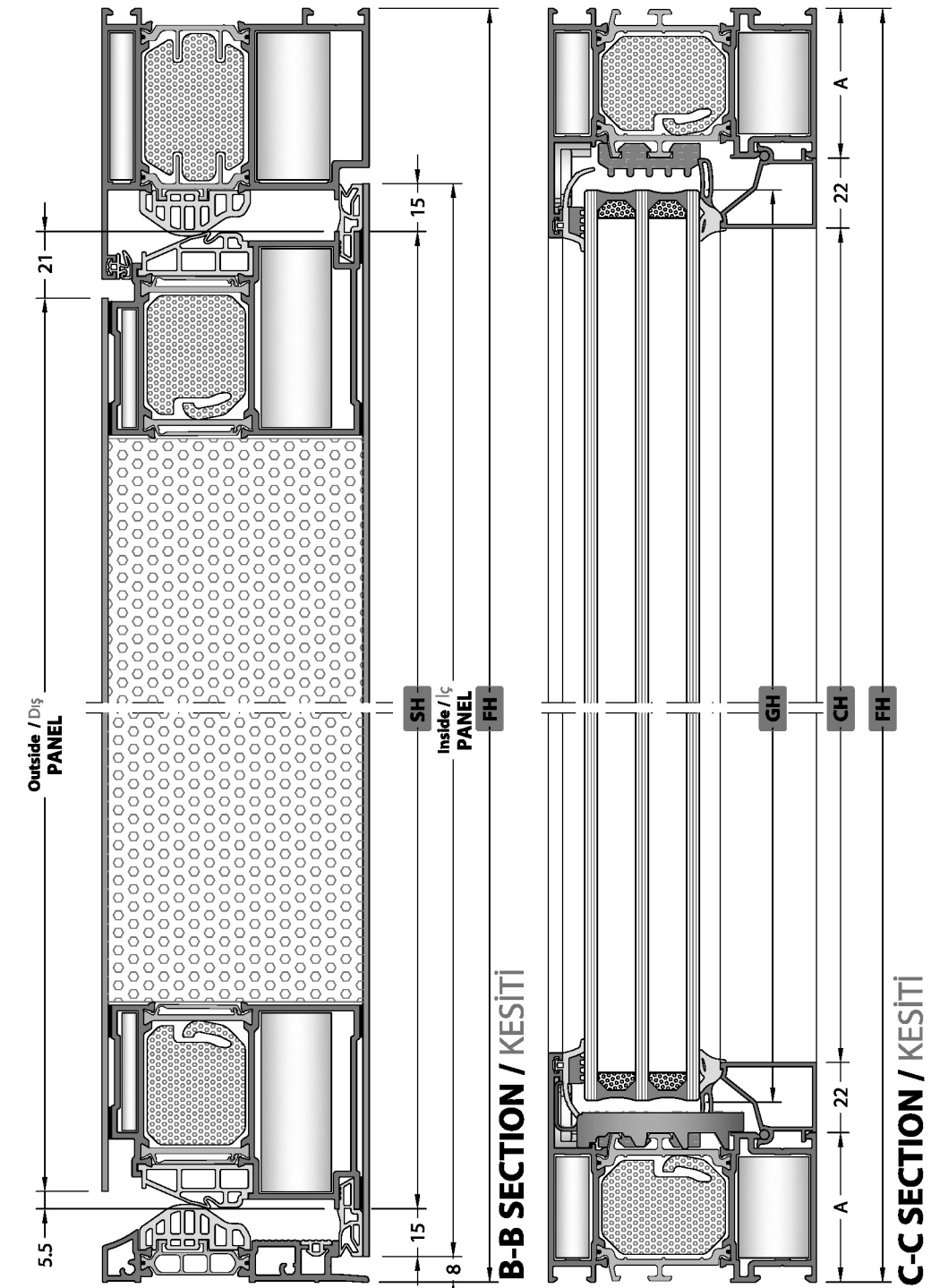
**PANEL / PANEL**

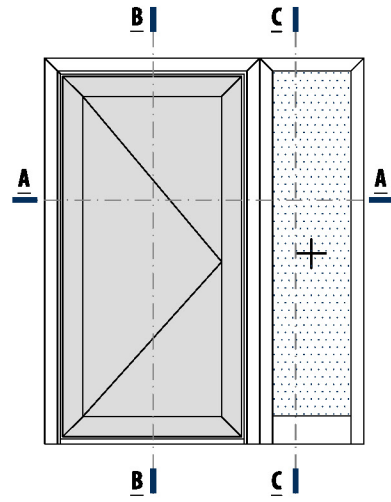
Code / Kod	Drawing / Çizim	Quantity / Miktar	Dimensions (mm) / Boyutlar
Inside / İç PANEL		1 Pcs / Adet	SL - 42
		1 Pcs / Adet	SH - 26
Outside / Dış PANEL		1 Pcs / Adet	SL + 30
		1 Pcs / Adet	SH + 30
EPS PANEL		1 Pcs / Adet	SL - 130
		1 Pcs / Adet	SH - 130



**GLASS / CAM**

Code / Kod	Drawing / Çizim	Quantity / Miktar	Dimensions (mm) / Boyutlar
Glass / Cam		1 Pcs / Adet	GL = FL2 - 2A - 20 GH = FH - 2A - 20





**GLASS / CAM**

Code / Kod	Drawing / Çizim	Quantity / Miktar	Dimensions (mm) / Boyutlar
Glass / Cam		1 Pcs / Adet	GL = FL2 - 2A - 20 GH = FH - A - 135

**PROFILES / PROFİLLER**

Code / Kod	Drawing / Çizim	Cut / Kesim	Quantity / Miktar	Dimensions (mm) / Boyutlar	Mechanical Treatment / Mekanik İşlem
84FDH-102-20			1 Pcs / Adet	FL1	-
			1 Pcs / Adet	FH	
			1 Pcs / Adet	FH	
84FDH-201-18			2 Pcs / Adet	SL= FL1 - 140	-
			2 Pcs / Adet	SH= FH - 93	
84TH-103-18			1 Pcs / Adet	FL2	-
			1 Pcs / Adet	FH	
			1 Pcs / Adet	FH	
84TH-109-18			1 Pcs / Adet	FL2 - 2A	✓
08-217-00			2 Pcs / Adet	FL2 - 2A	-
			2 Pcs / Adet	FH - 2A - 44	
84FDH-401-18			1 Pcs / Adet	FL1 - 173	-

**CORNER JOINTS / KÖŞE BAĞLANTILAR**

Code / Kod	Quantity / Miktar	Picture / Resim
CC-131-23.6	2 Pcs / Adet	
CC-131-07.9	2 Pcs / Adet	
CC-149-22.7	4 Pcs / Adet	
CC-108-05.0	4 Pcs / Adet	
CC-124-22.6 or / yada KC-809-22.4	2 Pcs / Adet	
CC-124-11.0 or / yada CPA-124-11.0	2 Pcs / Adet	
CA70T-911-32.4	4 Pcs / Adet	
CA70T-913-32.4	4 Pcs / Adet	
EM70-21	2 Pcs / Adet	

**CONSUMABLE MATERIALS / SARF MALZEMELER**

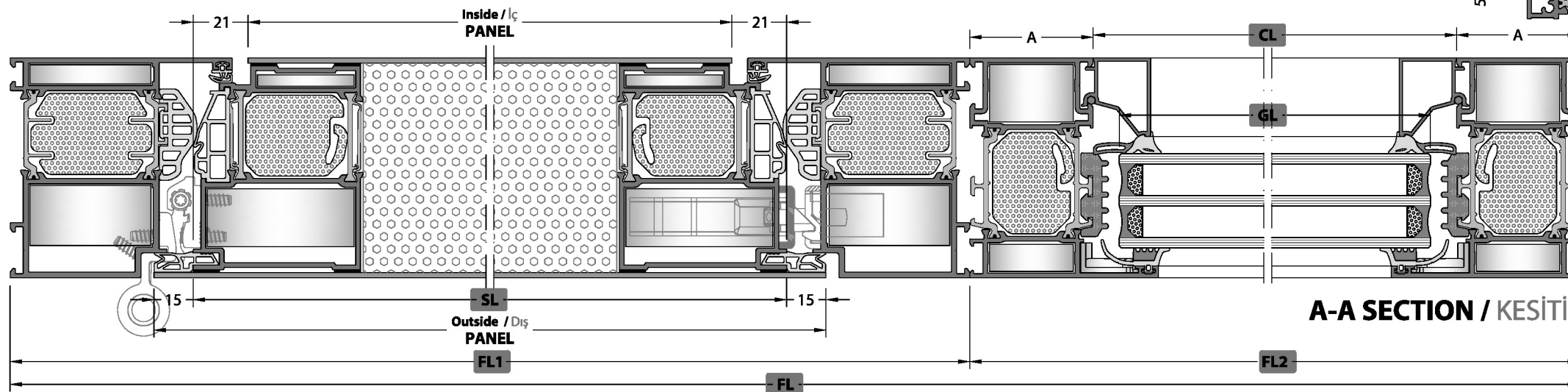
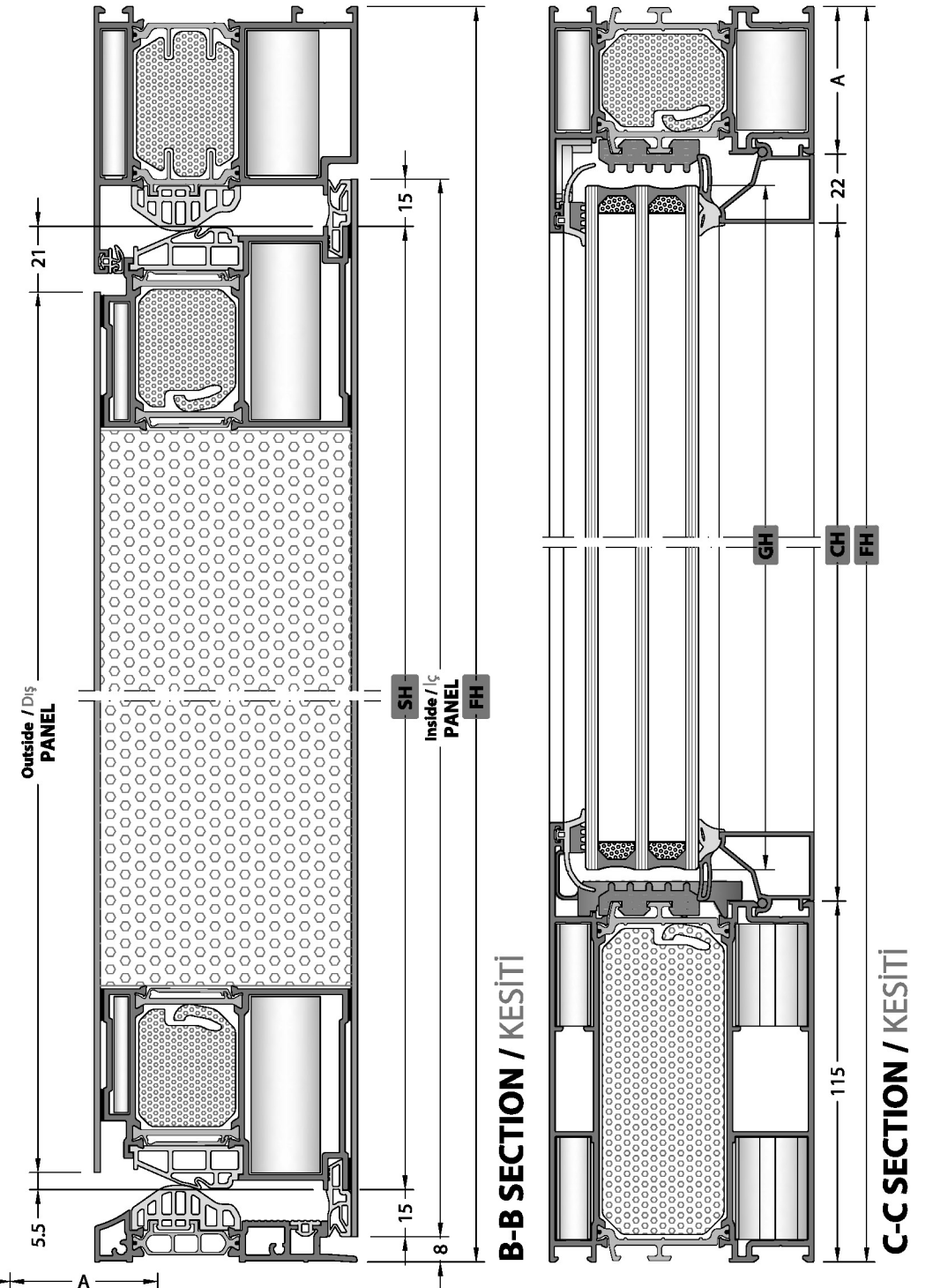
Code / Kod	Description / Açıklama	Quantity (pcs-m) / Miktar (Paket)	Picture / Resim
EM84FD-401	CAP / KAPAK	1 Set / Takım	
EM84FD-C01	ENJECTION CORNER / ENJEKSİYON KÖŞE	4 Piece / Adet	
EM84T-G01	FRAME GLASS WEDGE / KASA CAM TAKOZU	2 Piece / Adet	

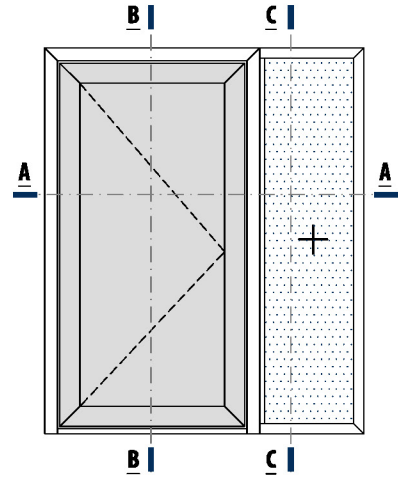
**PANEL / PANEL**

Code / Kod	Drawing / Çizim	Quantity / Miktar	Dimensions (mm) / Boyutlar
Inside / İç PANEL		1 Pcs / Adet	SL - 42 SH - 26
Outside / Dış PANEL		1 Pcs / Adet	SL + 30 SH + 30
EPS PANEL		1 Pcs / Adet	SL - 130 SH - 130

**GASKETS / FİTİLLER**

Code / Kod	Picture / Resim	Quantity / Miktar
EM84FD-01		2FL1 + 2FH
EM84FD-19		2FL1 + 2FH
EM84FD-03		(2 SL + 30) (2 SH + 30)
EM3-09		1SL + 2SH
EM84-410		1FL1
O.RING-3 mm		2FL2 + 2FH
EM2-11		2FL2 + 2FH
EM1-25		2FL2 + 2FH
EM84-11		2FL2 + 2FH





**GLASS / CAM**

Code / Kod	Drawing / Çizim	Quantity / Miktar	Dimensions (mm) / Boyutlar
Glass / Cam		1 Pcs / Adet	GL = FL2 - A - 20 GH = FH - 2A - 20

**PROFILES / PROFİLLER**

Code / Kod	Drawing / Çizim	Cut / Kesim	Quantity / Miktar	Dimensions (mm) / Boyutlar	Mechanical Treatment / Mekanik İşlem
84FDH-102-20			1 Pcs / Adet	FL1	-
			1 Pcs / Adet	FH	
			1 Pcs / Adet	FH	
84FDH-221-18			2 Pcs / Adet	SL = FL1 - 110	-
			2 Pcs / Adet	SH = FH - 63	
84TH-103-18			1 Pcs / Adet	FL2	-
			1 Pcs / Adet	FL2	
			1 Pcs / Adet	FH	
08-217-00			2 Pcs / Adet	CL1 = SL - 168	-
			2 Pcs / Adet	CH1 = SH - 212	
			2 Pcs / Adet	CL2 = FL2 - A	
			2 Pcs / Adet	CH2 = FH - 2A - 44	
84FD-504-00			1 Pcs / Adet	FH - 2A - 50	-
84FDH-401-18			1 Pcs / Adet	FL1 - 173	-

**GASKETS / FİTİLLER**

Code / Kod	Picture / Resim	Quantity / Miktar
EM84FD-01		2SL + 2SH
EM84FD-19		2SL + 2SH
EM3-09		3SL + 4SH
EM84-410		1FL1
0.RING-3 mm		2FL1 + 2FL2 + 4FH - 1100
EM2-11		2FL2 + 2FH
EM1-25		2FL1 + 2FL2 + 4FH - 1100
EM84-11		2FL2 + 2FH

**CORNER JOINTS / KÖŞE BAĞLANTILAR**

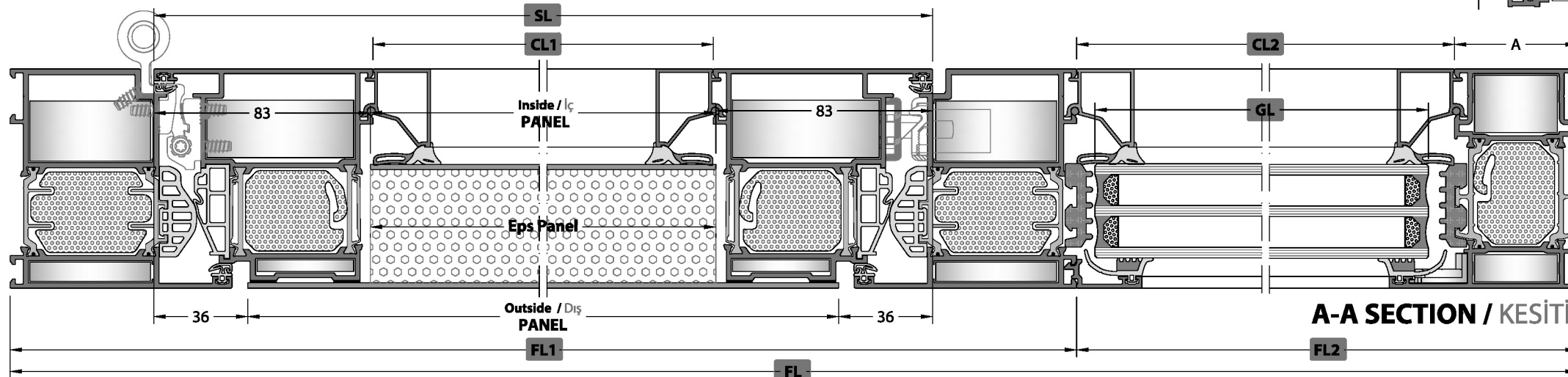
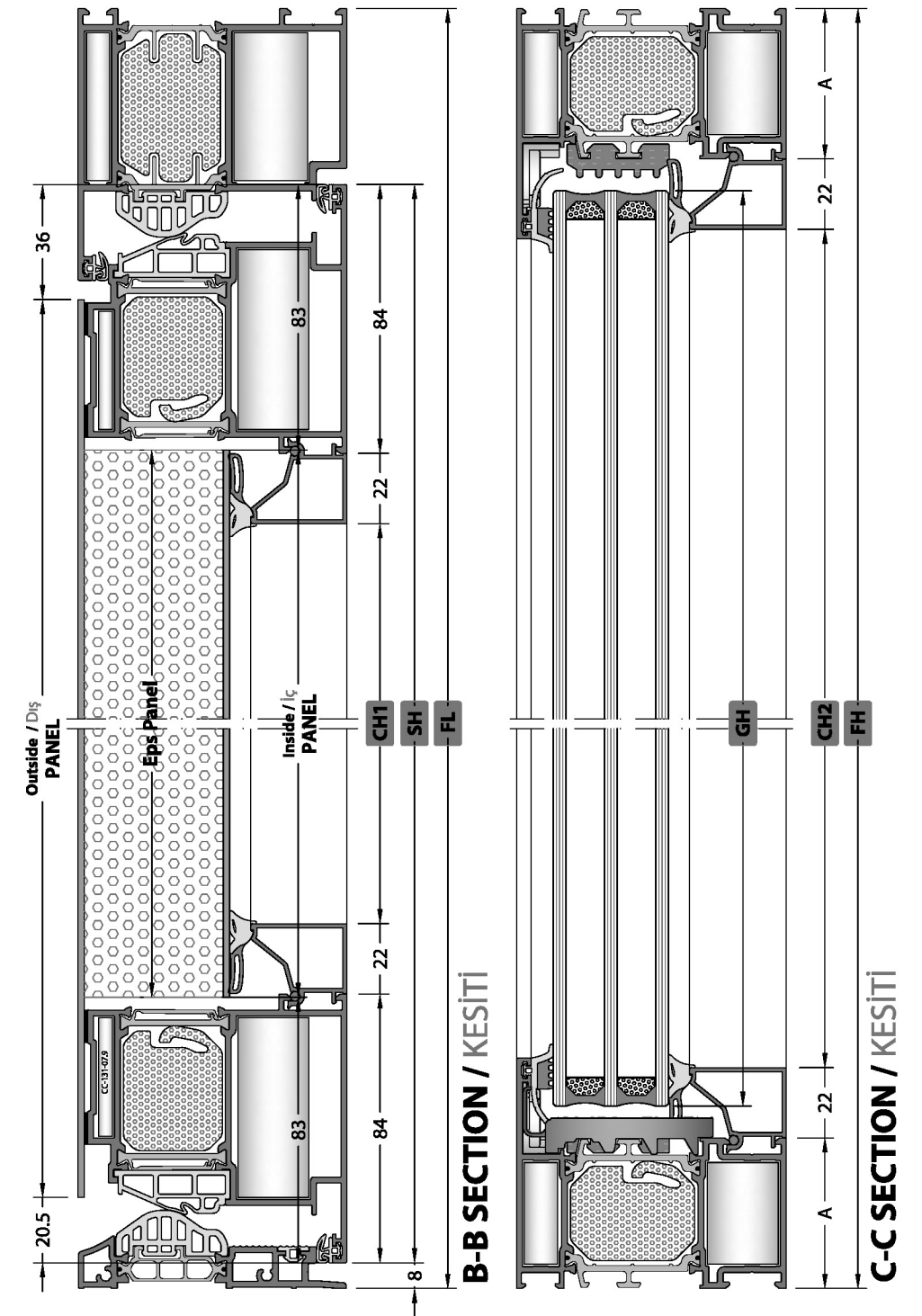
Code / Kod	Quantity / Miktar	Picture / Resim
CC-131-23.6	2 Pcs / Adet	
CC-131-07.9	2 Pcs / Adet	
CC-149-22.7	4 Pcs / Adet	
CC-108-05.0	4 Pcs / Adet	
CC-124-22.6 or / yada KC-809-22.4	2 Pcs / Adet	
CC-124-11.0 or / yada CPA-124-11.0	2 Pcs / Adet	
EM70-21	2 Pcs / Adet	
CA84FD-911-32.4	2 Pcs / Adet	
CA70T-913-32.4	2 Pcs / Adet	

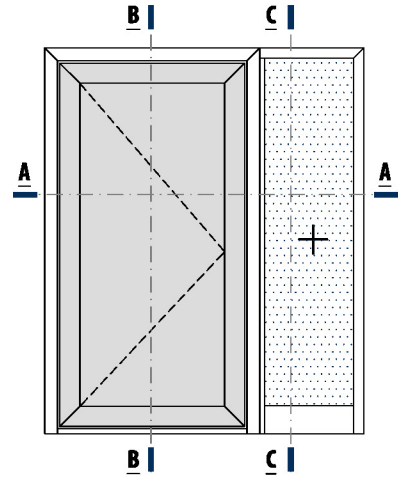
**CONSUMABLE MATERIALS / SARF MALZEMELER**

Code / Kod	Description / Açıklama	Quantity (pcs-m) / Miktar (Paket)	Picture / Resim
EM84FD-401	CAP / KAPAK	1 Set / Takım	
EM84FD-C01	ENJECTION CORNER / ENJEKSİYON KÖŞE	4 Piece / Adet	
EM84T-G01	FRAME GLASS WEDGE / KASA CAM TARKOZU	2 Piece / Adet	

**PANEL / PANEL**

Code / Kod	Drawing / Çizim	Quantity / Miktar	Dimensions (mm) / Boyutlar
Inside / İç PANEL		1 Pcs / Adet	SL - 166
			SH - 166
Outside / Dış PANEL		1 Pcs / Adet	SL - 72
			SH - 56
EPS PANEL		1 Pcs / Adet	SL - 166
			SH - 166





**GLASS / CAM**

Code / Kod	Drawing / Çizim	Quantity / Miktar	Dimensions (mm) / Boyutlar
Glass / Cam		1 Pcs / Adet	GL = FL2 - A - 20 GH = FH - A - 135

**PROFILES / PROFİLLER**

Code / Kod	Drawing / Çizim	Cut / Kesim	Quantity / Miktar	Dimensions (mm) / Boyutlar	Mechanical Treatment / Mekanik İşlem
84FDH-102-20			1 Pcs / Adet	FL1	-
			1 Pcs / Adet	FH	
			1 Pcs / Adet	FH	
84FDH-221-18			2 Pcs / Adet	SL= FL1 - 110	-
			2 Pcs / Adet	SH= FH - 63	
84TH-103-18			1 Pcs / Adet	FL2	-
			1 Pcs / Adet	FH	
84TH-109-18			1 Pcs / Adet	FL2 - A	✓
08-217-00			2 Pcs / Adet	CL1 = SL - 168	-
			2 Pcs / Adet	CH1 = SH - 212	
			2 Pcs / Adet	CL2 = FL2 - A	
			2 Pcs / Adet	CH2 = FH-A-159	
84FD-504-00			1 Pcs / Adet	FH-A-165	-
84FDH-401-18			1 Pcs / Adet	FL1 - 173	-

**GASKETS / FİTİLLER**

Code / Kod	Picture / Resim	Quantity / Miktar
EM84FD-01		2SL + 2SH
EM84FD-19		2SL + 2SH
EM3-09		3SL + 4SH
EM84-410		1FL1
0.RING-3 mm		2FL1 + 2FL2 + 4FH - 1100
EM2-11		2FL2 + 2FH
EM1-25		2FL1 + 2FL2 + 4FH - 1100
EM84-11		2FL2 + 2FH

**CORNER JOINTS / KÖŞE BAĞLANTILAR**

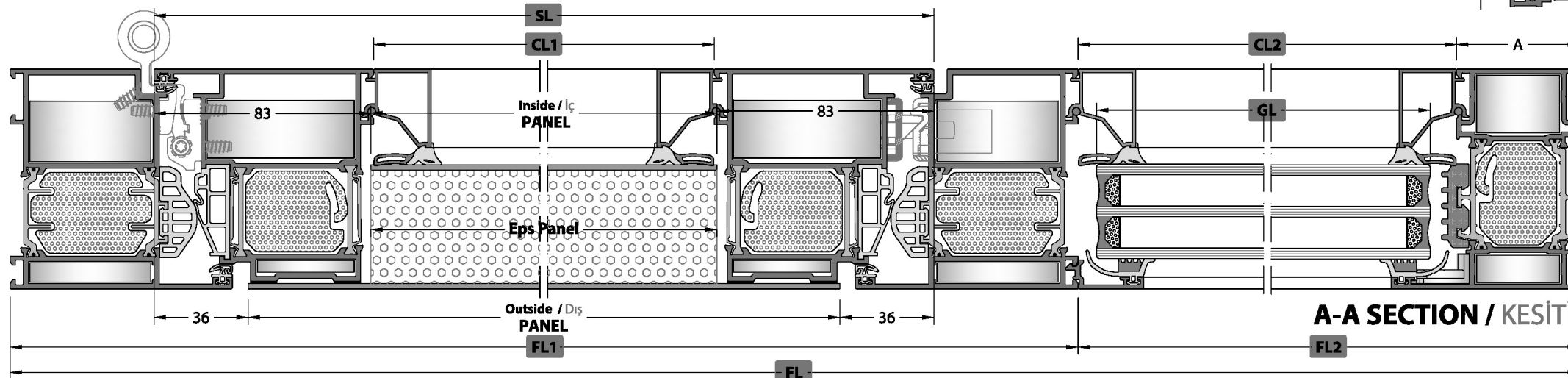
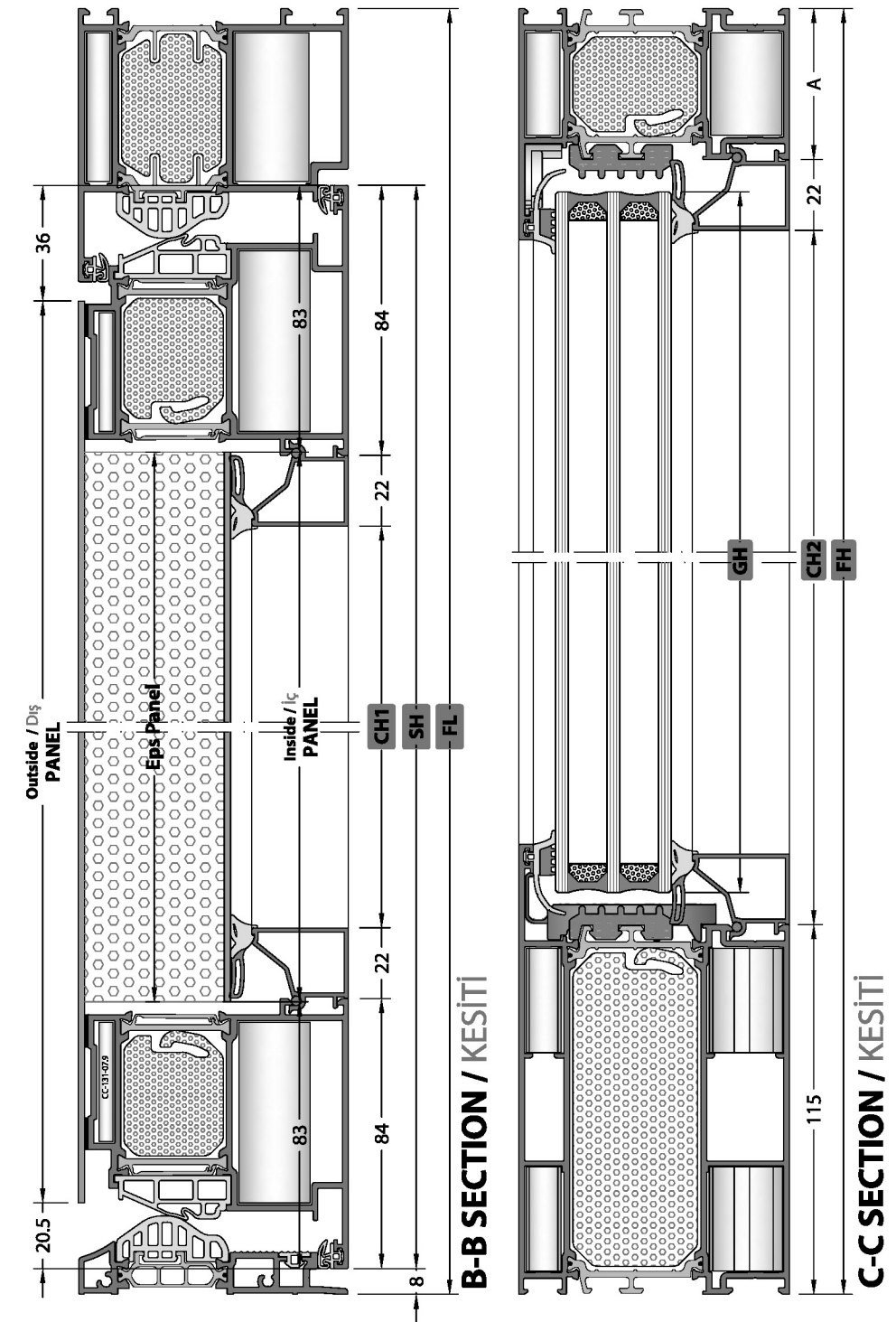
Code / Kod	Quantity / Miktar	Picture / Resim
CC-131-23.6	2 Pcs / Adet	
CC-131-07.9	2 Pcs / Adet	
CC-149-22.7	4 Pcs / Adet	
CC-108-05.0	4 Pcs / Adet	
CC-124-22.6 or / yada KC-809-22.4	1 Pcs / Adet	or / yada
CC-124-11.0 or / yada CPA-124-11.0	1 Pcs / Adet	or / yada
EM70-21	1 Pcs / Adet	
CA70T-911-32.4	2 Pcs / Adet	
CA84FD-911-32.4	3 Pcs / Adet	
CA70T-913-32.4	5 Pcs / Adet	

**CONSUMABLE MATERIALS / SARF MALZEMELER**

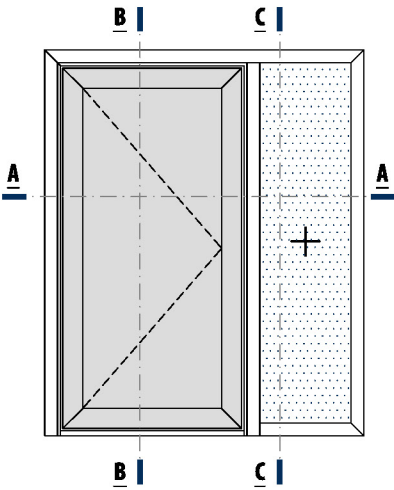
Code / Kod	Description / Açıklama	Quantity (pcs-m) / Miktar (Paket)	Picture / Resim
EM84FD-401	CAP / KAPAK	1 Set / Takım	
EM84FD-C01	ENJECTION CORNER / ENJEKSİYON KÖŞE	4 Piece / Adet	
EM84T-G01	FRAME GLASS WEDGE / KASA CAM TARDIZU	2 Piece / Adet	

**PANEL / PANEL**

Code / Kod	Drawing / Çizim	Quantity / Miktar	Dimensions (mm) / Boyutlar
Inside / İç PANEL		1 Pcs / Adet	SL - 166 SH - 166
Outside / Dış PANEL		1 Pcs / Adet	SL - 72 SH - 56
EPS PANEL		1 Pcs / Adet	SL - 166 SH - 166



**SEMI PANEL DOOR  
YARI PANEL KAPI  
INWARD / İÇE AÇILIR**



**GLASS / CAM**

Code / Kod	Drawing / Çizim	Quantity / Miktar	Dimensions (mm) / Boyutlar
GLASS / Cam		1 Pcs / Adet	GL = FL2 - A - (B/2) - 20 GH = FH - 2A - 20

**PROFILES / PROFİLLER**

Code / Kod	Drawing / Çizim	Cut / Kesim	Quantity / Miktar	Dimensions (mm) / Boyutlar	Mechanical Treatment / Mekanik İşlem
84TH-103-18			1 Pcs / Adet	FL	-
			1 Pcs / Adet	FH	
			1 Pcs / Adet	FH	
			1 Pcs / Adet	FL2 - (B/2)	
84FDH-221-18			2 Pcs / Adet	SL = FL1 - A - (B/2) - 10	-
			2 Pcs / Adet	SH = FH - A - 13	
84FD-502-00			1 Pcs / Adet	SL + 20	-
			1 Pcs / Adet	SH + 18	
			1 Pcs / Adet	SH + 18	
84FD-303-18			1 Pcs / Adet	FH - A	✓
08-217-00			2 Pcs / Adet	CL1 = SL - 168	-
			2 Pcs / Adet	CH1 = SH - 212	
			2 Pcs / Adet	CL2 = FL2 - A - (B/2)	
			2 Pcs / Adet	CH2 = FH - 2A - 44	
84FDH-401-18			1 Pcs / Adet	SL - 63	-

**CORNER JOINTS / KÖŞE BAĞLANTILAR**

Code / Kod	Quantity / Miktar	Picture / Resim
CC-124-22.6 or / yada KC-809-22.4	3 Pcs / Adet	
CC-124-111.0 or / yada CPA-124-111.0	3 Pcs / Adet	
CC-149-22.7	4 Pcs / Adet	
CC-108-05.0	4 Pcs / Adet	
CA70T-911-32.4	2 Pcs / Adet	
CA70T-913-32.4	2 Pcs / Adet	
EM70-21	3 Pcs / Adet	

**CONSUMABLE MATERIALS / SARF MALZEMELER**

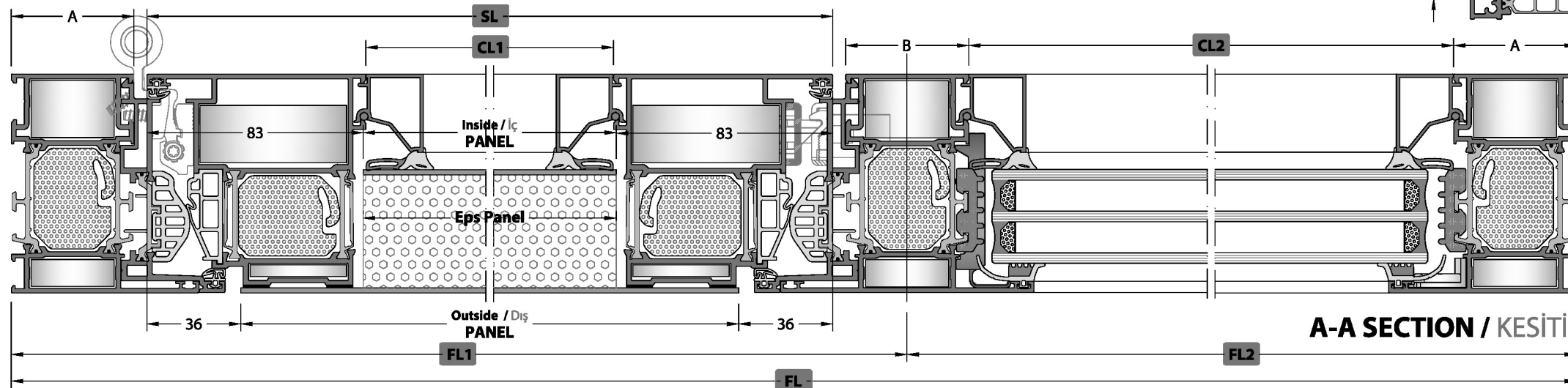
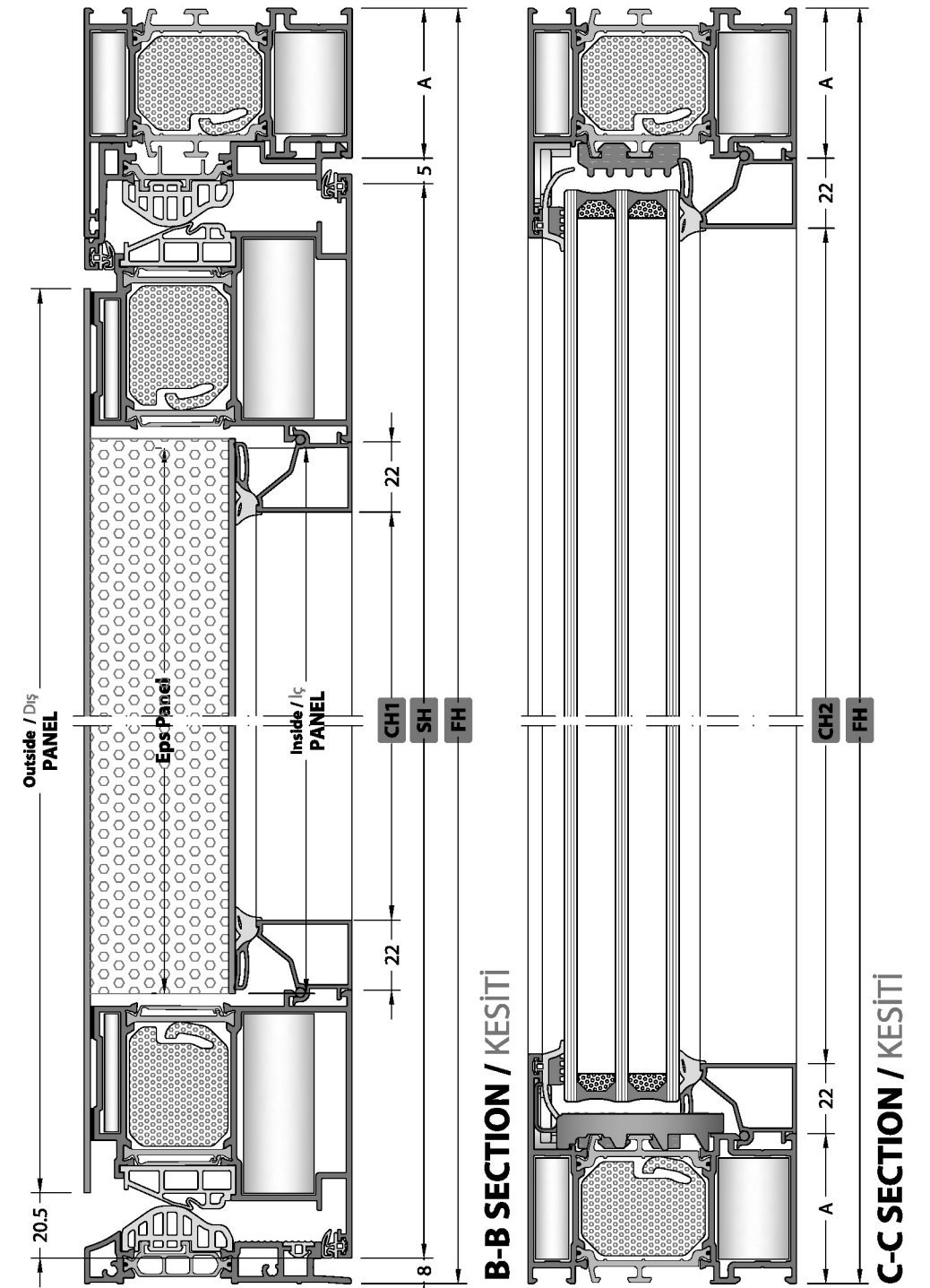
Code / Kod	Description / Açıklama	Quantity (pcs-m) / Miktar (Paket)	Picture / Resim
EM84FD-401	CAP / KAPAK	1 Set / Takım	
EM84FD-C01	ENJECTION CORNER / ENJEKSİYON KÖŞE	4 Piece / Adet	
EM84T-G01	FRAME GLASS WEDGE / KASA CAM TAKOZU	2 Piece / Adet	

**GASKETS / FİTİLLER**

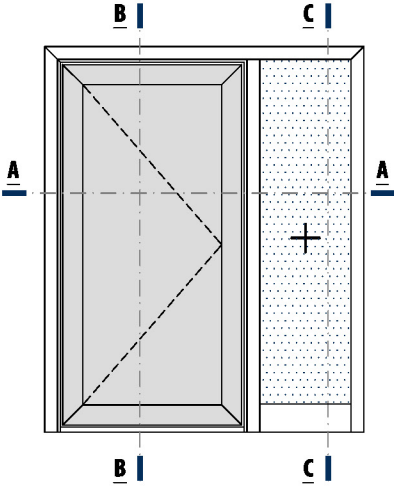
Code / Kod	Picture / Resim	Quantity / Miktar
EM84FD-01		2SL + 2SH
EM84FD-19		2SL + 2SH
EM3-09		3SL + 4SH
EM84-410		1FL1
0.RING-3 mm		2FL1 + 2FL2 + 4FH - 1100
EM2-11		2FL2 + 2FH
EM1-25		2FL1 + 2FL2 + 4FH - 1100
EM84-11		2FL2 + 2FH

**PANEL / PANEL**

Code / Kod	Drawing / Çizim	Quantity / Miktar	Dimensions (mm) / Boyutlar
Inside / İç PANEL		1 Pcs / Adet	SL - 166
			SH - 166
Outside / Dış PANEL		1 Pcs / Adet	SL - 72
			SH - 56
EPS PANEL		1 Pcs / Adet	SL - 166
			SH - 166



**SEMI PANEL DOOR  
YARI PANEL KAPI  
INWARD / İÇE AÇILIR**



**GLASS / CAM**

Code / Kod	Drawing / Çizim	Quantity / Miktar	Dimensions (mm) / Boyutlar
Glass / Cam		1 Pcs / Adet	GL = FL2 - A - (B/2) - 20 GH = FH - A - 135

**PROFILES / PROFİLLER**

Code / Kod	Drawing / Çizim	Cut / Kesim	Quantity / Miktar	Dimensions (mm) / Boyutlar	Mechanical Treatment / Mekanik İşlem
84TH-103-18			1 Pcs / Adet	FL	-
			1 Pcs / Adet	FH	
			1 Pcs / Adet	FH	
84FDH-221-18			2 Pcs / Adet	SL = FL1 - A - (B/2) - 10	-
			2 Pcs / Adet	SH = FH - A - 13	
84FD-502-00			1 Pcs / Adet	SL + 20	-
			1 Pcs / Adet	SH + 18	
			1 Pcs / Adet	SH + 18	
84FD-303-18			1 Pcs / Adet	FH - A	✓
84TH-109-18			1 Pcs / Adet	FL2-A-(B/2)	✓
08-217-00			2 Pcs / Adet	CL1 = SL - 168	-
			2 Pcs / Adet	CH1 = SH - 212	
			2 Pcs / Adet	CL2 = FL2-A-(B/2)	
			2 Pcs / Adet	CH2 = FH-A-159	
84FDH-401-18			1 Pcs / Adet	SL - 63	-

**CORNER JOINTS / KÖŞE BAĞLANTILAR**

Code / Kod	Quantity / Miktar	Picture / Resim
CC-124-22.6 or / yada KC-809-22.4	2 Pcs / Adet	
CC-124-111.0 or / yada CPA-124-111.0	2 Pcs / Adet	
CC-149-22.7	4 Pcs / Adet	
CC-108-05.0	4 Pcs / Adet	
CA70T-911-32.4	5 Pcs / Adet	
CA70T-913-32.4	5 Pcs / Adet	
EM70-21	2 Pcs / Adet	

**CONSUMABLE MATERIALS / SARF MALZEMELER**

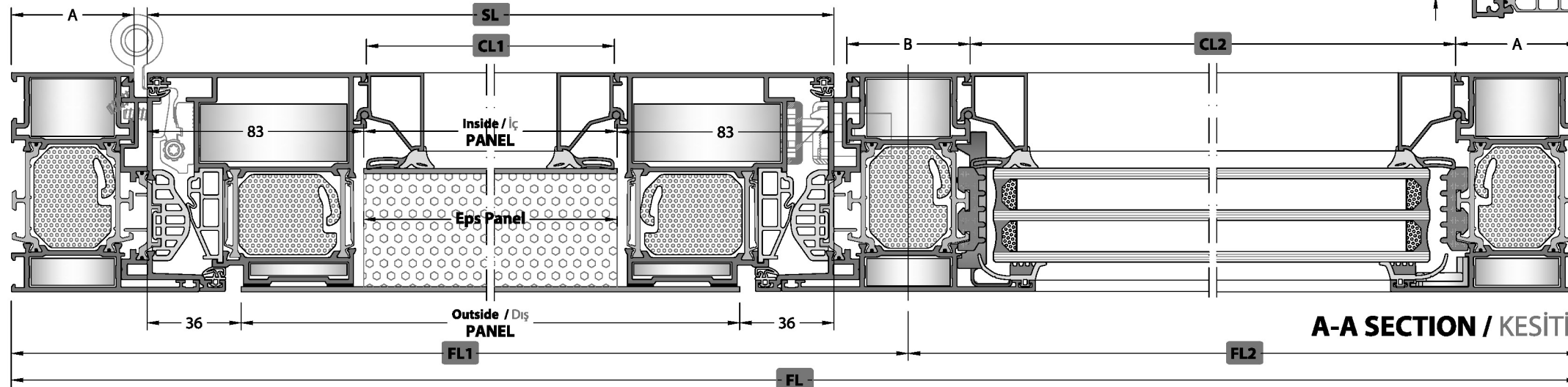
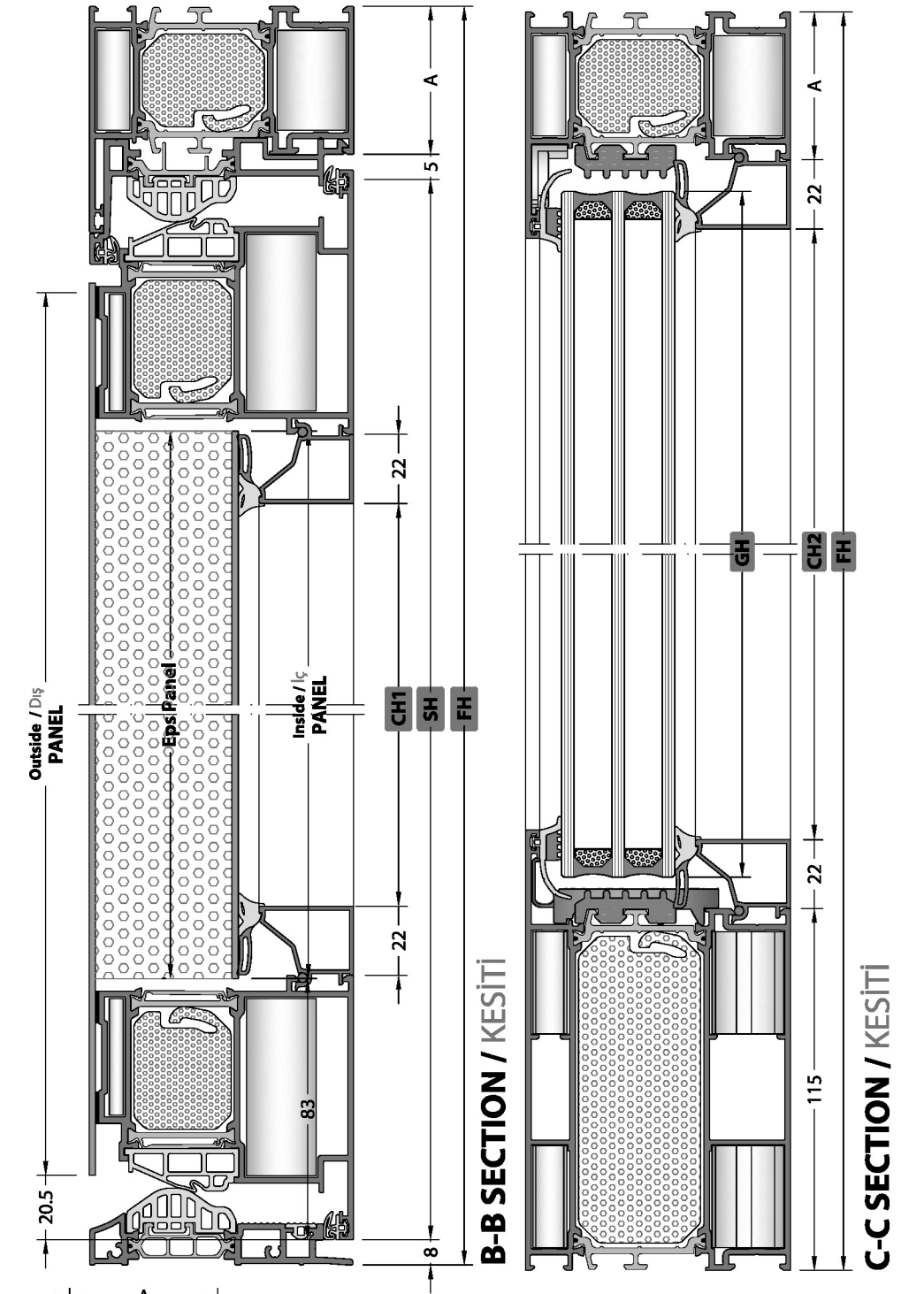
Code / Kod	Description / Açıklama	Quantity (pcs-m) / Miktar (Paket)	Picture / Resim
EM84FD-401	CAP / KAPAK	1 Set / Takım	
EM84FD-C01	ENJECTION CORNER / ENJEKSİYON KÖŞE	4 Piece / Adet	
EM84T-G01	FRAME GLASS WEDGE / KASA CAM TAKOZU	2 Piece / Adet	

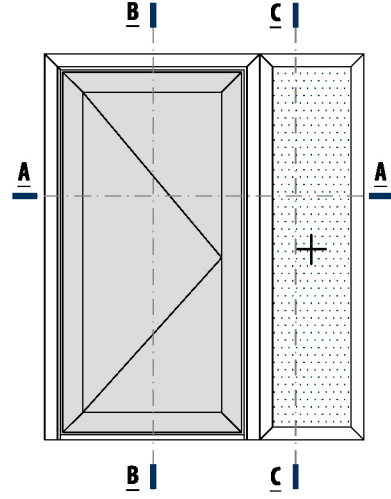
**PANEL / PANEL**

Code / Kod	Drawing / Çizim	Quantity / Miktar	Dimensions (mm) / Boyutlar
Inside / İç PANEL		1 Pcs / Adet	SL - 166 SH - 166
		1 Pcs / Adet	SL - 72 SH - 56
Outside / Dış PANEL		1 Pcs / Adet	SL - 166 SH - 166
		1 Pcs / Adet	SL - 166 SH - 166

**GASKETS / FİTİLLER**

Code / Kod	Picture / Resim	Quantity / Miktar
EM84FD-01		2SL + 2SH
EM84FD-19		2SL + 2SH
EM3-09		3SL + 4SH
EM84-410		1FL1
0.RING-3 mm		2FL1 + 2FL2 + 4FH - 1100
EM2-11		2FL2 + 2FH
EM1-25		2FL1 + 2FL2 + 4FH - 1100
EM84-11		2FL2 + 2FH





**GLASS / CAM**

Code / Kod	Drawing / Çizim	Quantity / Miktar	Dimensions (mm) / Boyutlar
Glass / Cam		1 Pcs / Adet	GL = FL2 - 2A - 20 GH = FH - 2A - 20

**PROFILES / PROFİLLER**

Code / Kod	Drawing / Çizim	Cut / Kesim	Quantity / Miktar	Dimensions (mm) / Boyutlar	Mechanical Treatment / Mekanik İşlem
84FDH-102-20			1 Pcs / Adet	FL1	-
			1 Pcs / Adet	FH	
			1 Pcs / Adet	FH	
84FDH-221-18			2 Pcs / Adet	SL = FL1 - 110	-
			2 Pcs / Adet	SH = FH - 63	
84TH-103-18			2 Pcs / Adet	FL2	-
			2 Pcs / Adet	FH	
08-217-00			2 Pcs / Adet	CL1 = SL - 168	-
			2 Pcs / Adet	CH1 = SH - 212	
			2 Pcs / Adet	CL2 = FL2 - 2A	
			2 Pcs / Adet	CH2 = FH - 2A - 44	
84FDH-401-18			1 Pcs / Adet	FL1 - 173	-

**GASKETS / FITİLLER**

Code / Kod	Picture / Resim	Quantity / Miktar
EM84FD-01		2SL + 2SH
EM84FD-19		2SL + 2SH
EM3-09		3SL + 4SH
EM84-410		1FL1
O.RING-3 mm		2FL1 + 2FL2 + 4FH - 1100
EM2-11		2FL2 + 2FH
EM1-25		2FL1 + 2FL2 + 4FH - 1100
EM84-11		2FL2 + 2FH

**CORNER JOINTS / KÖŞE BAĞLANTILAR**

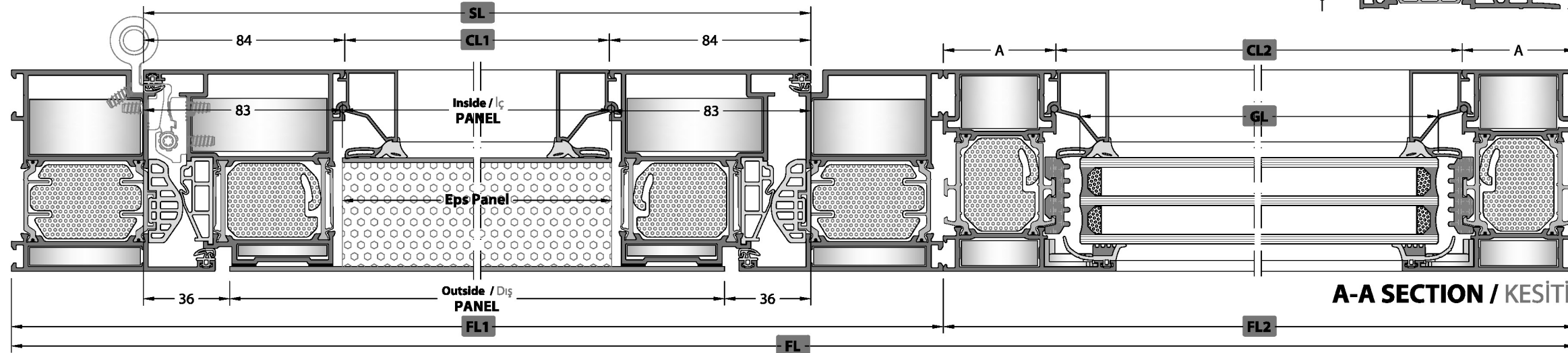
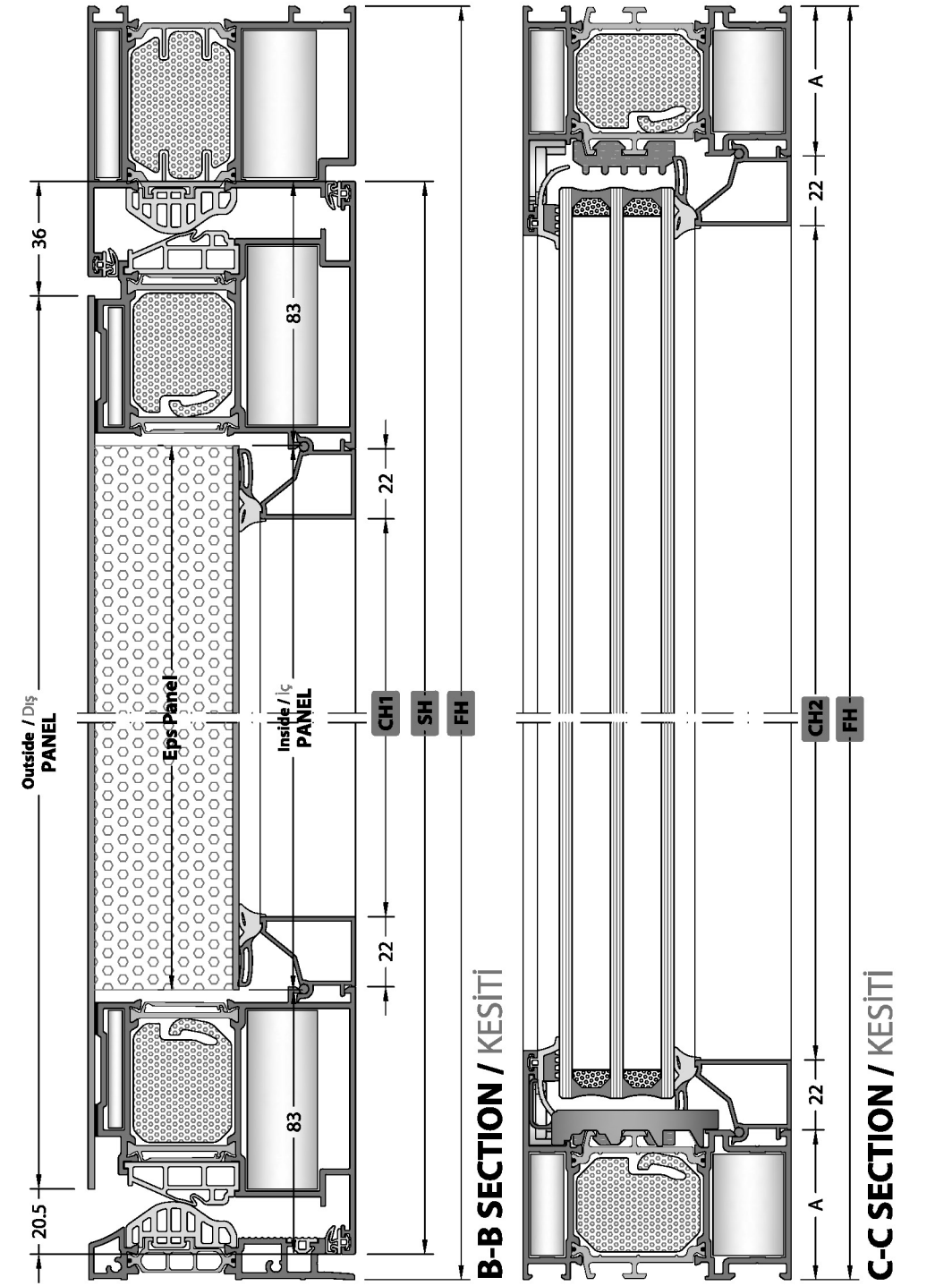
Code / Kod	Quantity / Miktar	Picture / Resim
CC-131-23.6	2 Pcs / Adet	
CC-131-07.9	2 Pcs / Adet	
CC-149-22.7	4 Pcs / Adet	
CC-108-05.0	4 Pcs / Adet	
CC-124-22.6 or / yada KC-809-22.4	4 Pcs / Adet	
CC-124-11.0 or / yada CPA-124-11.0	4 Pcs / Adet	
EM70-21	4 Pcs / Adet	

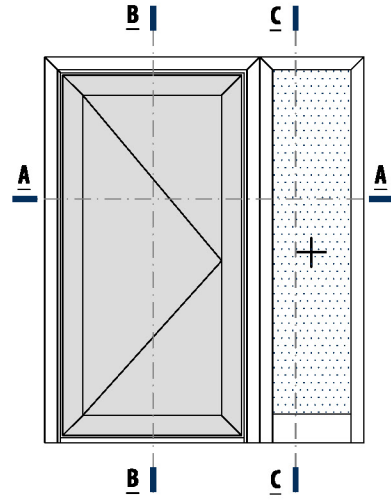
**CONSUMABLE MATERIALS / SARF MALZEMELER**

Code / Kod	Description / Açıklama	Quantity (pcs-m) / Miktar (Paket)	Picture / Resim
EM84FD-401	CAP / KAPAK	1 Set / Takım	
EM84FD-C01	ENJECTION CORNER / ENJEKSİYON KÖŞE	4 Piece / Adet	
EM84T-G01	FRAME GLASS WEDGE / KASA CAM TAKOZU	2 Piece / Adet	

**PANEL / PANEL**

Code / Kod	Drawing / Çizim	Quantity / Miktar	Dimensions (mm) / Boyutlar
Inside / İç PANEL		1 Pcs / Adet	SL - 166 SH - 166
		1 Pcs / Adet	SL - 72 SH - 56
Outside / Dış PANEL		1 Pcs / Adet	SL - 166 SH - 166





**GLASS / CAM**

Code / Kod	Drawing / Çizim	Quantity / Miktar	Dimensions (mm) / Boyutlar
GL		1 Pcs / Adet	GL = FL2 - 2A - 20 GH = FH - A - 135

**PROFILES / PROFİLLER**

Code / Kod	Drawing / Çizim	Cut / Kesim	Quantity / Miktar	Dimensions (mm) / Boyutlar	Mechanical Treatment / Mekanik İşlem
84FDH-102-20			1 Pcs / Adet	FL1	-
			1 Pcs / Adet	FH	
			1 Pcs / Adet	FH	
84FDH-221-18			2 Pcs / Adet	SL = FL1 - 110	-
			2 Pcs / Adet	SH = FH - 63	
84TH-103-18			1 Pcs / Adet	FL2	-
			1 Pcs / Adet	FH	
			1 Pcs / Adet	FH	
84TH-109-18			1 Pcs / Adet	FL2-2A	✓
08-217-00			2 Pcs / Adet	CL1 = SL - 168	-
			2 Pcs / Adet	CH1 = SH - 212	
			2 Pcs / Adet	CL2 = FL2 - 2A	
			2 Pcs / Adet	CH2 = FH - A - 159	
84FDH-401-18			1 Pcs / Adet	FL1 - 173	-

**GASKETS / FITİLLER**

Code / Kod	Picture / Resim	Quantity / Miktar
EM84FD-01		2SL + 2SH
EM84FD-19		2SL + 2SH
EM3-09		3SL + 4SH
EM84-410		1FL1
O.RING-3 mm		2FL1 + 2FL2 + 4FH - 1100
EM2-11		2FL2 + 2FH
EM1-25		2FL1 + 2FL2 + 4FH - 1100
EM84-11		2FL2 + 2FH

**CORNER JOINTS / KÖŞE BAĞLANTILAR**

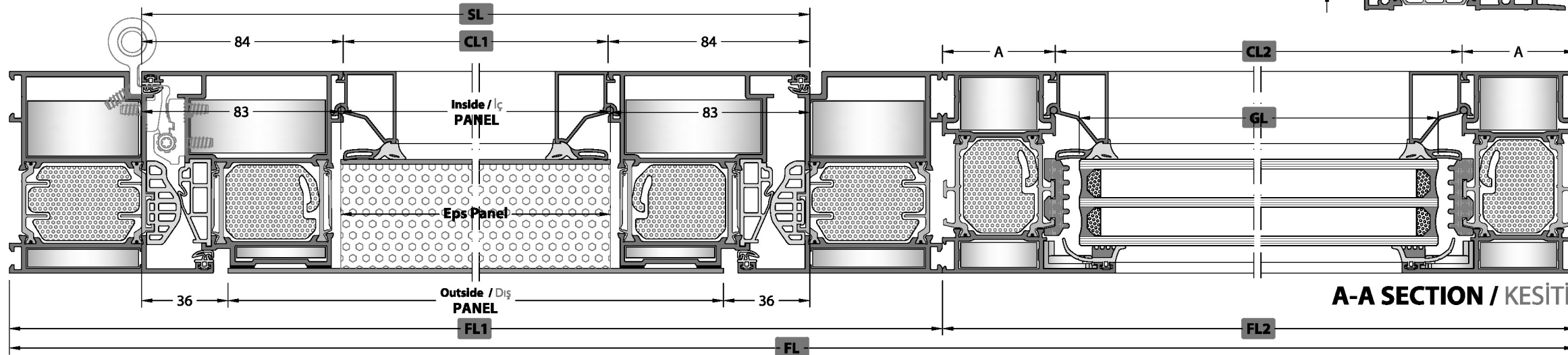
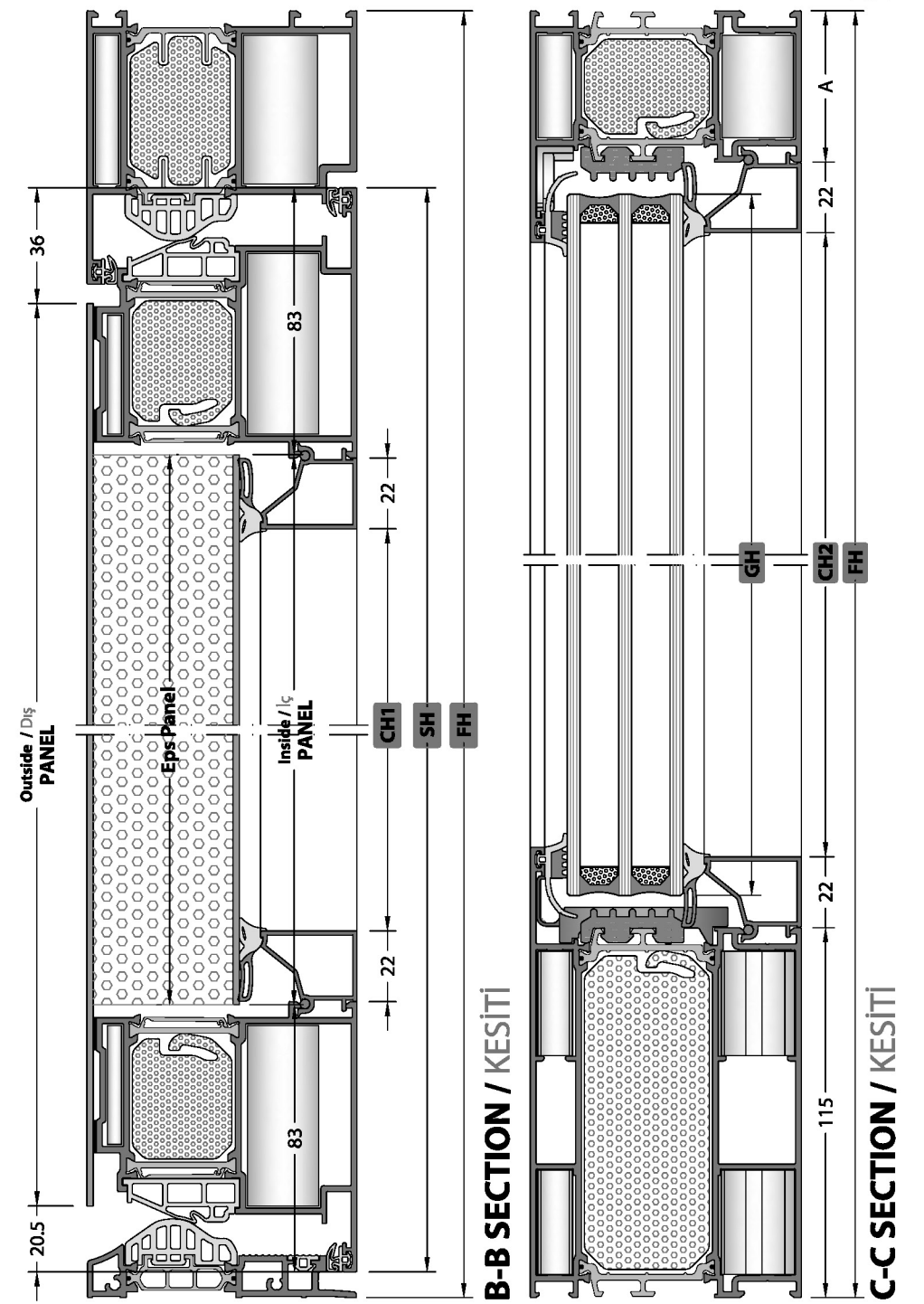
Code / Kod	Quantity / Miktar	Picture / Resim
CC-131-23.6	2 Pcs / Adet	
CC-131-07.9	2 Pcs / Adet	
CC-149-22.7	4 Pcs / Adet	
CC-108-05.0	4 Pcs / Adet	
CC-124-22.6 or / yada KC-809-22.4	2 Pcs / Adet	
CC-124-11.0 or / yada CPA-124-11.0	2 Pcs / Adet	
CA70T-911-32.4	4 Pcs / Adet	
CA70T-913-32.4	4 Pcs / Adet	
EM70-21	2 Pcs / Adet	

**CONSUMABLE MATERIALS / SARF MALZEMELER**

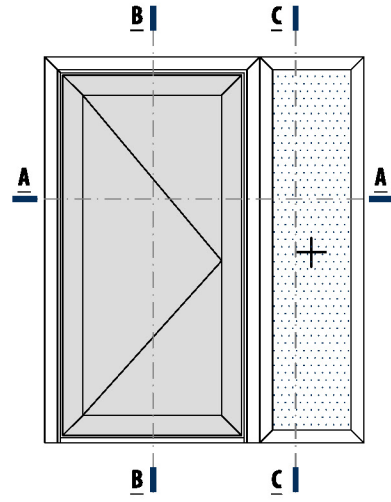
Code / Kod	Description / Açıklama	Quantity (pcs-m) / Miktar (Paket)	Picture / Resim
EM84FD-401	CAP / KAPAK	1 Set / Takım	
EM84FD-C01	ENJECTION CORNER / ENJEKSİYON KÖŞE	4 Piece / Adet	
EM84T-G01	FRAME GLASS WEDGE / KASA CAM TAKOZU	2 Piece / Adet	

**PANEL / PANEL**

Code / Kod	Drawing / Çizim	Quantity / Miktar	Dimensions (mm) / Boyutlar
Inside / İç PANEL		1 Pcs / Adet	SL - 166
		1 Pcs / Adet	SH - 166
Outside / Dış PANEL		1 Pcs / Adet	SL - 72
		1 Pcs / Adet	SH - 56
EPS PANEL		1 Pcs / Adet	SL - 166 SH - 166



**SEMI PANEL DOOR  
YARI PANEL KAPI  
OUTWARD / DIŞA AÇILIR**



**GLASS / CAM**

Code / Kod	Drawing / Çizim	Quantity / Miktar	Dimensions (mm) / Boyutlar
Glass / Cam		1 Pcs / Adet	GL = FL2 - 2A - 20 GH = FH - 2A - 20

**PROFILES / PROFİLLER**

Code / Kod	Drawing / Çizim	Cut / Kesim	Quantity / Miktar	Dimensions (mm) / Boyutlar	Mechanical Treatment / Mekanik İşlem
84FDH-102-20			1 Pcs / Adet	FL1	-
			1 Pcs / Adet	FH	
			1 Pcs / Adet	FH	
84FDH-222-18			2 Pcs / Adet	SL = FL1 - 140	-
			2 Pcs / Adet	SH = FH - 93	
84TH-103-18			2 Pcs / Adet	FL2	-
			2 Pcs / Adet	FH	
08-217-00			2 Pcs / Adet	CL1 = SL - 138	-
			2 Pcs / Adet	CH1 = SH - 182	
			2 Pcs / Adet	CL2 = FL2 - 2A	
84FDH-401-18			2 Pcs / Adet	CH2 = FH-2A-44	-
			1 Pcs / Adet	FL1 - 173	

**GASKETS / FİTİLLER**

Code / Kod	Picture / Resim	Quantity / Miktar
EM84FD-01		2SL + 2SH
EM84FD-19		2SL + 2SH
EM3-09		3SL + 4SH
EM84-410		1FL1
O.RING-3 mm		2FL1 + 2FL2 + 4FH - 1100
EM2-11		2FL2 + 2FH
EM1-25		2FL1 + 2FL2 + 4FH - 1100
EM84-11		2FL2 + 2FH

**CORNER JOINTS / KÖŞE BAĞLANTILAR**

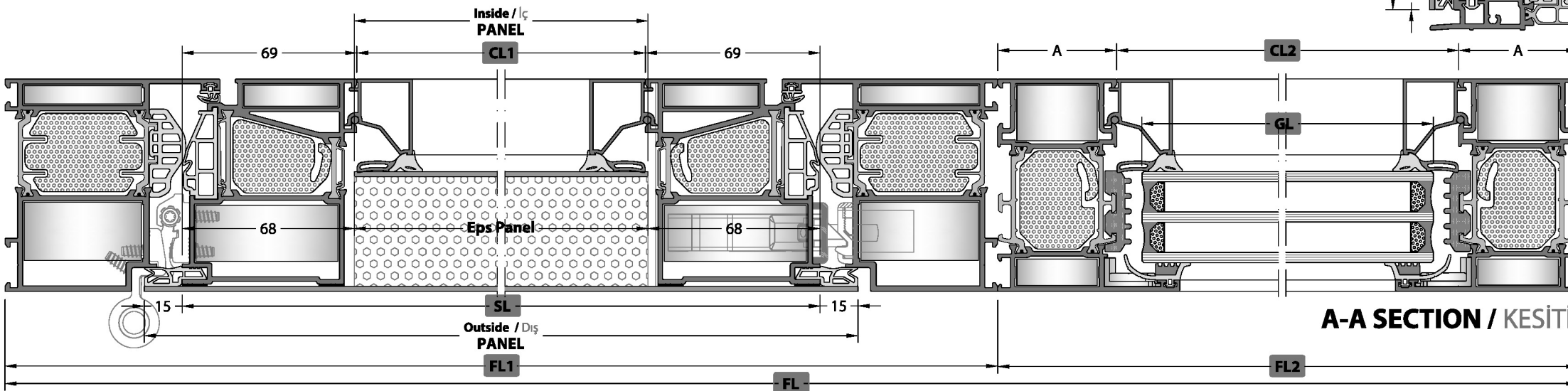
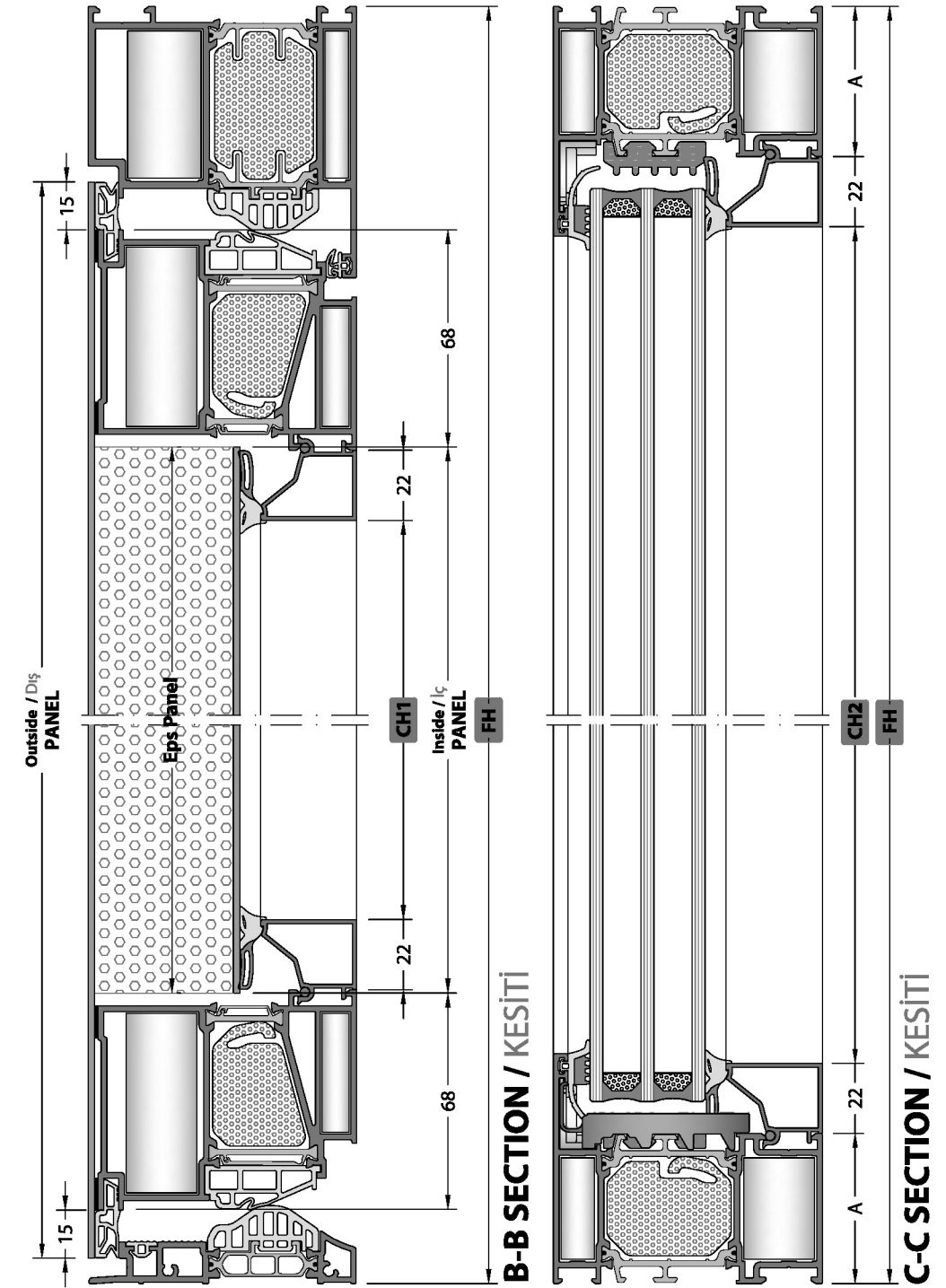
Code / Kod	Quantity / Miktar	Picture / Resim
CC-131-23.6	2 Pcs / Adet	
CC-131-07.9	2 Pcs / Adet	
CC-149-22.7	4 Pcs / Adet	
CC-108-09.0	4 Pcs / Adet	
CC-124-22.6 or / yada KC-809-22.4	4 Pcs / Adet	
CC-124-11.0 or / yada CPA-124-11.0	4 Pcs / Adet	
EM70-21	4 Pcs / Adet	

**CONSUMABLE MATERIALS / SARF MALZEMELER**

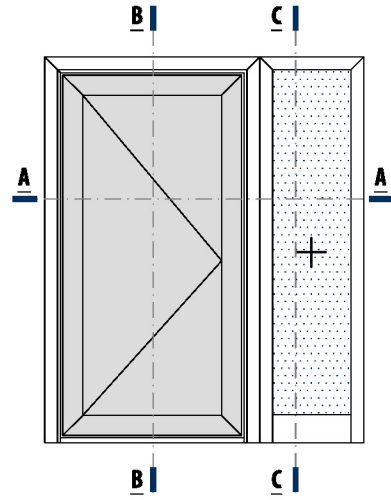
Code / Kod	Description / Açıklama	Quantity (pcs-m) / Miktar (Paket)	Picture / Resim
EM84FD-401	CAP / KAPAK	1 Set / Takım	
EM84FD-C01	ENJECTION CORNER / ENJEKSİYON KÖŞE	4 Piece / Adet	
EM84T-G01	FRAME GLASS WEDGE / KASA CAM TAKOZU	2 Piece / Adet	

**PANEL / PANEL**

Code / Kod	Drawing / Çizim	Quantity / Miktar	Dimensions (mm) / Boyutlar
Inside / İç PANEL		1 Pcs / Adet	SL - 136 SH - 136
		1 Pcs / Adet	SL + 30 SH + 30
Outside / Dış PANEL		1 Pcs / Adet	SL - 136 SH - 136



**SEMI PANEL DOOR  
YARI PANEL KAPI  
OUTWARD / DIŞA AÇILIR**



**GLASS / CAM**

Code / Kod	Drawing / Çizim	Quantity / Miktar	Dimensions (mm) / Boyutlar
GLASS / CAM		1 Pcs / Adet	GL = FL2 - 2A - 20 GH = FH - A - 135

**PROFILES / PROFİLLER**

Code / Kod	Drawing / Çizim	Cut / Kesim	Quantity / Miktar	Dimensions (mm) / Boyutlar	Mechanical Treatment / Mekanik İşlem
84FDH-102-20			1 Pcs / Adet	FL1	-
			1 Pcs / Adet	FH	
			1 Pcs / Adet	FH	
84FDH-222-18			2 Pcs / Adet	SL = FL1 - 140	-
			2 Pcs / Adet	SH = FH - 93	
84TH-103-18			1 Pcs / Adet	FL2	-
			1 Pcs / Adet	FH	
			1 Pcs / Adet	FH	
84TH-109-18			1 Pcs / Adet	FL2 - 2A	✓
08-217-00			2 Pcs / Adet	CL1 = SL - 138	-
			2 Pcs / Adet	CH1 = SH - 182	
			2 Pcs / Adet	CL2 = FL2 - 2A	
			2 Pcs / Adet	CH2 = FH - 2A - 44	
84FDH-401-18			1 Pcs / Adet	FL1 - 173	-

**GASKETS / FITİLLER**

Code / Kod	Picture / Resim	Quantity / Miktar
EM84FD-01		2SL + 2SH
EM84FD-19		2SL + 2SH
EM3-09		3SL + 4SH
EM84-410		1FL1
O.RING-3 mm		2FL1 + 2FL2 + 4FH - 1100
EM2-11		2FL2 + 2FH
EM1-25		2FL1 + 2FL2 + 4FH - 1100
EM84-11		2FL2 + 2FH

**CORNER JOINTS / KÖŞE BAĞLANTILAR**

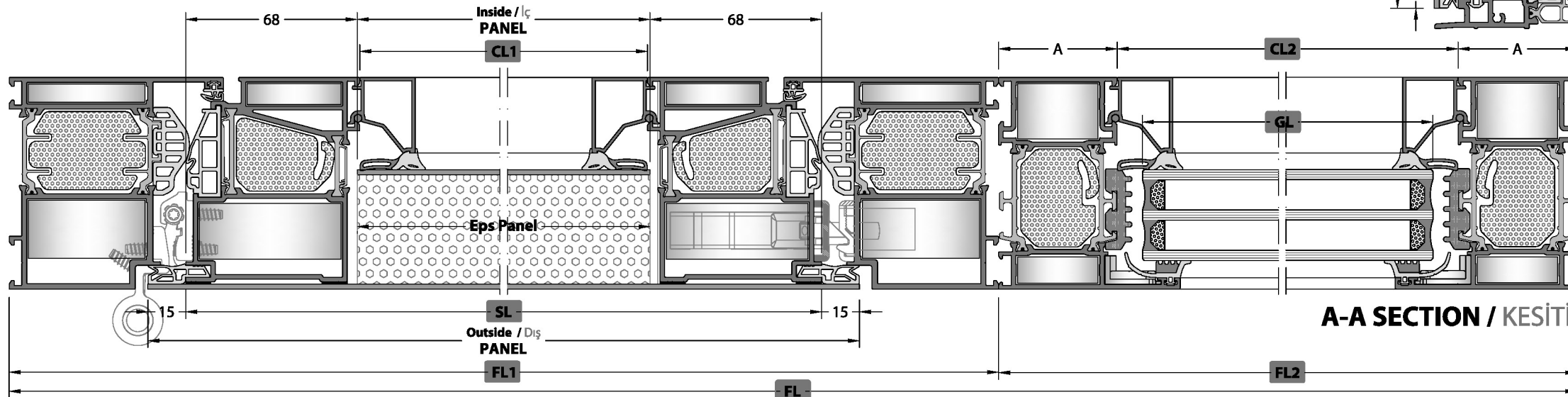
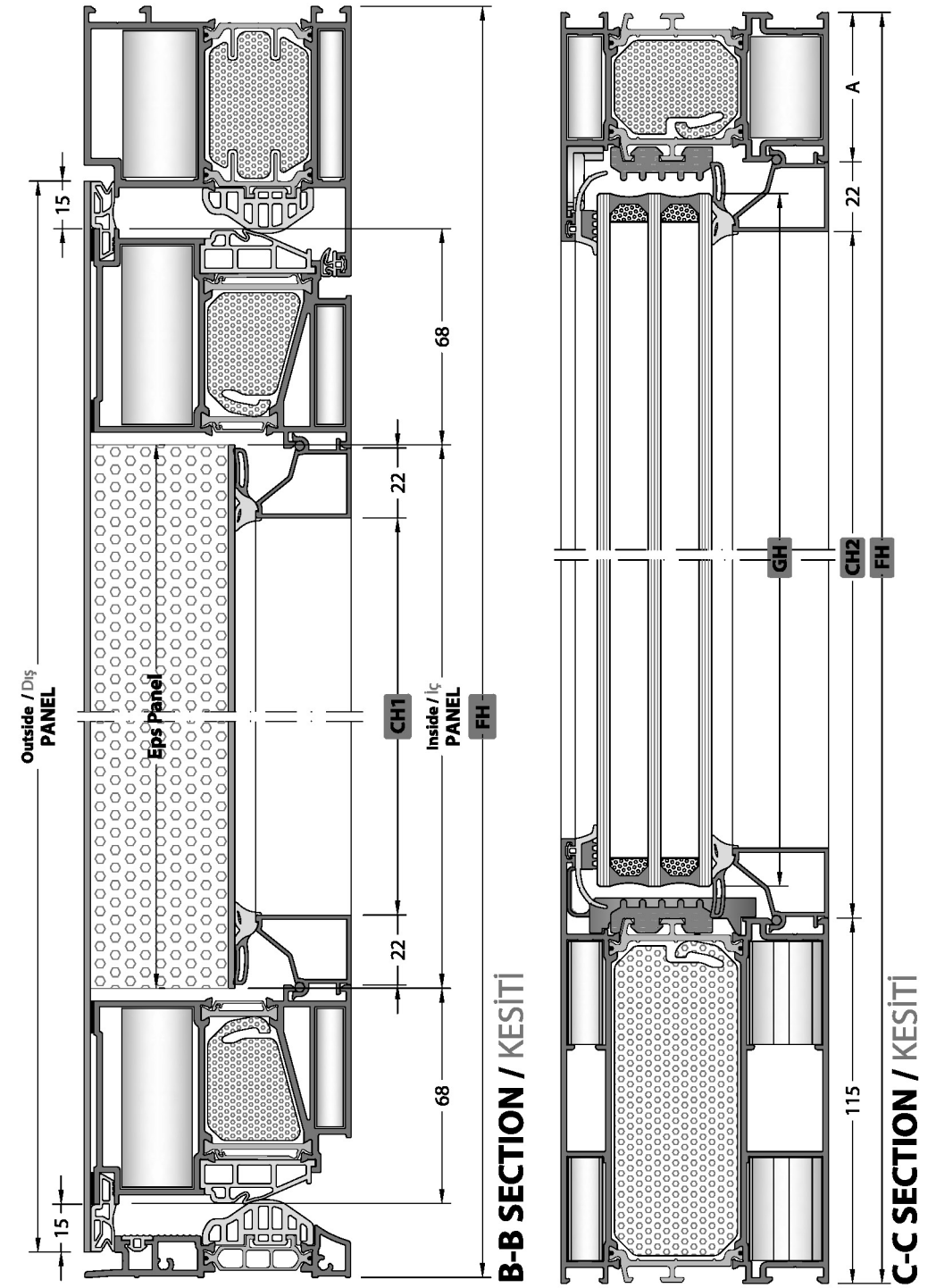
Code / Kod	Quantity / Miktar	Picture / Resim
CC-131-23.6	2 Pcs / Adet	
CC-131-07.9	2 Pcs / Adet	
CC-149-22.7	4 Pcs / Adet	
CC-108-09.0	4 Pcs / Adet	
CC-124-22.6 or / yada KC-809-22.4	2 Pcs / Adet	
CC-124-11.0 or / yada CPA-124-11.0	2 Pcs / Adet	
CA70T-911-32.4	4 Pcs / Adet	
CA70T-913-32.4	4 Pcs / Adet	
EM70-21	2 Pcs / Adet	

**CONSUMABLE MATERIALS / SARF MALZEMELER**

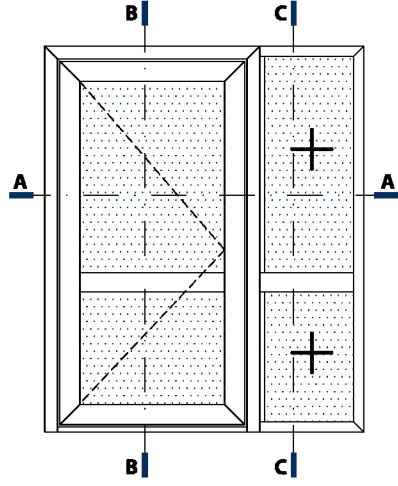
Code / Kod	Description / Açıklama	Quantity (pcs-m) / Miktar (Paket)	Picture / Resim
EM84FD-401	CAP / KAPAK	1 Set / Takım	
EM84FD-C01	ENJECTION CORNER / ENJEKSİYON KÖŞE	4 Piece / Adet	
EM84T-G01	FRAME GLASS WEDGE / KASA CAM TAKOZU	2 Piece / Adet	

**PANEL / PANEL**

Code / Kod	Drawing / Çizim	Quantity / Miktar	Dimensions (mm) / Boyutlar
Inside / İç PANEL		1 Pcs / Adet	SL - 136
			SH - 136
Outside / Dış PANEL		1 Pcs / Adet	SL + 30
			SH + 30
EPS PANEL		1 Pcs / Adet	SL - 136 SH - 136



**DOOR WITH GLASS**  
**CAMLI KAPI**  
**INWARD / İÇE AÇILIR**



**GLASS / CAM**

Code Kod	Drawing Çizim	Quantity Miktar	Dimensions (mm) Boyutlar
<b>Sash Glass</b> Kanat Cam		1 Pcs / Adet	GL1 = SL - 186 GH1 = HM - 134
		1 Pcs / Adet	GL1 = SL - 186 GH2 = H - HM - 181
<b>Fixed Glass</b> Sabit Cam		1 Pcs / Adet	GL2 = FL2 - A - 20 GH3 = HM - 90
		1 Pcs / Adet	GL2 = FL2 - A - 20 GH4 = H - HM - 90

**PROFILES / PROFİLLER**

Code Kod	Drawing Çizim	Cut Kesim	Quantity Miktar	Dimensions (mm) Boyutlar	Mechanical Treatment Mekanik İşlem
<b>84FDH-102-20</b>			1 Pcs / Adet	FL1	-
			1 Pcs / Adet	FH	
			1 Pcs / Adet	FH	
<b>84FDH-211-18</b>			2 Pcs / Adet	SL = FL1 - 110	-
			2 Pcs / Adet	SH = FH - 63	
<b>84TH-103-18</b>			1 Pcs / Adet	FL2	-
			1 Pcs / Adet	FL2	
			1 Pcs / Adet	FH	
<b>84TH-303-18</b>			1 Pcs / Adet	SL - 168	✓
			1 Pcs / Adet	FL2 - A	
<b>08-217-00</b>			4 Pcs / Adet	CL1 = SL - 168	-
			2 Pcs / Adet	CH1 = Hm - 160	
			2 Pcs / Adet	CH2 = H - Hm - 207	
			4 Pcs / Adet	CL2 = FL2 - A	
			2 Pcs / Adet	CH3 = Hm - 115	
			2 Pcs / Adet	CH4 = H - Hm - 115	
<b>84FD-504-00</b>			1 Pcs / Adet	Hm - 121	-
<b>84FD-503-00</b>			1 Pcs / Adet	H - Hm - 121	-
<b>84FDH-401-18</b>			1 Pcs / Adet	FL1 - 173	-

**GASKETS / FITİLLER**

Code / Kod	Picture / Resim	Quantity / Miktar
<b>EM84FD-01</b>		2SL + 2SH
<b>EM84FD-19</b>		2SL + 2SH
<b>EM3-09</b>		3SL + 4SH
<b>EM84-410</b>		1FL1
<b>O.RING-3 mm</b>		4FL1 + 4FL2 + 4FH - 1700
<b>EM2-11</b>		4FL1 + 4FL2 + 4FH - 1700
<b>EM1-25</b>		4FL1 + 4FL2 + 4FH - 1700
<b>EM84-11</b>		2FL1 + 4FL2 + 2FH - 600

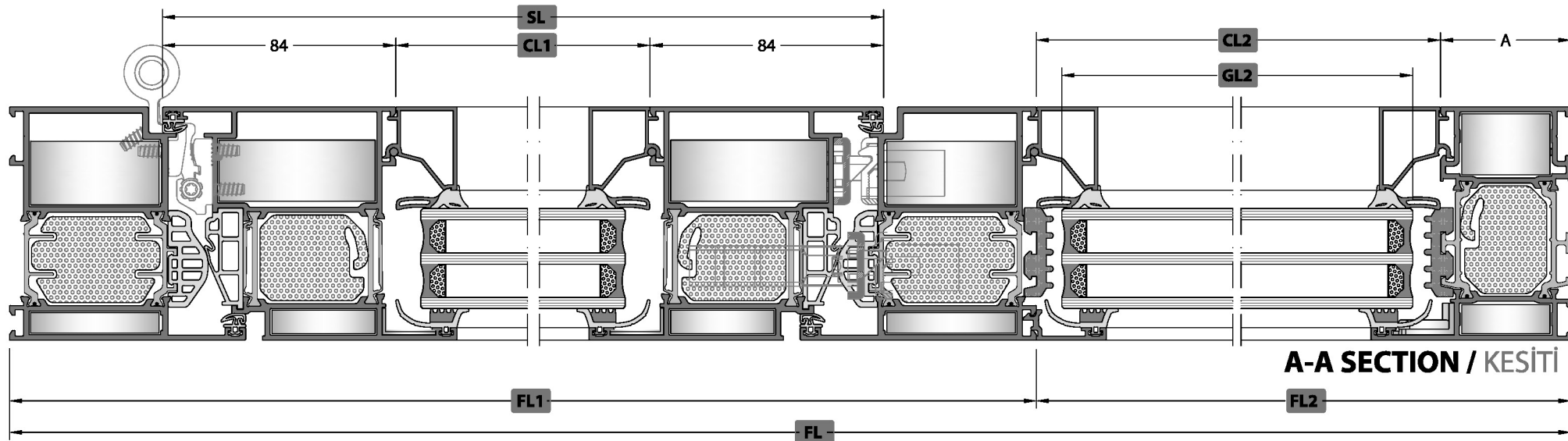
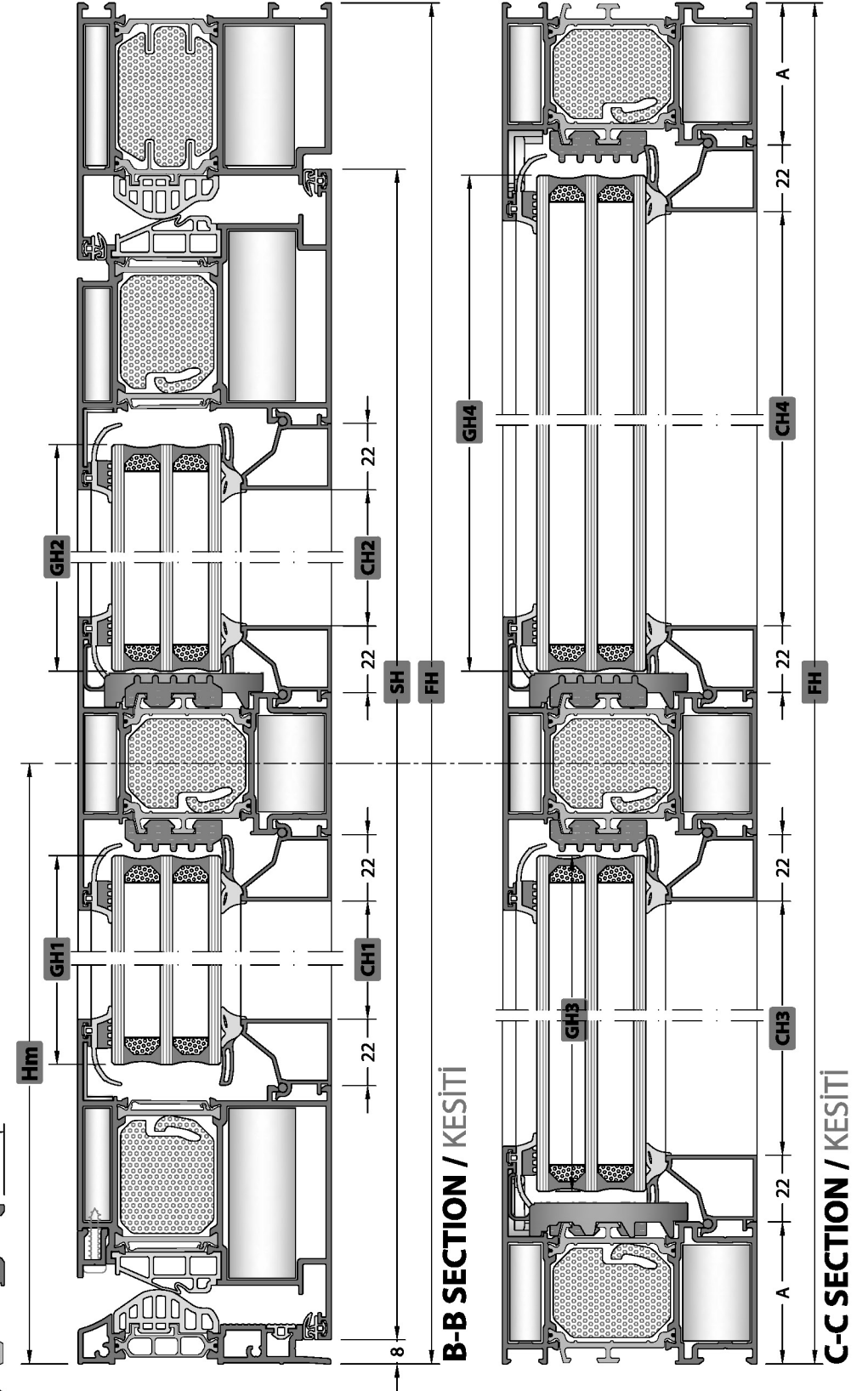
**CORNER JOINTS / KÖŞE BAĞLANTILAR**

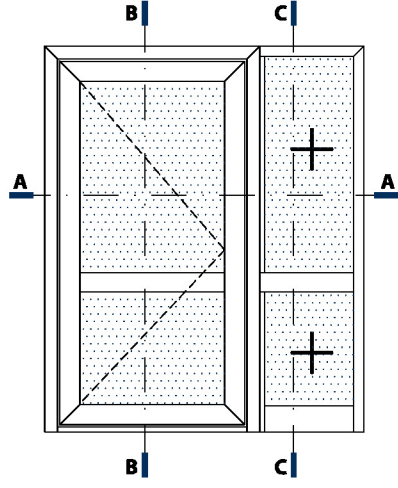
Code / Kod	Quantity / Miktar	Picture / Resim
<b>CC-131-23.6</b>	2 Pcs / Adet	
<b>CC-131-07.9</b>	2 Pcs / Adet	
<b>CC-149-22.7</b>	4 Pcs / Adet	
<b>CC-108-09.0</b>	4 Pcs / Adet	
<b>CC-124-22.6</b> or / yada <b>KC-809-22.4</b>	2 Pcs / Adet	
<b>CC-124-11.0</b> or / yada <b>CPA-124-11.0</b>	2 Pcs / Adet	
<b>EM70-21</b>	2 Pcs / Adet	
<b>EM58-21</b>	4 Pcs / Adet	
<b>CA84FD-911-32.4</b>	3 Pcs / Adet	
<b>CA70T-913-32.4</b>	5 Pcs / Adet	
<b>CA09-901-32.4</b>	2 Pcs / Adet	

**CONSUMABLE MATERIALS / SARF MALZEMELER**

Code / Kod	Description / Açıklama	Quantity (pcs-m) Miktar (Paket)	Picture / Resim
<b>EM84FD-401</b>	<b>CAP / KAPAK</b>	1 Set / Takım	
<b>EM84FD-C01</b>	<b>ENJECTION CORNER</b> ENEKSIYON KÖŞE	4 Piece / Adet	
<b>EM84T-G01</b>	<b>FRAME GLASS WEDGE</b> KASA CAM TAKOZU	4 Piece / Adet	
<b>EM84FD-503</b>	<b>DROPPER CAP</b> DAMLALIK KAPAĞI	1 Set / Takım	

**CUTTING SIZE / KESİM ÖLÇÜLERİ**  
**OPTION / OPSİYON**  
**1A**





**GLASS / CAM**

Code / Kod	Drawing / Çizim	Quantity / Miktar	Dimensions (mm) / Boyutlar
<b>Sash Glass</b> Kanat Cam		1 Pcs / Adet	GL1 = SL - 186 GH1 = HM - 134
		1 Pcs / Adet	GL1 = SL - 186 GH2 = H - HM - 181
<b>Fixed Glass</b> Sabit Cam		1 Pcs / Adet	GL2 = FL2 - A - 20 GH3 = HM - 158
		1 Pcs / Adet	GL2 = FL2 - A - 20 GH4 = H - HM - 90

**PROFILES / PROFİLLER**

Code / Kod	Drawing / Çizim	Cut / Kesim	Quantity / Miktar	Dimensions (mm) / Boyutlar	Mechanical Treatment / Mekanik İşlem
<b>84FDH-102-20</b>			1 Pcs / Adet	FL1	-
			1 Pcs / Adet	FH	
			1 Pcs / Adet	FH	
<b>84FDH-211-18</b>			2 Pcs / Adet	SL = FL1 - 110	-
			2 Pcs / Adet	SH = FH - 63	
<b>84TH-103-18</b>			1 Pcs / Adet	FL2	-
			1 Pcs / Adet	FH	
<b>84TH-109-18</b>			1 Pcs / Adet	FL2 - A	✓
<b>84TH-303-18</b>			1 Pcs / Adet	SL - 168	✓
			1 Pcs / Adet	FL2 - A	
<b>08-217-00</b>			4 Pcs / Adet	CL1 = SL - 168	-
			2 Pcs / Adet	CH1 = Hm - 160	
			2 Pcs / Adet	CH2 = H - Hm - 207	
			4 Pcs / Adet	CL2 = FL2 - A	
			2 Pcs / Adet	CH3 = Hm - 183	
			2 Pcs / Adet	CH4 = H - Hm - 115	
<b>84FD-504-00</b>			1 Pcs / Adet	Hm - 189	-
<b>84FD-503-00</b>			1 Pcs / Adet	SL - 75	-
<b>84FDH-401-18</b>			1 Pcs / Adet	FL1 - 173	-

**GASKETS / FITİLLER**

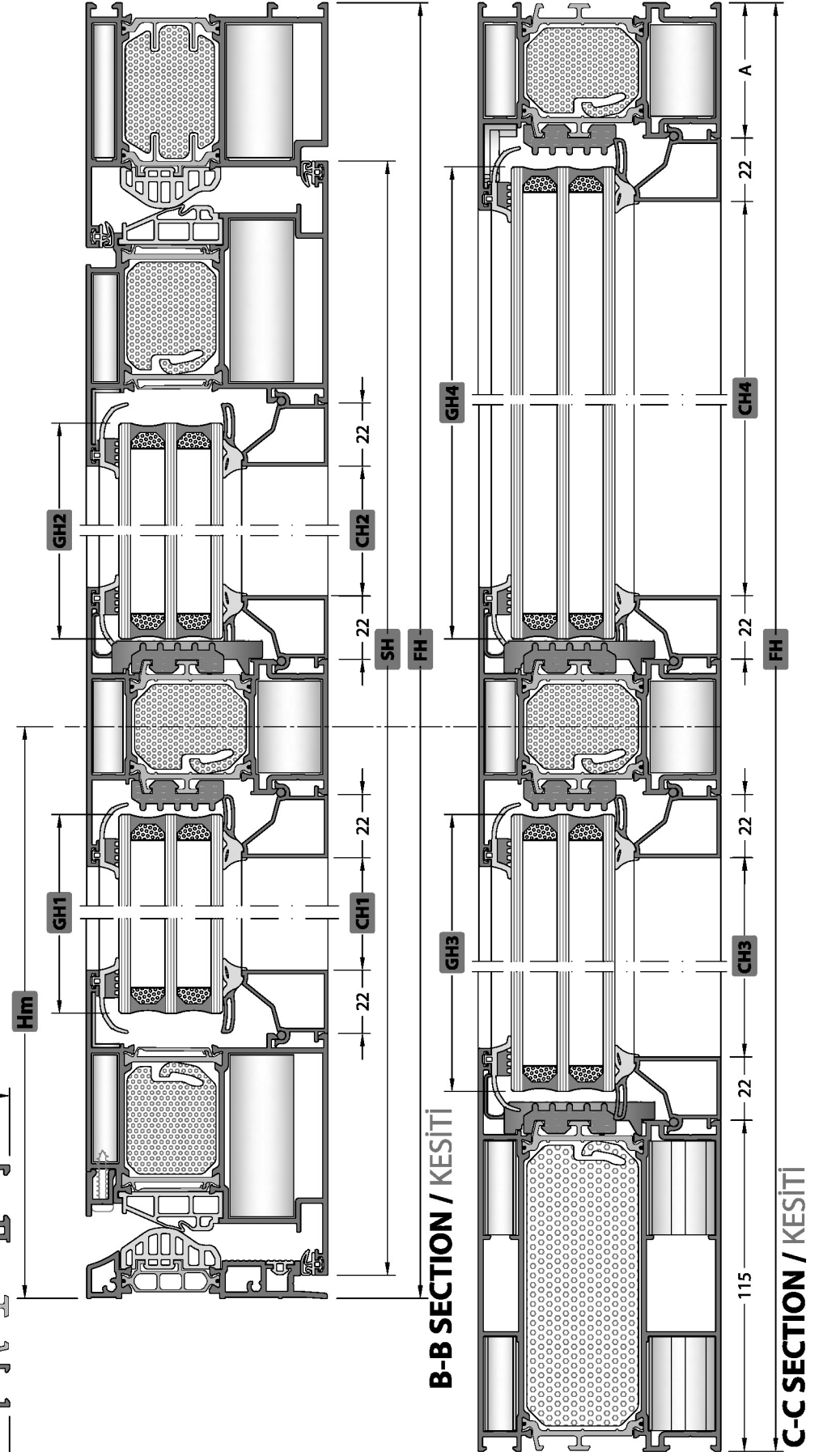
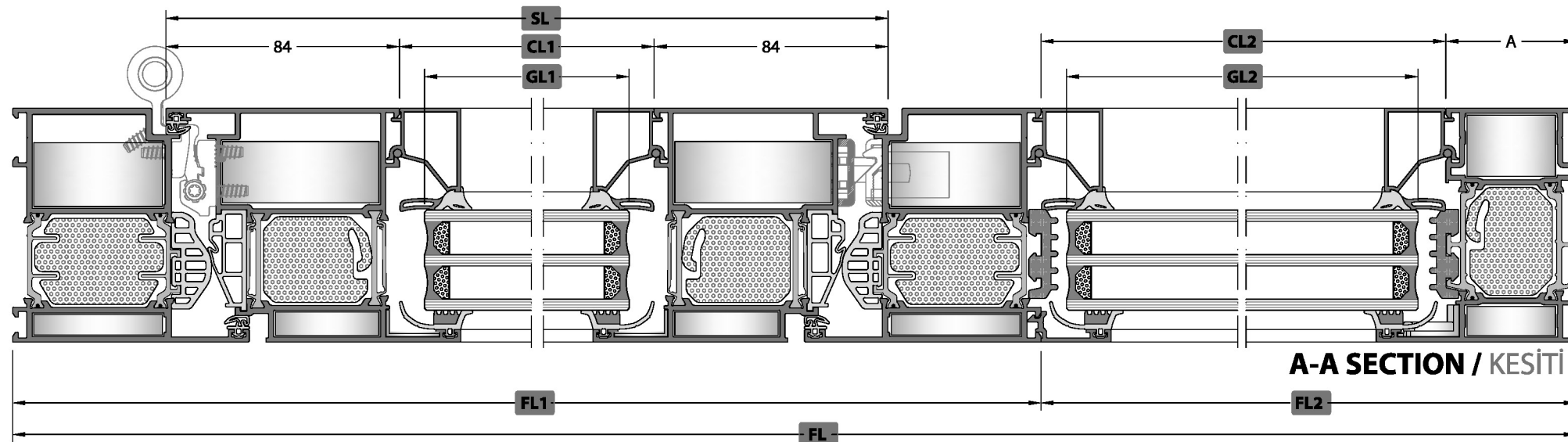
Code / Kod	Picture / Resim	Quantity / Miktar
<b>EM84FD-01</b>		2SL + 2SH
<b>EM84FD-19</b>		2SL + 2SH
<b>EM3-09</b>		3SL + 4SH
<b>EM84-410</b>		1FL1
<b>O.RING-3 mm</b>		4FL1 + 4FL2 + 4FH - 1700
<b>EM2-11</b>		4FL1 + 4FL2 + 4FH - 1700
<b>EM1-25</b>		4FL1 + 4FL2 + 4FH - 1700
<b>EM84-11</b>		2FL1 + 4FL2 + 2FH - 600

**CORNER JOINTS / KÖŞE BAĞLANTILAR**

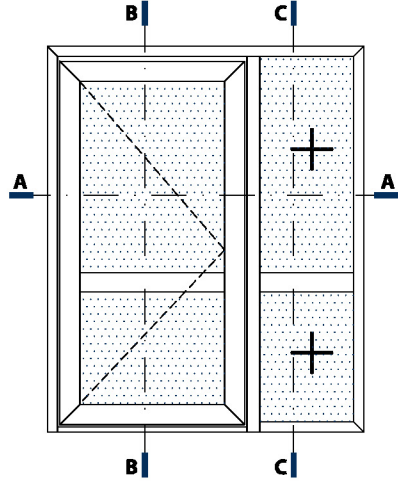
Code / Kod	Quantity / Miktar	Picture / Resim
<b>CC-131-23.6</b>	2 Pcs / Adet	
<b>CC-131-07.9</b>	2 Pcs / Adet	
<b>CC-149-22.7</b>	4 Pcs / Adet	
<b>CC-108-09.0</b>	4 Pcs / Adet	
<b>CC-124-22.6</b> or / yada <b>KC-809-22.4</b>	1 Pcs / Adet	
<b>CC-124-11.0</b> or / yada <b>CPA-124-11.0</b>	1 Pcs / Adet	
<b>EM70-21</b>	1 Pcs / Adet	
<b>EM58-21</b>	4 Pcs / Adet	
<b>CA84FD-911-32.4</b>	4 Pcs / Adet	
<b>CA70T-913-32.4</b>	9 Pcs / Adet	
<b>CA09-901-32.4</b>	5 Pcs / Adet	

**CONSUMABLE MATERIALS / SARF MALZEMELER**

Code / Kod	Description / Açıklama	Quantity (pcs-m) / Miktar (Paket)	Picture / Resim
<b>EM84FD-401</b>	<b>CAP / KAPAK</b>	1 Set / Takım	
<b>EM84FD-C01</b>	<b>ENJECTION CORNER</b> ENJEKSİYON KÖŞE	4 Piece / Adet	
<b>EM84T-G01</b>	<b>FRAME GLASS WEDGE</b> KASA CAM TAKOZU	4 Piece / Adet	
<b>EM84FD-503</b>	<b>DROPPER CAP</b> DAMLALIK KAPAĞI	1 Set / Takım	



**DOOR WITH GLASS**  
**CAMLI KAPI**  
**INWARD / İÇE AÇILIR**



**OPTION / OPSİYON**  
**2A**

**GLASS / CAM**

Code / Kod	Drawing / Çizim	Quantity / Miktar	Dimensions (mm) / Boyutlar
Sash Glass / Kanat Cam		1 Pcs / Adet	GL1 = SL - 186 GH1 = HM - 134
		1 Pcs / Adet	GL1 = SL - 186 GH2 = H - HM - A - 133
Fixed Glass / Sabit Cam		1 Pcs / Adet	GL2 = FL2 - A - (B/2) - 20 GH3 = HM - 90
		1 Pcs / Adet	GL2 = FL2 - A - (B/2) - 20 GH4 = H - HM - 90

**PROFILES / PROFİLLER**

Code / Kod	Drawing / Çizim	Cut / Kesim	Quantity / Miktar	Dimensions (mm) / Boyutlar	Mechanical Treatment / Mekanik İşlem
84TH-103-18			1 Pcs / Adet	FL	-
			1 Pcs / Adet	FH	
			1 Pcs / Adet	FH	
			1 Pcs / Adet	FL2 - (B/2)	
84FDH-211-18			2 Pcs / Adet	SL = FL1 - A - (B/2) - 10	-
			2 Pcs / Adet	SH = FH - A - 13	
84FD-502-00			1 Pcs / Adet	SL + 20	-
			1 Pcs / Adet	SH + 18	
			1 Pcs / Adet	SH + 18	
84FD-303-18			1 Pcs / Adet	FH - A	✓
			1 Pcs / Adet	SL - 168	
			1 Pcs / Adet	FL2 - A - (B/2)	
08-217-00			4 Pcs / Adet	CL1 = SL - 168	-
			2 Pcs / Adet	CH1 = Hm - 160	
			2 Pcs / Adet	CH2 = H - Hm - A - 157	
			4 Pcs / Adet	CL2 = FL2 - A - (B/2)	
			2 Pcs / Adet	CH3 = Hm - 115	
			2 Pcs / Adet	CH4 = H - Hm - 115	
84FD-503-00			1 Pcs / Adet	SL - 75	-
84FDH-401-18			1 Pcs / Adet	SL - 63	-

**CORNER JOINTS / KÖŞE BAĞLANTILAR**

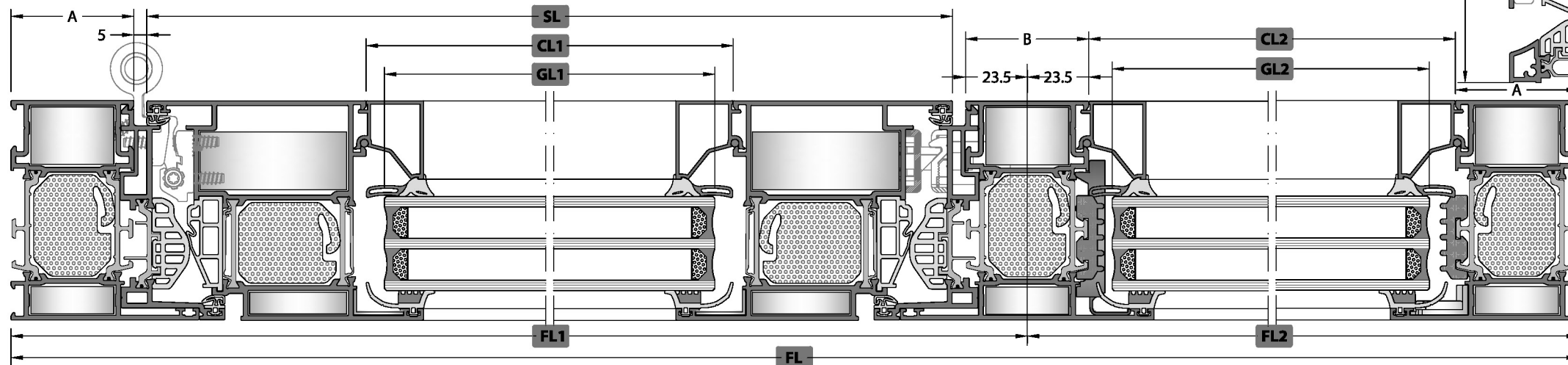
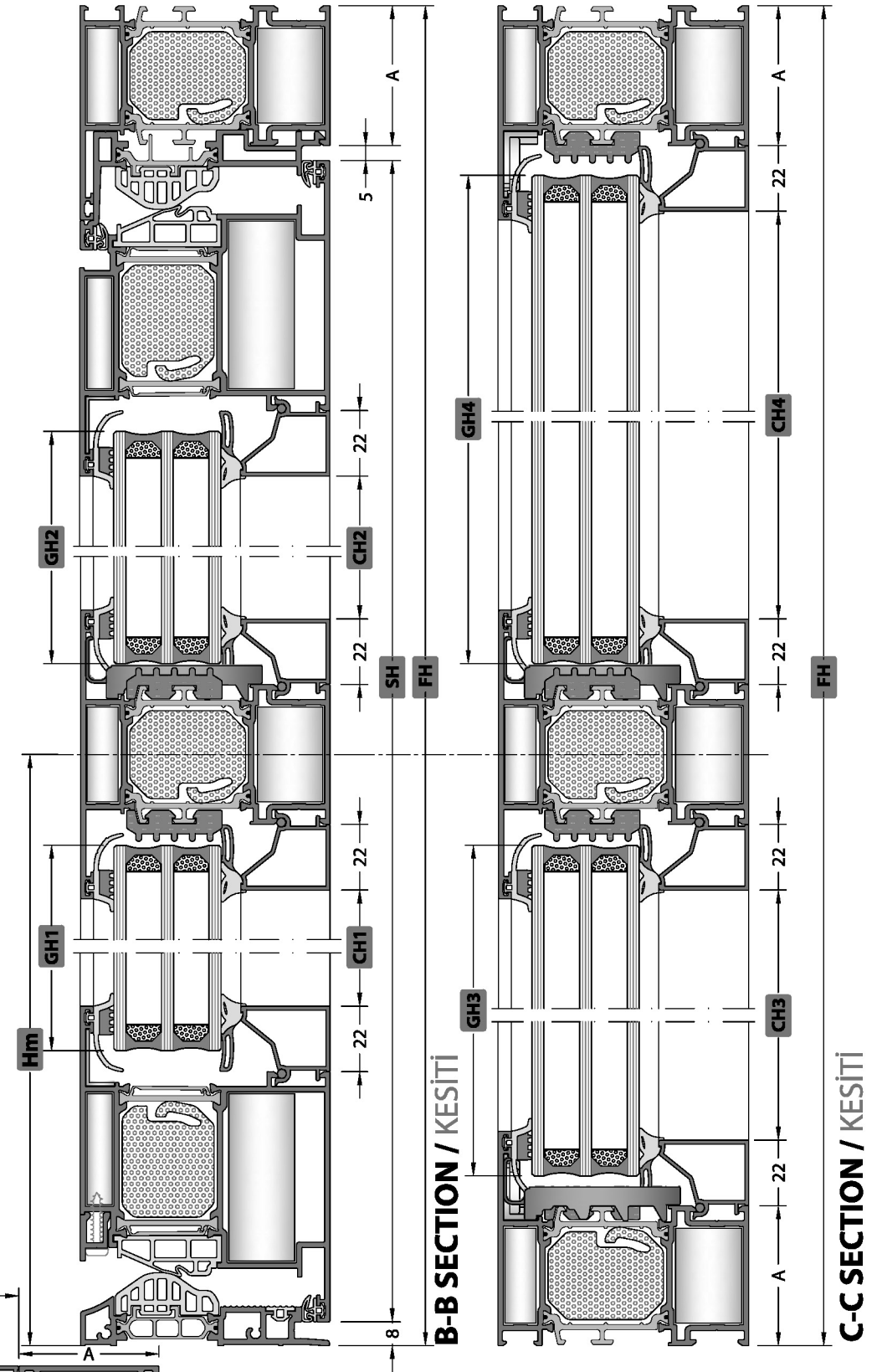
Code / Kod	Quantity / Miktar	Picture / Resim
CC-124-22.6 or / yada KC-809-22.4	3 Pcs / Adet	
CC-124-11.0 or / yada CPA-124-11.0	3 Pcs / Adet	
CC-149-22.7	4 Pcs / Adet	
CC-108-09.0	4 Pcs / Adet	
EM70-21	3 Pcs / Adet	
EM58-21	4 Pcs / Adet	
CA70T-911-32.4	4 Pcs / Adet	
CA70T-913-32.4	6 Pcs / Adet	
CA09-901-32.4	2 Pcs / Adet	

**CONSUMABLE MATERIALS / SARF MALZEMELER**

Code / Kod	Description / Açıklama	Quantity (pcs-m) / Miktar (Paket)	Picture / Resim
EM84FD-401	CAP / KAPAK	1 Set / Takım	
EM84FD-C01	ENJECTION CORNER / ENJEKSİYON KÖŞE	4 Piece / Adet	
EM84T-G01	FRAME GLASS WEDGE / KASA CAM YAKOZU	4 Piece / Adet	
EM84FD-503	DROPPER CAP / DAMLALIK KAPAĞI	1 Set / Takım	

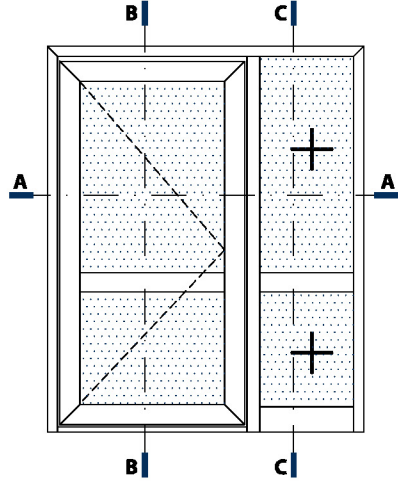
**GASKETS / FİTİLLER**

Code / Kod	Picture / Resim	Quantity / Miktar
EM84FD-01		2SL + 2SH
EM84FD-19		2SL + 2SH
EM3-09		3SL + 4SH
EM84-410		1FL1
O.RING-3 mm		4FL1 + 4FL2 + 4FH - 1700
EM2-11		4FL1 + 4FL2 + 4FH - 1700
EM1-25		4FL1 + 4FL2 + 4FH - 1700
EM84-11		2FL1 + 4FL2 + 2FH - 600



**A-A SECTION / KESİTİ**

**DOOR WITH GLASS  
CAMLI KAPI  
INWARD / İÇE AÇILIR**



**OPTION / OPSİYON  
2B**

**GLASS / CAM**

Code / Kod	Drawing / Çizim	Quantity / Miktar	Dimensions (mm) / Boyutlar
Sash Glass / Kanat Cam		1 Pcs / Adet	GL1 = SL - 186 GH1 = HM - 134
		1 Pcs / Adet	GL1 = SL - 186 GH2 = H - HM - A - 133
Fixed Glass / Sabit Cam		1 Pcs / Adet	GL2 = FL2 - A - (B/2) - 20 GH3 = HM - 159
		1 Pcs / Adet	GL2 = FL2 - A - (B/2) - 20 GH4 = H - HM - 90

**PROFILES / PROFİLLER**

Code / Kod	Drawing / Çizim	Cut / Kesim	Quantity / Miktar	Dimensions (mm) / Boyutlar	Mechanical Treatment / Mekanik İşlem
84TH-103-18			1 Pcs / Adet	FL	-
			1 Pcs / Adet	FH	-
			1 Pcs / Adet	FH	-
84FDH-211-18			2 Pcs / Adet	SL = FL1 - A - (B/2) - 10	-
			2 Pcs / Adet	SH = FH - A - 13	-
84FD-502-00			1 Pcs / Adet	SL + 20	-
			1 Pcs / Adet	SH + 18	-
			1 Pcs / Adet	SH + 18	-
84FD-303-18			1 Pcs / Adet	FH - A	-
			1 Pcs / Adet	SL - 168	✓
			1 Pcs / Adet	FL2 - A - (B/2)	✓
84TH-109-18			1 Pcs / Adet	FL2 - A - (B/2)	✓
08-217-00			4 Pcs / Adet	CL1 = SL - 168	-
			2 Pcs / Adet	CH1 = Hm - 160	-
			2 Pcs / Adet	CH2 = H - Hm - A - 157	-
			4 Pcs / Adet	CL2 = FL2 - A - (B/2)	-
			2 Pcs / Adet	CH3 = Hm - 183	-
84FD-503-00			1 Pcs / Adet	SL - 75	-
84FDH-401-18			1 Pcs / Adet	SL - 63	-

**GASKETS / FİTİLLER**

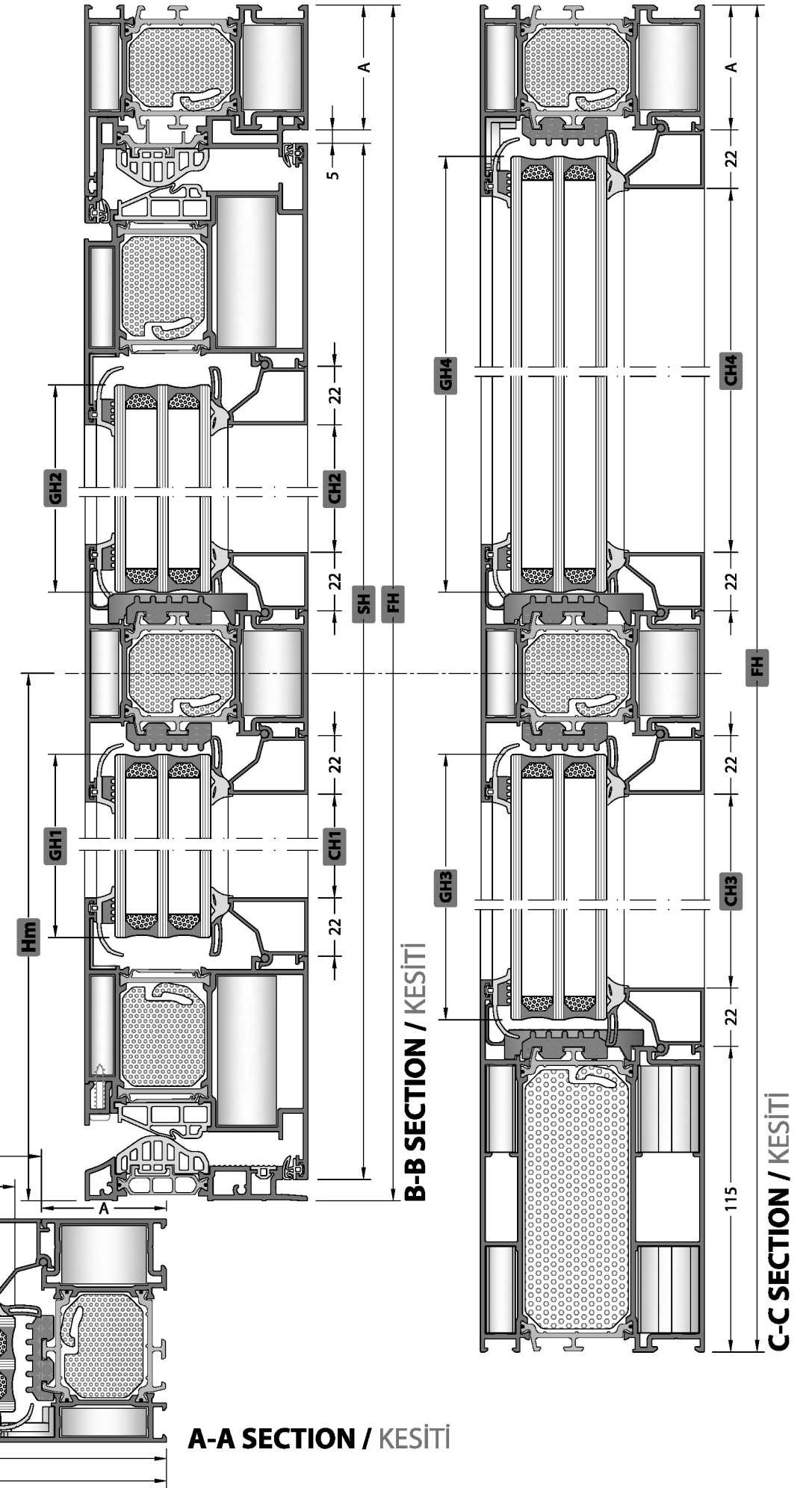
Code / Kod	Picture / Resim	Quantity / Miktar
EM84FD-01		2SL + 2SH
EM84FD-19		2SL + 2SH
EM3-09		3SL + 4SH
EM84-410		1FL1
0.RING-3 mm		4FL1 + 4FL2 + 4FH - 1700
EM2-11		4FL1 + 4FL2 + 4FH - 1700
EM1-25		4FL1 + 4FL2 + 4FH - 1700
EM84-11		2FL1 + 4FL2 + 2FH - 600

**CORNER JOINTS / KÖŞE BAĞLANTILAR**

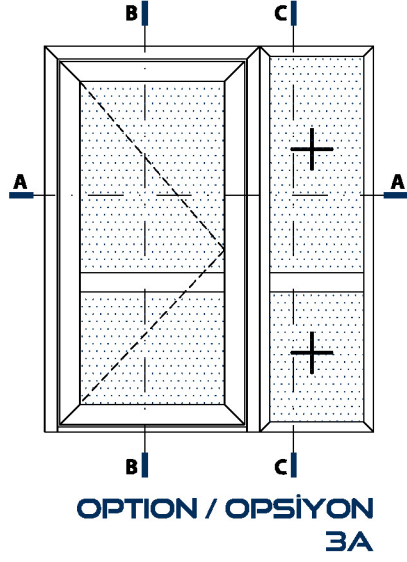
Code / Kod	Quantity / Miktar	Picture / Resim
CC-124-22.6 or / yada KC-809-22.4	2 Pcs / Adet	
CC-124-11.0 or / yada CPA-124-11.0	2 Pcs / Adet	
CC-149-22.7	4 Pcs / Adet	
CC-108-09.0	4 Pcs / Adet	
EM70-21	2 Pcs / Adet	
EM58-21	4 Pcs / Adet	
CA70T-911-32.4	7 Pcs / Adet	
CA70T-913-32.4	9 Pcs / Adet	
CA09-901-32.4	2 Pcs / Adet	

**CONSUMABLE MATERIALS / SARF MALZEMELER**

Code / Kod	Description / Açıklama	Quantity (pcs-m) / Miktar (Paket)	Picture / Resim
EM84FD-401	CAP / KAPAK	1 Set / Takım	
EM84FD-C01	ENJEKSİYON KÖŞE	4 Piece / Adet	
EM84T-G01	FRAME GLASS WEDGE / KASA CAM TAKOZU	4 Piece / Adet	
EM84FD-503	DROPPER CAP / DAMLALIK KAPAĞI	1 Set / Takım	



**DOOR WITH GLASS**  
**CAMLI KAPI**  
**INWARD / İÇE AÇILIR**



**GLASS / CAM**

Code / Kod	Drawing / Çizim	Quantity / Miktar	Dimensions (mm) / Boyutlar
Sash Glass / Kanat Cam		1 Pcs / Adet	GL1 = SL - 186 GH1 = HM - 134
		1 Pcs / Adet	GL1 = SL - 186 GH2 = H - HM - 181
Fixed Glass / Sabit Cam		1 Pcs / Adet	GL2 = FL2 - 2A - 20 GH3 = HM - 90
		1 Pcs / Adet	GL2 = FL2 - 2A - 20 GH4 = H - HM - 90

**PROFILES / PROFİLLER**

Code / Kod	Drawing / Çizim	Cut / Kesim	Quantity / Miktar	Dimensions (mm) / Boyutlar	Mechanical Treatment / Mekanik İşlem
84FDH-102-20			1 Pcs / Adet	FL1	-
			1 Pcs / Adet	FH	-
			1 Pcs / Adet	FH	-
84FDH-211-18			2 Pcs / Adet	SL = FL1 - 110	-
			2 Pcs / Adet	SH = FH - 63	-
84TH-103-18			2 Pcs / Adet	FL2	-
			2 Pcs / Adet	FH	-
84FD-303-18			1 Pcs / Adet	SL - 168	✓
			1 Pcs / Adet	FL2 - 2A	✓
08-217-00			4 Pcs / Adet	CL1 = SL - 168	-
			2 Pcs / Adet	CH1 = Hm - 160	-
			2 Pcs / Adet	CH2 = H - Hm - 207	-
			4 Pcs / Adet	CL2 = FL2 - 2A	-
			2 Pcs / Adet	CH3 = Hm - 115	-
			2 Pcs / Adet	CH4 = H - Hm - 115	-
84FD-503-00			1 Pcs / Adet	SL - 75	-
84FDH-401-18			1 Pcs / Adet	FL1 - 173	-

**CORNER JOINTS / KÖŞE BAĞLANTILAR**

Code / Kod	Quantity / Miktar	Picture / Resim
CC-131-23.6	2 Pcs / Adet	
CC-131-07.9	2 Pcs / Adet	
CC-149-22.7	4 Pcs / Adet	
CC-108-09.0	4 Pcs / Adet	
CC-124-22.6 or / yada KC-809-22.4	4 Pcs / Adet	
CC-124-11.0 or / yada CPA-124-11.0	4 Pcs / Adet	
EM70-21	4 Pcs / Adet	
EM58-21	4 Pcs / Adet	
CA70T-911-32.4	2 Pcs / Adet	
CA70T-913-32.4	4 Pcs / Adet	
CA09-901-32.4	2 Pcs / Adet	

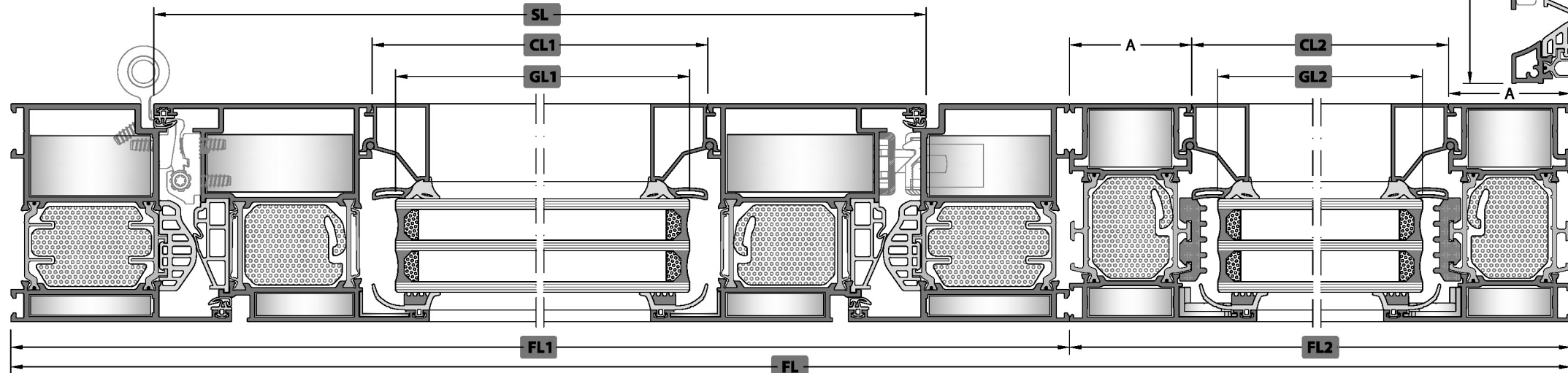
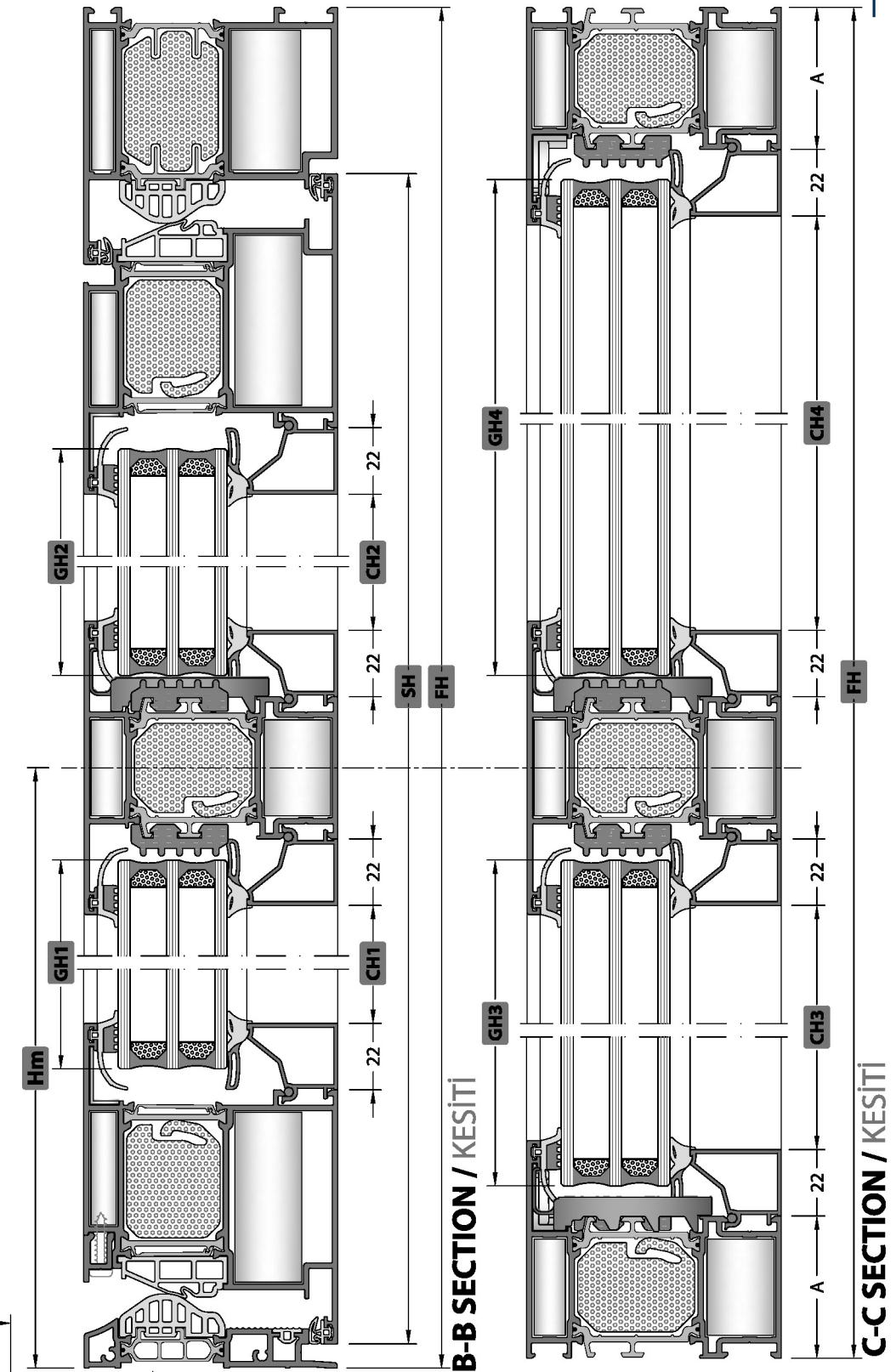
**GASKETS / FİTİLLER**

Code / Kod	Picture / Resim	Quantity / Miktar
EM84FD-01		2SL + 2SH
EM84FD-19		2SL + 2SH
EM3-09		3SL + 4SH
EM84-410		1FL1
0.RING-3 mm		4FL1 + 4FL2 + 4FH - 1500
EM2-11		4FL1 + 4FL2 + 4FH - 1500
EM1-25		4FL1 + 4FL2 + 4FH - 1500
EM84-11		2FL1 + 4FL2 + 2FH

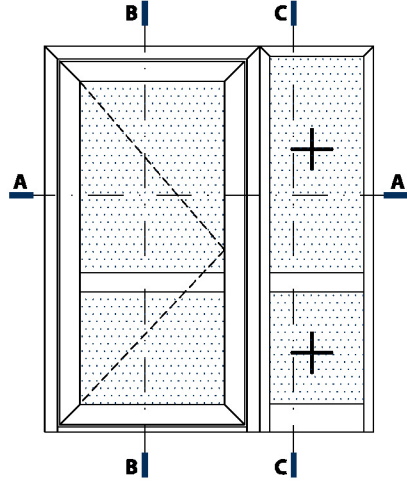
**CONSUMABLE MATERIALS / SARF MALZEMELER**

Code / Kod	Description / Açıklama	Quantity (pcs-m) / Miktar (Paket)	Picture / Resim
EM84FD-401	CAP / KAPAK	1 Set / Takım	
EM84FD-C01	ENJECTION CORNER / ENJEKSİYON KÖŞE	4 Piece / Adet	
EM84T-G01	FRAME GLASS WEDGE / KASA CAM TAKOZU	4 Piece / Adet	
EM84FD-503	DROPPER CAP / DAMLALIK KAPAGI	1 Set / Takım	

**CUTTING SIZE / KESİM ÖLÇÜLERİ**



**DOOR WITH GLASS  
CAMLI KAPI**  
INWARD / İÇE AÇILIR



**OPTION / OPSİYON  
3B**

**GLASS / CAM**

Code / Kod	Drawing / Çizim	Quantity / Miktar	Dimensions (mm) / Boyutlar
<b>Sash Glass</b> Kanat Cam		1 Pcs / Adet	GL1 = SL - 186 GH1 = HM - 134
		1 Pcs / Adet	GL1 = SL - 186 GH2 = H - HM - 181
<b>Fixed Glass</b> Sabit Cam		1 Pcs / Adet	GL2 = FL2 - 2A - 20 GH3 = HM - 158
		1 Pcs / Adet	GL2 = FL2 - 2A - 20 GH4 = H - HM - 90

**PROFILES / PROFİLLER**

Code / Kod	Drawing / Çizim	Cut / Kesim	Quantity / Miktar	Dimensions (mm) / Boyutlar	Mechanical Treatment / Mekanik İşlem
<b>84FDH-102-20</b>			1 Pcs / Adet	FL1	-
			1 Pcs / Adet	FH	
			1 Pcs / Adet	FH	
<b>84FDH-211-18</b>			2 Pcs / Adet	SL = FL1 - 110	-
			2 Pcs / Adet	SH = FH - 63	
<b>84TH-103-18</b>			1 Pcs / Adet	FL2	-
			1 Pcs / Adet	FH	
			1 Pcs / Adet	FH	
<b>84FD-303-18</b>			1 Pcs / Adet	SL - 168	✓
			1 Pcs / Adet	FL2 - 2A	
<b>84TH-109-18</b>			1 Pcs / Adet	FL2 - 2A	✓
<b>08-217-00</b>			4 Pcs / Adet	CL1 = SL - 168	-
			2 Pcs / Adet	CH1 = Hm - 160	
			2 Pcs / Adet	CH2 = H - Hm - 207	
			4 Pcs / Adet	CL2 = FL2 - 2A	
			2 Pcs / Adet	CH3 = Hm - 183	
<b>84FD-503-00</b>			1 Pcs / Adet	SL - 75	-
<b>84FDH-401-18</b>			1 Pcs / Adet	FL1 - 173	-

**GASKETS / FİTİLLER**

Code / Kod	Picture / Resim	Quantity / Miktar
<b>EM84FD-01</b>		2SL + 2SH
<b>EM84FD-19</b>		2SL + 2SH
<b>EM3-09</b>		3SL + 4SH
<b>EM84-410</b>		1FL1
<b>0.RING-3 mm</b>		4FL1 + 4FL2 + 4FH - 1500
<b>EM2-11</b>		4FL1 + 4FL2 + 4FH - 1500
<b>EM1-25</b>		4FL1 + 4FL2 + 4FH - 1500
<b>EM84-11</b>		2FL1 + 4FL2 + 2FH

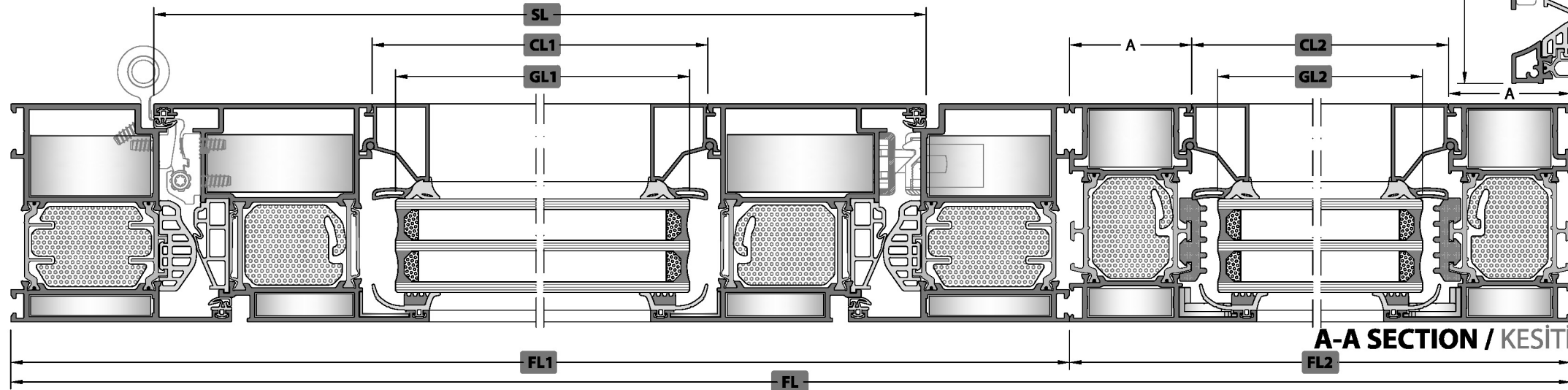
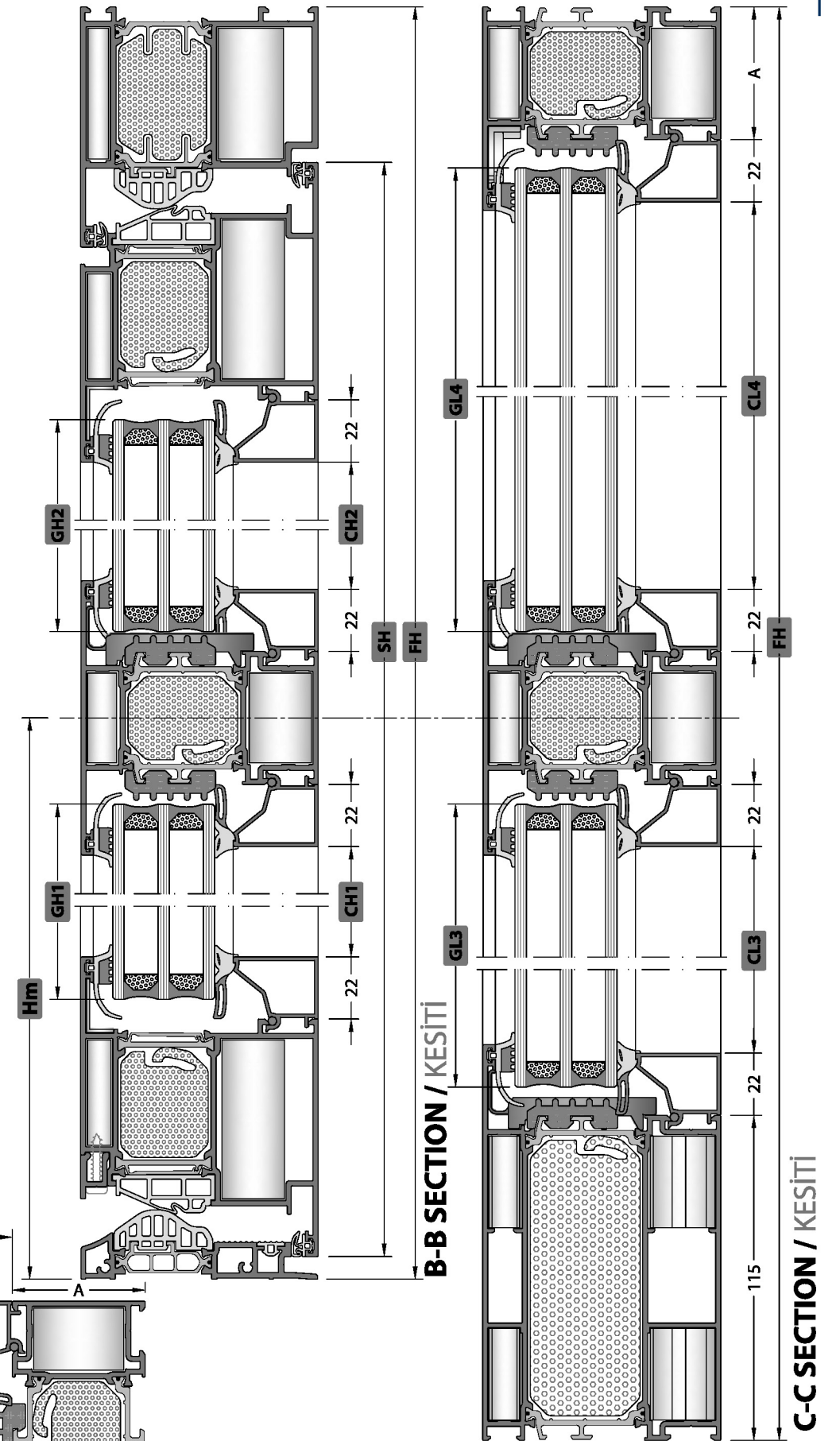
**CORNER JOINTS / KÖŞE BAĞLANTILAR**

Code / Kod	Quantity / Miktar	Picture / Resim
<b>CC-131-23.6</b>	2 Pcs / Adet	
<b>CC-131-07.9</b>	2 Pcs / Adet	
<b>CC-149-22.7</b>	4 Pcs / Adet	
<b>CC-108-09.0</b>	4 Pcs / Adet	
<b>CC-124-22.6</b> or / yada <b>KC-809-22.4</b>	2 Pcs / Adet	
<b>CC-124-11.0</b> or / yada <b>CPA-124-11.0</b>	2 Pcs / Adet	
<b>EM70-21</b>	2 Pcs / Adet	
<b>EM58-21</b>	4 Pcs / Adet	
<b>CA70T-911-32.4</b>	6 Pcs / Adet	
<b>CA70T-913-32.4</b>	8 Pcs / Adet	
<b>CA09-901-32.4</b>	2 Pcs / Adet	

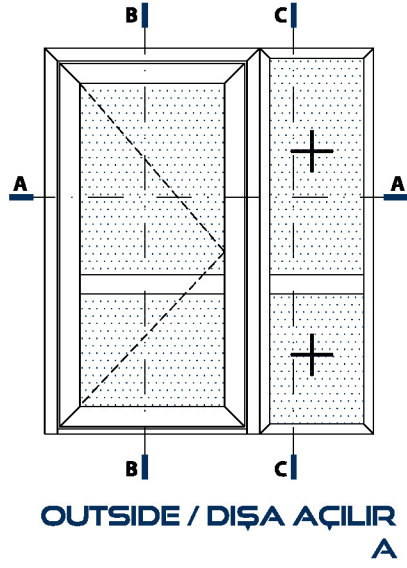
**CONSUMABLE MATERIALS / SARF MALZEMELER**

Code / Kod	Description / Açıklama	Quantity (pcs-m) / Miktar (Paket)	Picture / Resim
<b>EM84FD-401</b>	CAP / KAPAK	1 Set / Takım	
<b>EM84FD-C01</b>	ENJECTION CORNER / ENJEKSİYON KÖŞE	4 Piece / Adet	
<b>EM84T-G01</b>	FRAME GLASS WEDGE / KASA CAM TAKOZU	4 Piece / Adet	
<b>EM84FD-503</b>	DROPPER CAP / DAMLALIK KAPAGI	1 Set / Takım	

**CUTTING SIZE / KESİM ÖLÇÜLERİ**



**DOOR WITH GLASS  
CAMLI KAPI  
OUTWARD / DIŞA AÇILIR**



**GLASS / CAM**

Code / Kod	Drawing / Çizim	Quantity / Miktar	Dimensions (mm) / Boyutlar
Sash Glass / Kanat Cam		1 Pcs / Adet	GL1 = SL - 186 GH1 = HM - 134
		1 Pcs / Adet	GL1 = SL - 186 GH2 = H - HM - 181
Fixed Glass / Sabit Cam		1 Pcs / Adet	GL2 = FL2 - 2A - 20 GH3 = HM - 90
		1 Pcs / Adet	GL2 = FL2 - 2A - 20 GH4 = H - HM - 90

**PROFILES / PROFİLLER**

Code / Kod	Drawing / Çizim	Cut / Kesim	Quantity / Miktar	Dimensions (mm) / Boyutlar	Mechanical Treatment / Mekanik İşlem
84FDH-102-20			1 Pcs / Adet	FL1	-
			1 Pcs / Adet	FH	-
			1 Pcs / Adet	FH	-
84FDH-212-18			2 Pcs / Adet	SL = FL1 - 110	-
			2 Pcs / Adet	SH = FH - 63	-
84TH-103-18			2 Pcs / Adet	FL2	-
			2 Pcs / Adet	FH	-
84FD-303-18			1 Pcs / Adet	SL - 168	✓
			1 Pcs / Adet	FL2 - 2A	-
08-217-00			4 Pcs / Adet	CL1 = SL - 168	-
			2 Pcs / Adet	CH1 = Hm - 160	-
			2 Pcs / Adet	CH2 = H - Hm - 207	-
			4 Pcs / Adet	CL2 = FL2 - 2A	-
			2 Pcs / Adet	CH3 = Hm - 115	-
			2 Pcs / Adet	CH4 = H - Hm - 115	-
84FD-503-00			1 Pcs / Adet	SL - 75	-
84FDH-401-18			1 Pcs / Adet	FL1 - 173	-

**CORNER JOINTS / KÖŞE BAĞLANTILAR**

Code / Kod	Quantity / Miktar	Picture / Resim
CC-131-23.6	2 Pcs / Adet	
CC-131-07.9	2 Pcs / Adet	
CC-149-22.7	4 Pcs / Adet	
CC-108-09.0	4 Pcs / Adet	
CC-124-22.6 or / yada KC-809-22.4	4 Pcs / Adet	
CC-124-11.0 or / yada CPA-124-11.0	4 Pcs / Adet	
EM70-21	4 Pcs / Adet	
EM58-21	4 Pcs / Adet	
CA70T-911-32.4	2 Pcs / Adet	
CA70T-913-32.4	4 Pcs / Adet	
CA09-901-32.4	2 Pcs / Adet	

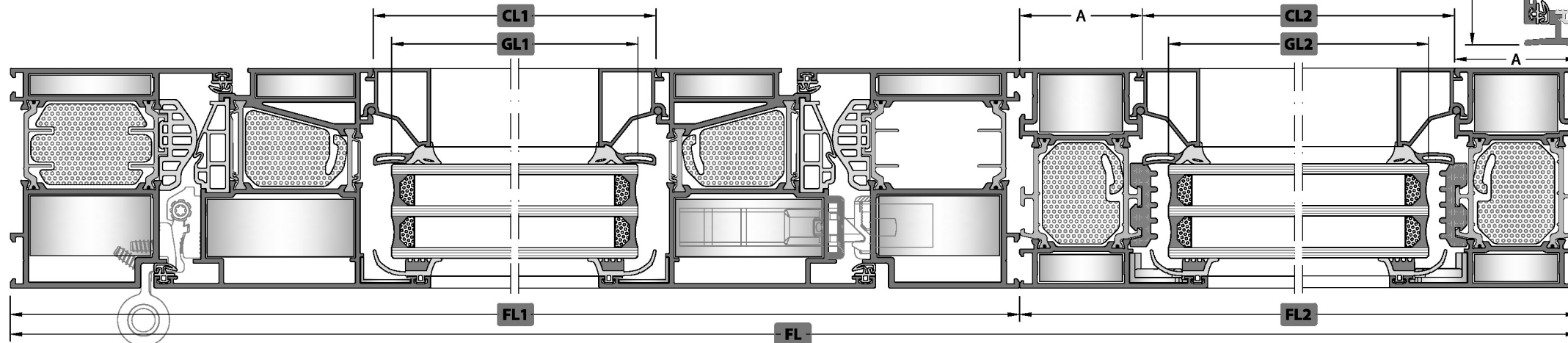
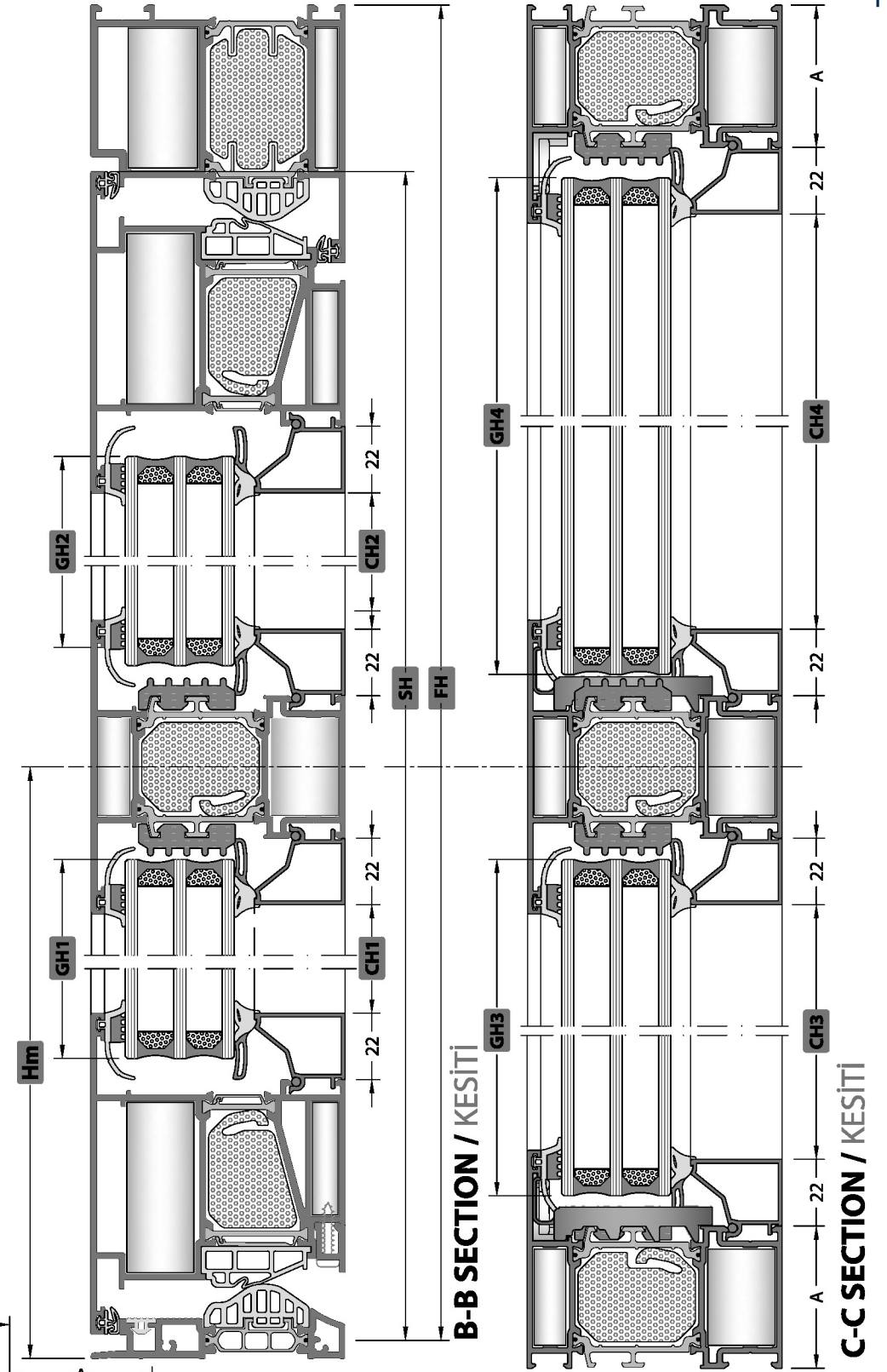
**GASKETS / FİTİLLER**

Code / Kod	Picture / Resim	Quantity / Miktar
EM84FD-01		2SL + 2SH
EM84FD-19		2SL + 2SH
EM3-09		3SL + 4SH
EM84-410		1FL1
O.RING-3 mm		4FL1 + 4FL2 + 4FH - 1500
EM2-11		4FL1 + 4FL2 + 4FH - 1500
EM1-25		4FL1 + 4FL2 + 4FH - 1500
EM84-11		2FL1 + 4FL2 + 2FH

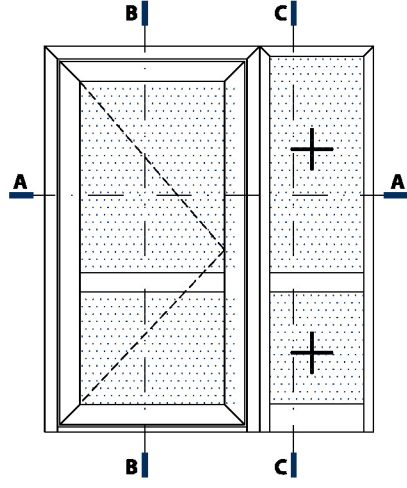
**CONSUMABLE MATERIALS / SARF MALZEMELER**

Code / Kod	Description / Açıklama	Quantity (pcs-m) / Miktar (Paket)	Picture / Resim
EM84FD-401	CAP / KAPAK	1 Set / Takım	
EM84FD-C01	ENECTION CORNER / ENJEKSİYON KÖŞE	4 Piece / Adet	
EM84T-G01	FRAME GLASS WEDGE / KASA CAM TAKOZU	4 Piece / Adet	
EM84FD-503	DROPPER CAP / DAMLALIK KAPAGI	1 Set / Takım	

**CUTTING SIZE / KESİM ÖLÇÜLERİ**



**DOOR WITH GLASS  
CAMLI KAPI  
OUTWARD / DIŞA AÇILIR**



**OPTION / OPSİYON  
3B**

**GLASS / CAM**

Code / Kod	Drawing / Çizim	Quantity / Miktar	Dimensions (mm) / Boyutlar
Sash Glass / Kanat Cam		1 Pcs / Adet	GL1 = SL - 186 GH1 = HM - 134
		1 Pcs / Adet	GL1 = SL - 186 GH2 = H - HM - 181
Fixed Glass / Sabit Cam		1 Pcs / Adet	GL2 = FL2 - 2A - 20 GH3 = HM - 158
		1 Pcs / Adet	GL2 = FL2 - 2A - 20 GH4 = H - HM - 90

**PROFILES / PROFİLLER**

Code / Kod	Drawing / Çizim	Cut / Kesim	Quantity / Miktar	Dimensions (mm) / Boyutlar	Mechanical Treatment / Mekanik İşlem
84FDH-102-20			1 Pcs / Adet	FL1	-
			1 Pcs / Adet	FH	
			1 Pcs / Adet	FH	
84FDH-212-18			2 Pcs / Adet	SL = FL1 - 110	-
			2 Pcs / Adet	SH = FH - 63	
84TH-103-18			1 Pcs / Adet	FL2	-
			1 Pcs / Adet	FH	
			1 Pcs / Adet	FH	
84FD-303-18			1 Pcs / Adet	SL - 168	✓
			1 Pcs / Adet	FL2 - 2A	
84TH-109-18			1 Pcs / Adet	FL2 - 2A	✓
08-217-00			4 Pcs / Adet	CL1 = SL - 168	-
			2 Pcs / Adet	CH1 = Hm - 160	
			2 Pcs / Adet	CH2 = H - Hm - 207	
			4 Pcs / Adet	CL2 = FL2 - 2A	
			2 Pcs / Adet	CH3 = Hm - 183	
84FD-503-00			1 Pcs / Adet	SL - 75	-
84FDH-401-18			1 Pcs / Adet	FL1 - 173	-

**GASKETS / FİTİLLER**

Code / Kod	Picture / Resim	Quantity / Miktar
EM84FD-01		2SL + 2SH
EM84FD-19		2SL + 2SH
EM3-09		3SL + 4SH
EM84-410		1FL1
O.RING-3 mm		4FL1 + 4FL2 + 4FH - 1500
EM2-11		4FL1 + 4FL2 + 4FH - 1500
EM1-25		4FL1 + 4FL2 + 4FH - 1500
EM84-11		2FL1 + 4FL2 + 2FH

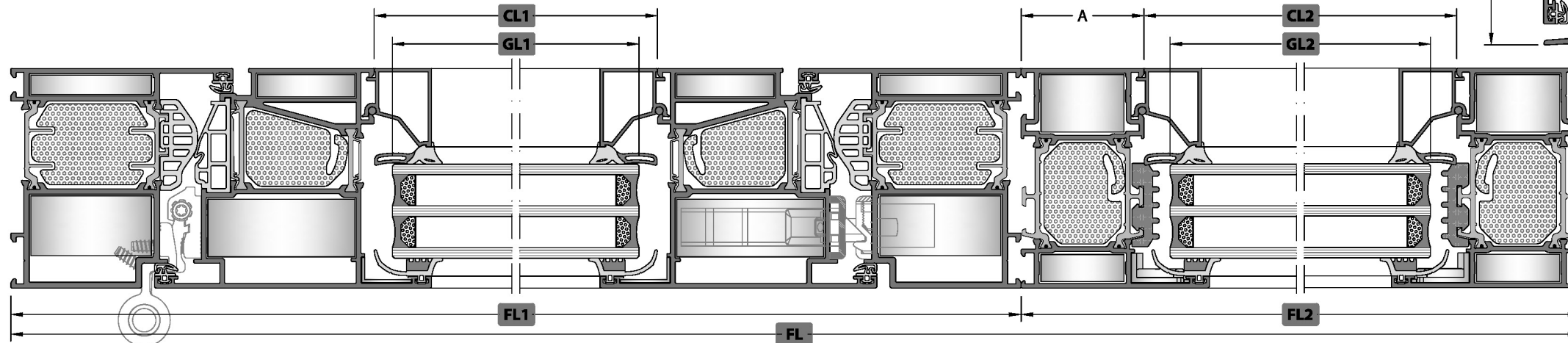
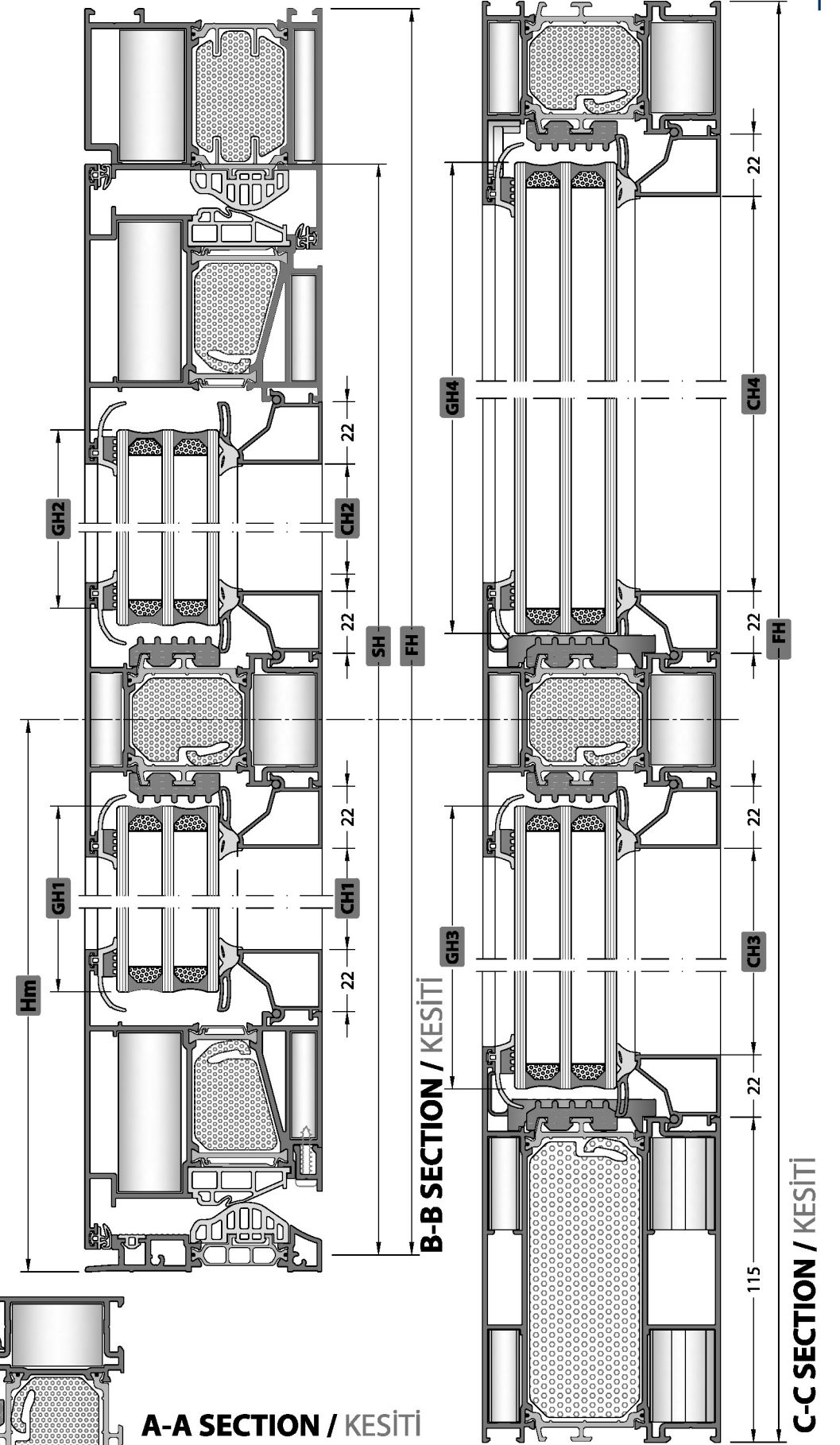
**CORNER JOINTS / KÖŞE BAĞLANTILAR**

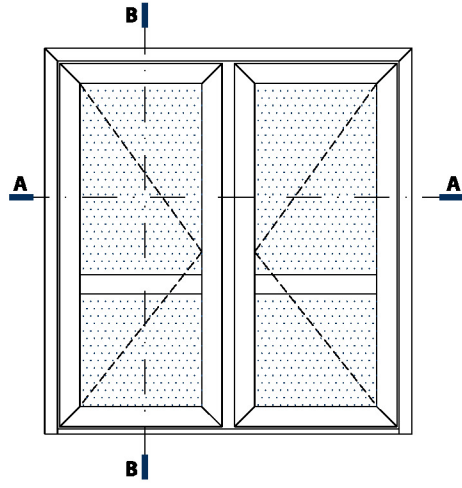
Code / Kod	Quantity / Miktar	Picture / Resim
CC-131-23.6	2 Pcs / Adet	
CC-131-07.9	2 Pcs / Adet	
CC-149-22.7	4 Pcs / Adet	
CC-108-09.0	4 Pcs / Adet	
CC-124-22.6 or / yada KC-809-22.4	2 Pcs / Adet	
CC-124-11.0 or / yada CPA-124-11.0	2 Pcs / Adet	
EM70-21	2 Pcs / Adet	
EM58-21	4 Pcs / Adet	
CA70T-911-32.4	6 Pcs / Adet	
CA70T-913-32.4	8 Pcs / Adet	
CA09-901-32.4	2 Pcs / Adet	

**CONSUMABLE MATERIALS / SARF MALZEMELER**

Code / Kod	Description / Açıklama	Quantity (pcs-m) / Miktar (Paket)	Picture / Resim
EM84FD-401	CAP / KAPAK	1 Set / Takım	
EM84FD-C01	ENJECTION CORNER / ENJEKSİYON KÖŞE	4 Piece / Adet	
EM84T-G01	FRAME GLASS WEDGE / KASA CAM TAKOZU	4 Piece / Adet	
EM84FD-503	DROPPER CAP / DAMLALIK KAPAĞI	1 Set / Takım	

**CUTTING SIZE / KESİM ÖLÇÜLERİ**





**GLASS / CAM**

Code / Kod	Drawing / Çizim	Quantity / Miktar	Dimensions (mm) / Boyutlar
Glass / Cam		2 Pcs / Adet	GL1 = SL - 184 GH1 = HM - 131.5
		2 Pcs / Adet	GL1 = SL - 184 GH2 = SH - HM - 115.5

**PROFILES / PROFİLLER**

Code / Kod	Drawing / Çizim	Cut / Kesim	Quantity / Miktar	Dimensions (mm) / Boyutlar	Mechanical Treatment / Mekanik İşlem
84FDH-102-20			1 Pcs / Adet	FL	-
			1 Pcs / Adet	FH	
			1 Pcs / Adet	FH	
84FDH-211-18			4 Pcs / Adet	SL = (FL - 115) / 2	-
			4 Pcs / Adet	SH = FH - 63	
84FDH-501-00			1 Pcs / Adet	SH - 45	✓
84TH-303-18			2 Pcs / Adet	SL - 168	✓
08-217-00			8 Pcs / Adet	CL1 = SL - 168	-
			4 Pcs / Adet	CH1 = HM - 159.5	
			4 Pcs / Adet	CH2 = SH - HM - 143.5	
84FD-503-00			2 Pcs / Adet	SL - 75	-
84FDH-401-18			1 Pcs / Adet	FL1 - 173	-

**CORNER JOINTS / KÖŞE BAĞLANTILAR**

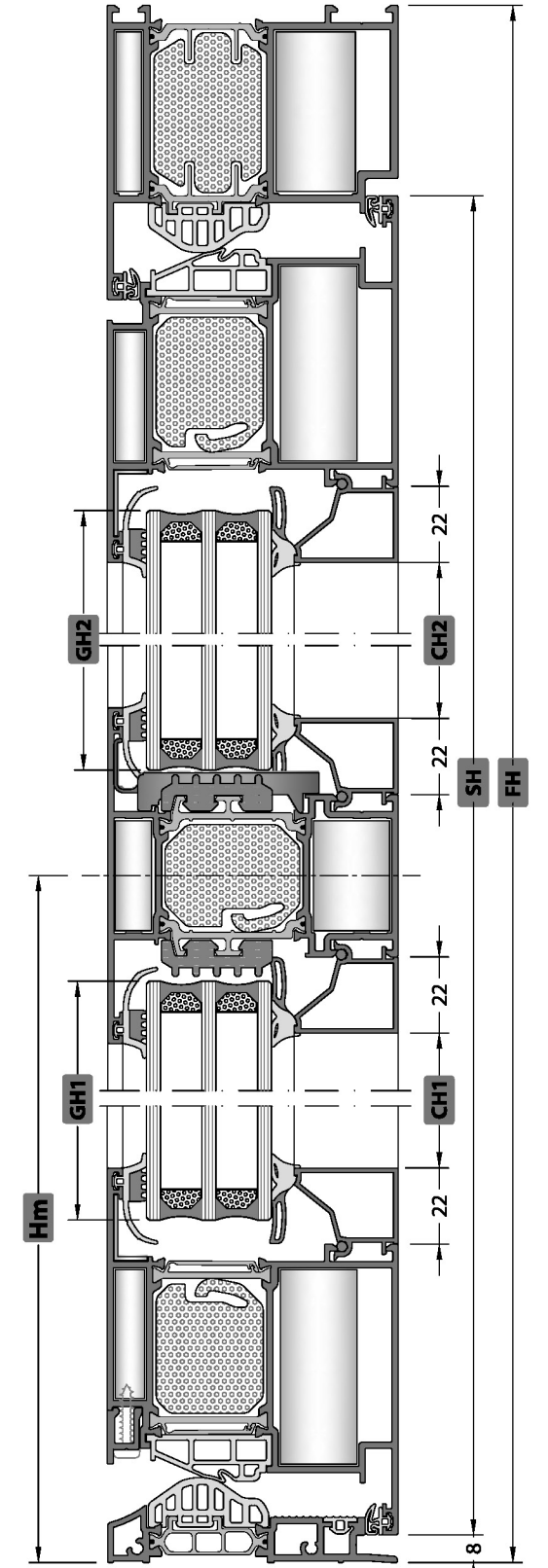
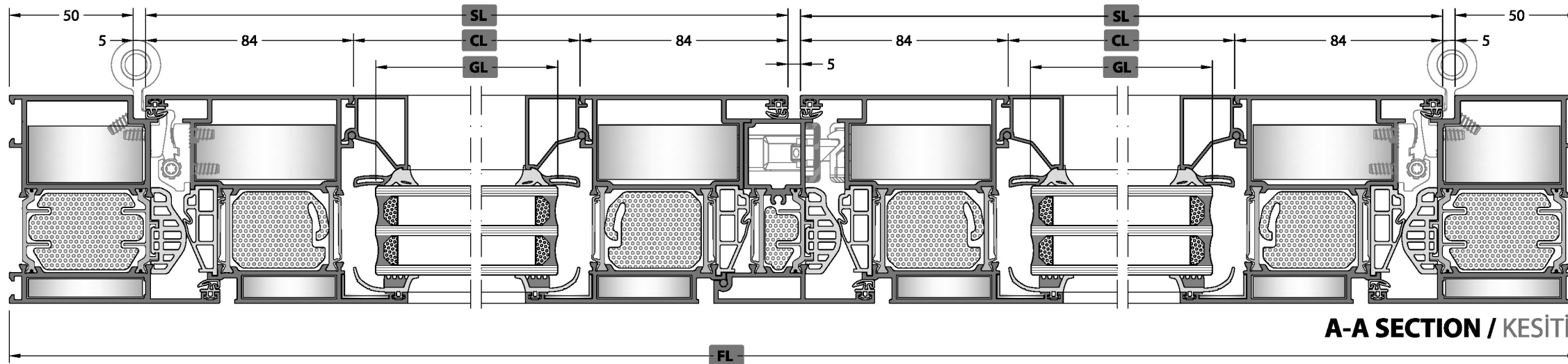
Code / Kod	Quantity / Miktar	Picture / Resim
CC-131-23.6	2 Pcs / Adet	
CC-131-07.9	2 Pcs / Adet	
CC-149-22.7	8 Pcs / Adet	
CC-108-09.0	8 Pcs / Adet	
EM58-21	8 Pcs / Adet	
CA09-901-32.4	4 Pcs / Adet	
CA70T-913-32.4	4 Pcs / Adet	

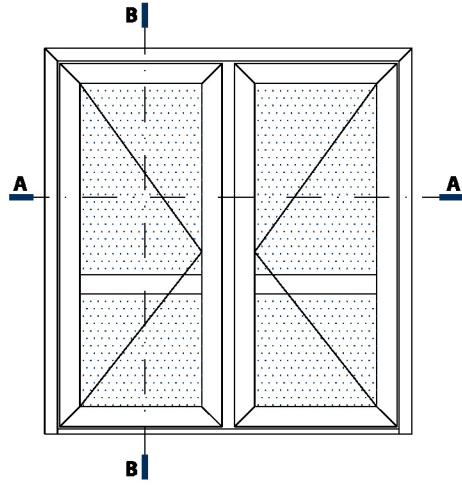
**GASKETS / FİTİLLER**

Code / Kod	Picture / Resim	Quantity / Miktar
EM84FD-01		2SL + 4SH
EM84FD-19		2SL + 3SH
EM3-09		6SL + 7SH
EM84-410		1FL
O.RING-3 mm		8SL + 5FH - 1500
EM2-11		8SL + 4SH - 1500
EM1-25		8SL + 4SH - 1500
EM84-11		4CL

**CONSUMABLE MATERIALS / SARF MALZEMELER**

Code / Kod	Description / Açıklama	Quantity (pcs-m) / Miktar (Paket)	Picture / Resim
EM84FD-401	CAP / KAPAK	1 Set / Takım	
EM84FD-501 A-B	ADAPTER CAP / ADAPTÖR KAPAĞI	1 Set / Takım	
EM84FD-501 C-D	ADAPTER CAP / ADAPTÖR KAPAĞI	1 Set / Takım	
EM84FD-C01	ENJECTION CORNER / ENJEKSİYON KÖŞE	6 Piece / Adet	
EM84FD-C02	ENJECTION CORNER / ENJEKSİYON KÖŞE	1 Set / Takım	
EM84FD-503	DROPPER CAP / DAMLALIK KAPAĞI	2 Set / Takım	





**GLASS / CAM**

Code / Kod	Drawing / Çizim	Quantity / Miktar	Dimensions (mm) / Boyutlar
Glass / Cam		2 Pcs / Adet	GL1 = SL - 184 GH1 = HM - 131.5
		2 Pcs / Adet	GL1 = SL - 184 GH2 = SH - HM - 115.5

**PROFILES / PROFİLLER**

Code / Kod	Drawing / Çizim	Cut / Kesim	Quantity / Miktar	Dimensions (mm) / Boyutlar	Mechanical Treatment / Mekanik İşlem
84FDH-102-20			1 Pcs / Adet	FL	-
			1 Pcs / Adet	FH	
			1 Pcs / Adet	FH	
84FDH-212-18			4 Pcs / Adet	SL = (FL - 115) / 2	-
			4 Pcs / Adet	SH = FH - 63	
84FDH-501-00			1 Pcs / Adet	SH - 45	✓
84TH-303-18			2 Pcs / Adet	SL - 168	✓
08-217-00			8 Pcs / Adet	CL1 = SL - 168	-
			4 Pcs / Adet	CH1 = HM - 159.5	
			4 Pcs / Adet	CH2 = SH - HM - 143.5	
84FD-503-00			2 Pcs / Adet	SL - 75	-
84FDH-401-18			1 Pcs / Adet	FL1 - 173	-

**CORNER JOINTS / KÖŞE BAĞLANTILAR**

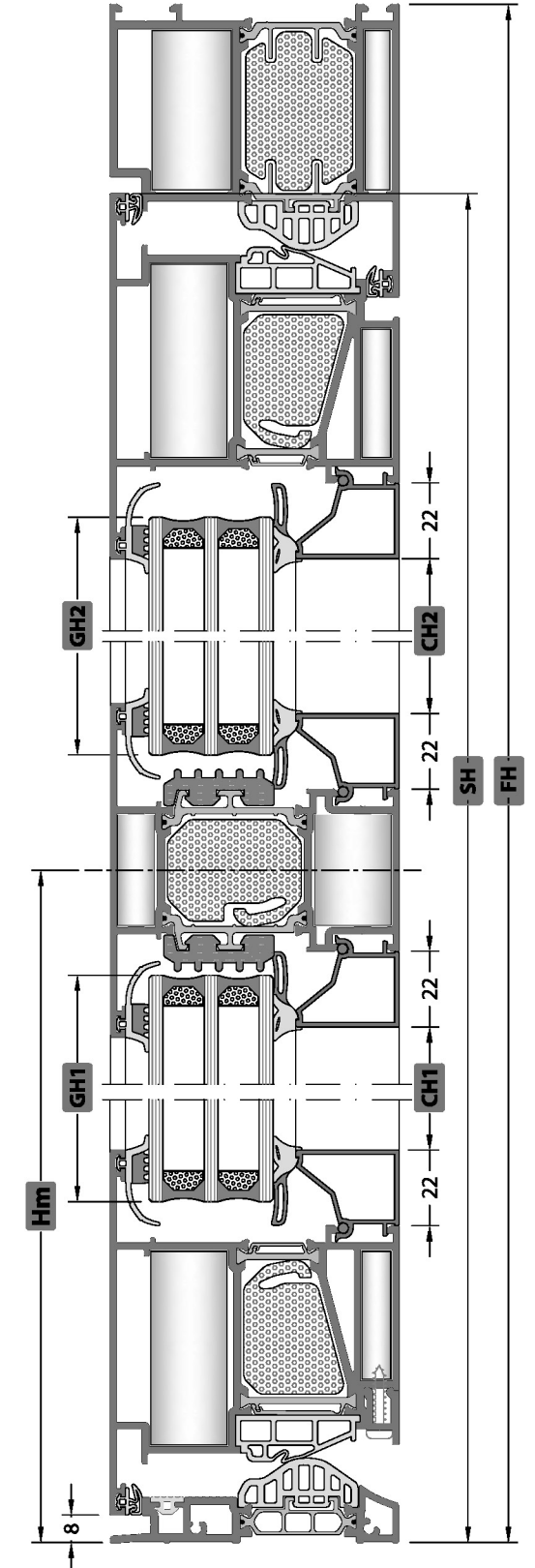
Code / Kod	Quantity / Miktar	Picture / Resim
CC-131-23.6	2 Pcs / Adet	
CC-131-07.9	2 Pcs / Adet	
CC-149-22.7	8 Pcs / Adet	
CC-108-09.0	8 Pcs / Adet	
EM58-21	8 Pcs / Adet	
CA09-901-32.4	4 Pcs / Adet	
CA70T-913-32.4	4 Pcs / Adet	

**GASKETS / FİTİLLER**

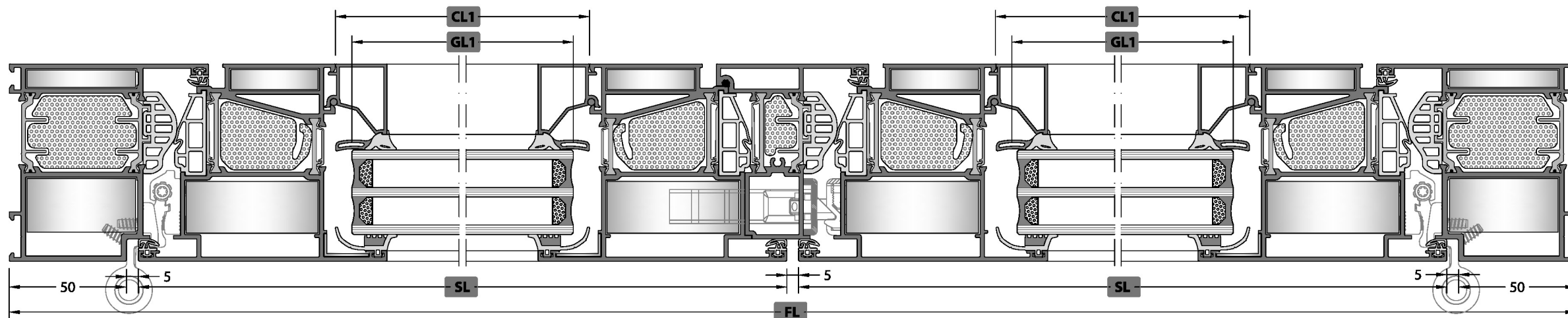
Code / Kod	Picture / Resim	Quantity / Miktar
EM84FD-01		2SL + 4SH
EM84FD-19		2SL + 3SH
EM3-09		6SL + 7SH
EM84-410		1FL
O.RING-3 mm		8SL + 5FH - 1500
EM2-11		8SL + 4SH - 1500
EM1-25		8SL + 4SH - 1500
EM84-11		4CL

**CONSUMABLE MATERIALS / SARF MALZEMELER**

Code / Kod	Description / Açıklama	Quantity (pcs-m) / Miktar (Paket)	Picture / Resim
EM84FD-401	CAP / KAPAK	1 Set / Takım	
EM84FD-501 A-B	ADAPTER CAP / ADAPTÖR KAPAĞI	1 Set / Takım	
EM84FD-501 C-D	ADAPTER CAP / ADAPTÖR KAPAĞI	1 Set / Takım	
EM84FD-C01	ENJECTION CORNER / ENJEKSİYON KÖŞE	6 Piece / Adet	
EM84FD-C02	ENJECTION CORNER / ENJEKSİYON KÖŞE	1 Set / Takım	
EM84FD-503	DROPPER CAP / DAMLALIK KAPAĞI	2 Set / Takım	



**B-B SECTION / KESİTİ**

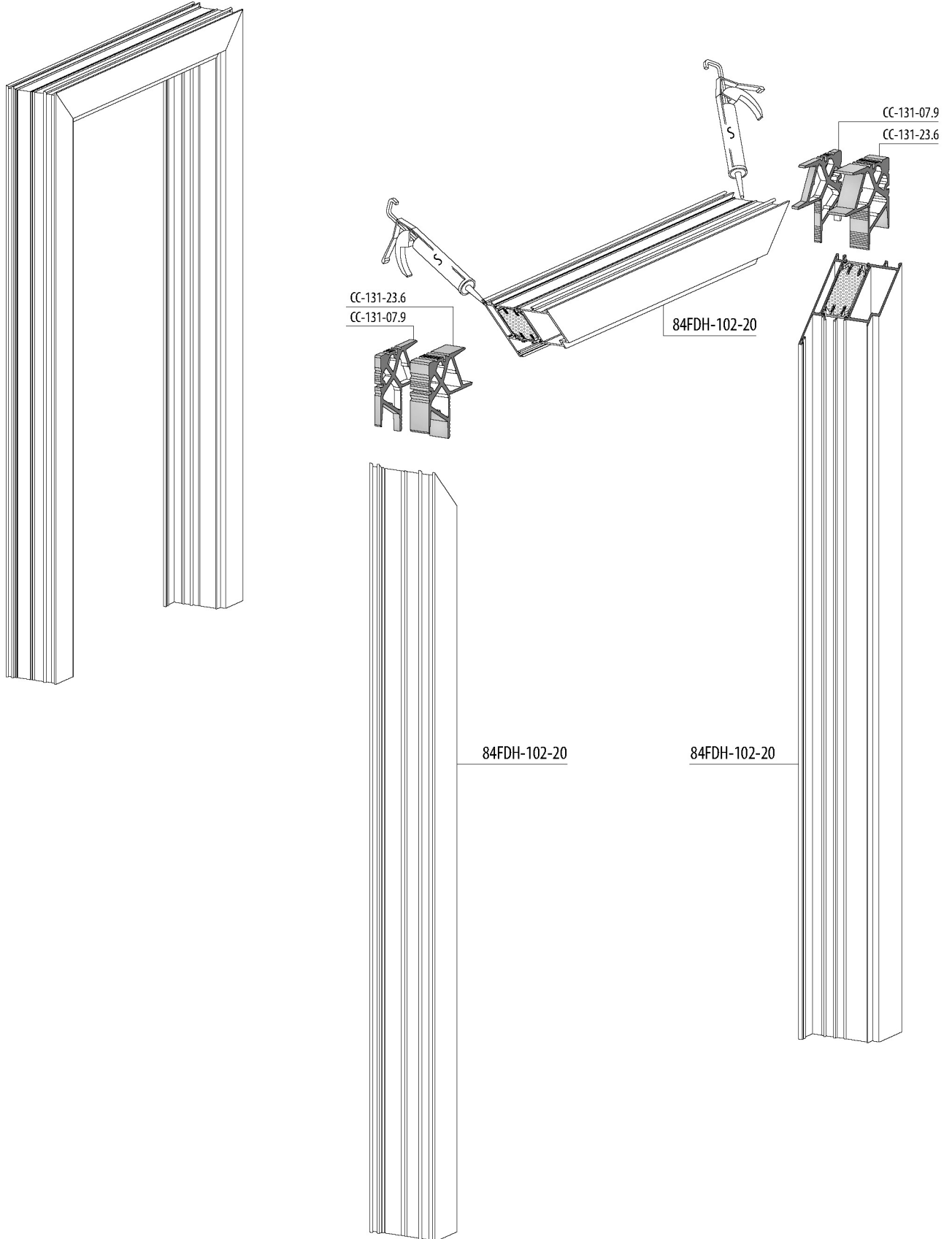


**A-A SECTION / KESİTİ**

ASSEMBLY DETAILS  
MONTAJ DETAYLARI

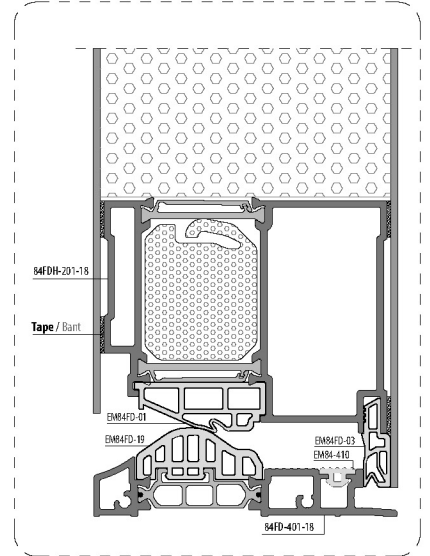
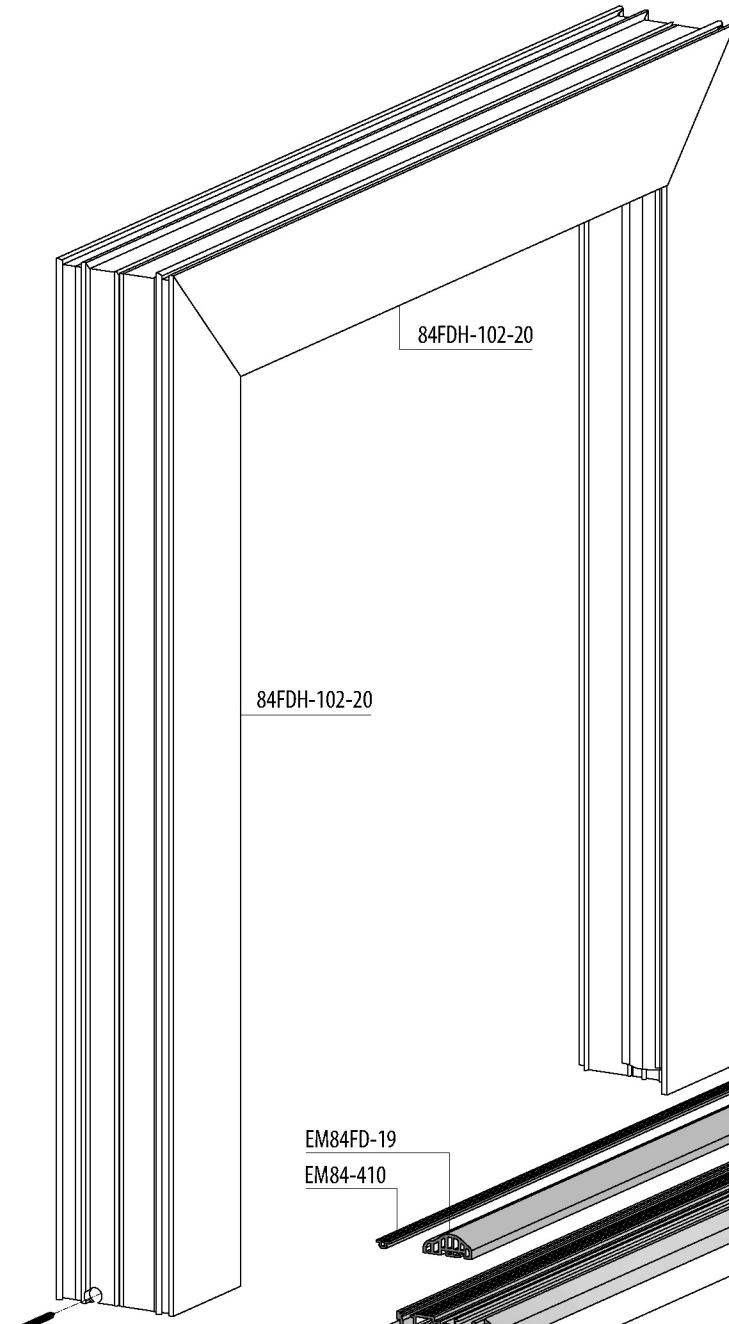
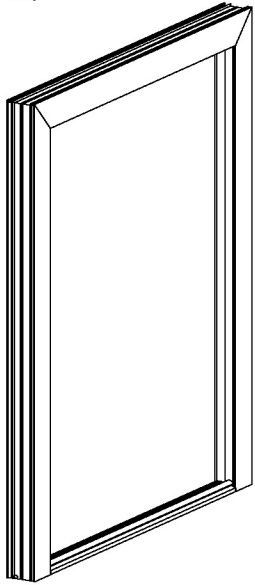
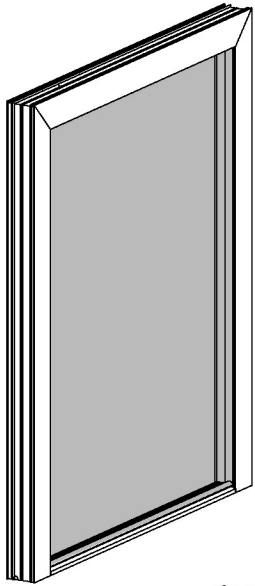
**FRAME ASSEMBLY / KASA UYGULAMA**

**84FDH-102-20**



**S = SILICONE / SİLİKON**  
**ES = EPDM BOND / EPDM YAPIŞTICI**  
**BS = BOND AND SEAL / YAPIŞTIRICI VE SIZDIRMAZ**

**TRASHHOLD ASSEMBLY / EŞİK MONTAJI**



YSB 3.9x45  
DIN 7981

EM84FD-19  
EM84-410

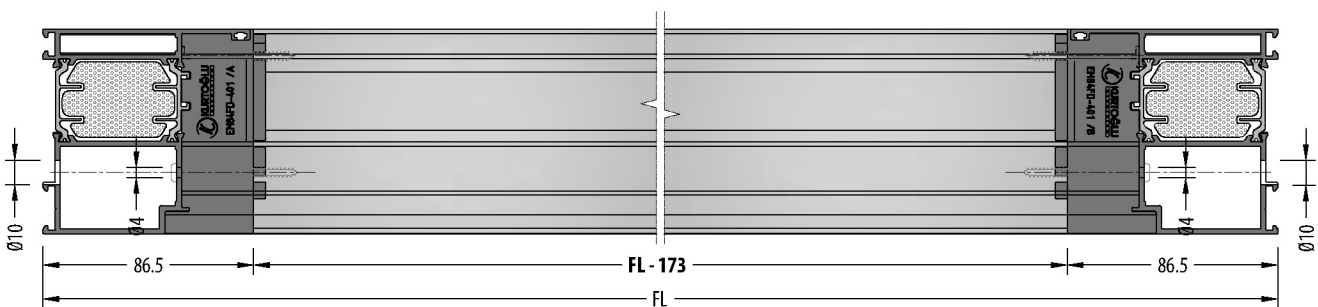
YHB 3.9x50  
DIN 7982

YSB 3.9x45  
DIN 7981

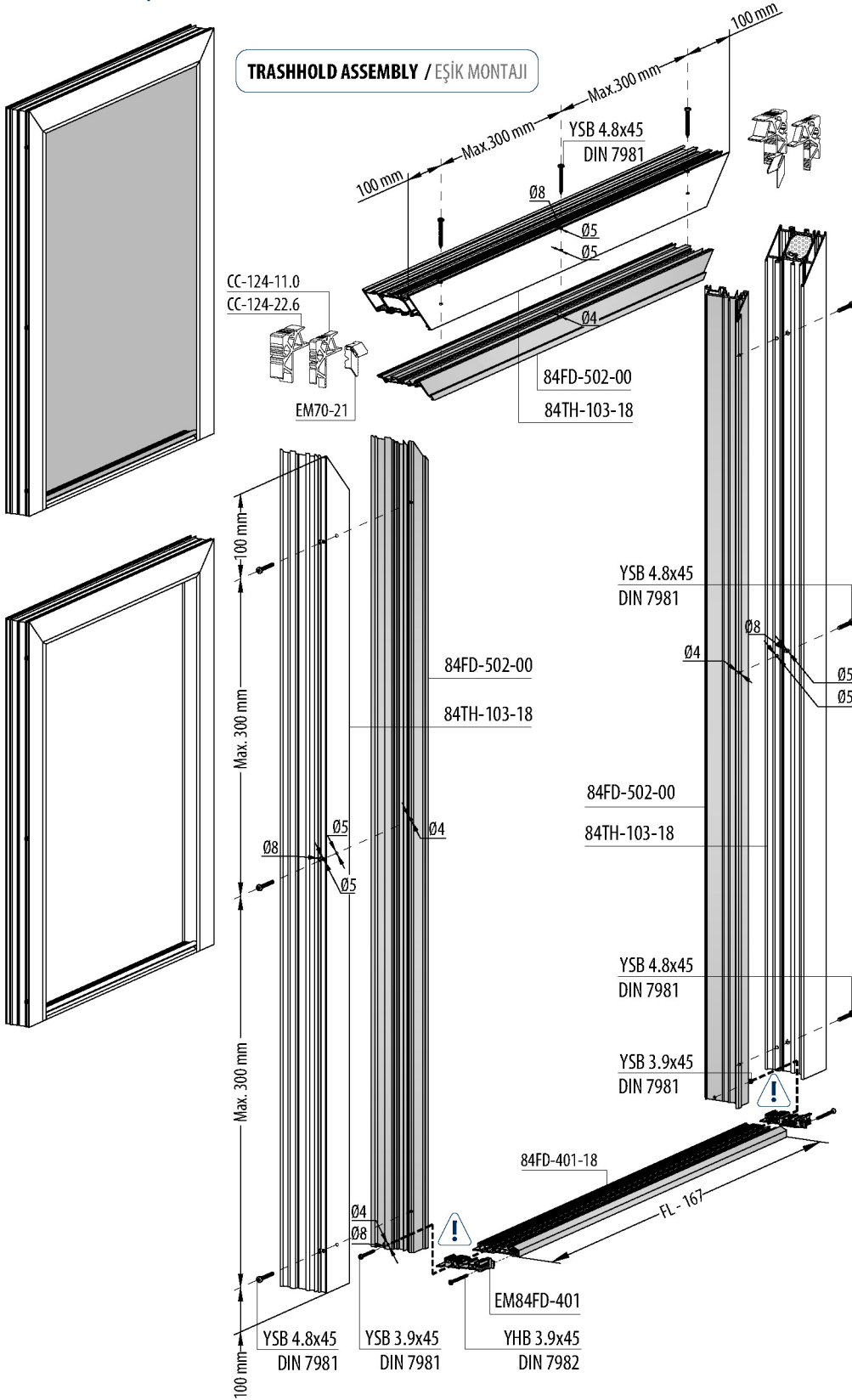
YHB 3.9x50  
DIN 7982  
EM84FD-401

FL - 173

84FD-401-18



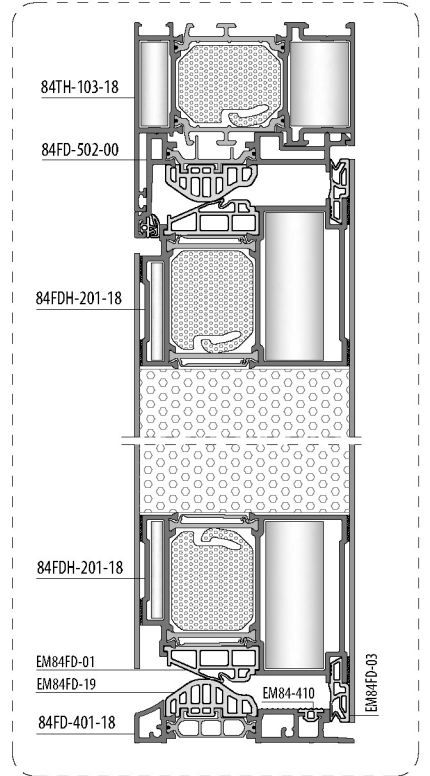
**TRASHHOLD ASSEMBLY / EŞİK MONTAJI**



**ADAPTER CAP  
ADAPTER KAPAĞI**

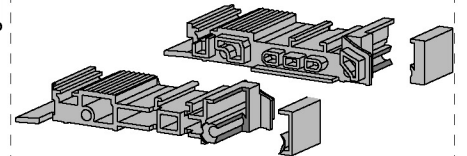


**EM84FD-401**



**SHOULD NOTCH / KERTMEK GEREKLİ**

**EM84FD-401**

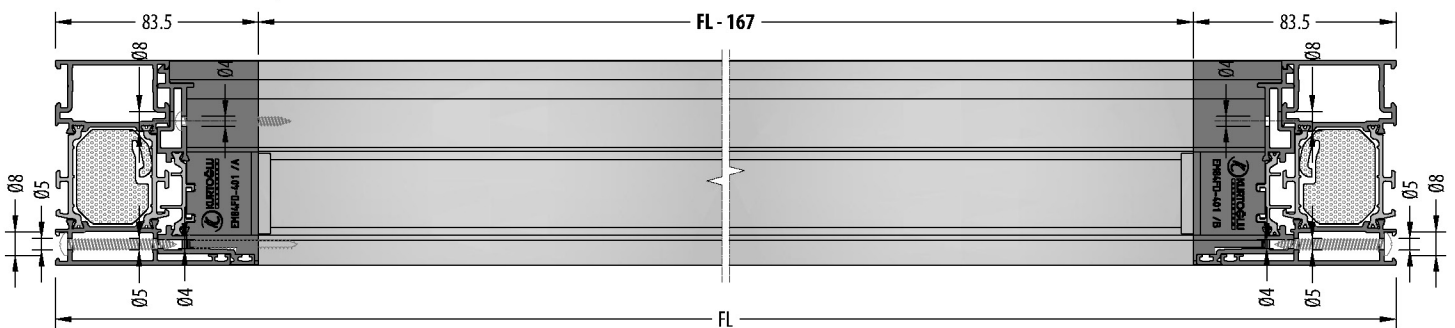
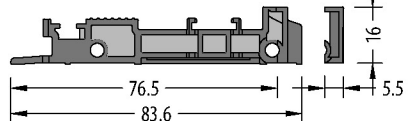


**Attention**

Dikkat !...



**CUT THIS PART.  
BU BÖLÜMÜ KES**

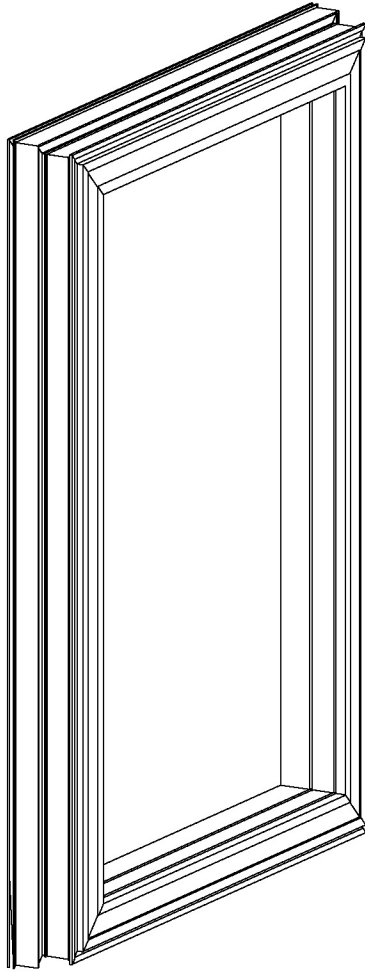


FRAME ASSEMBLY / KASA UYGULAMA

84FDH-201-18

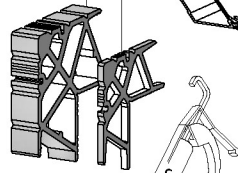
CC-108-05.0

CC-149-22.7

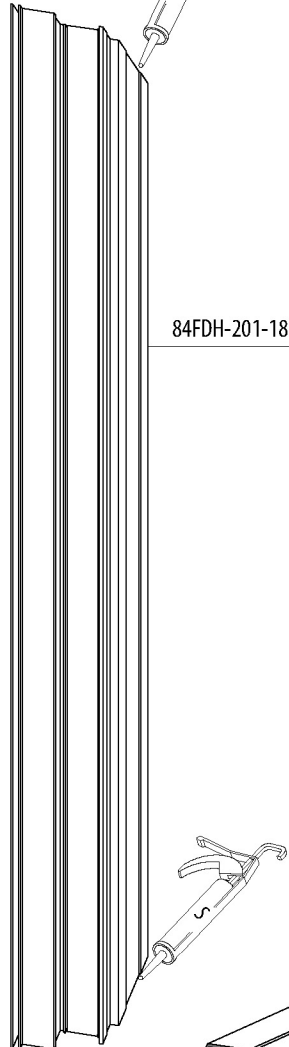
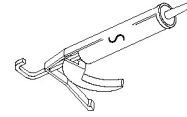


CC-108-05.0

CC-149-22.7

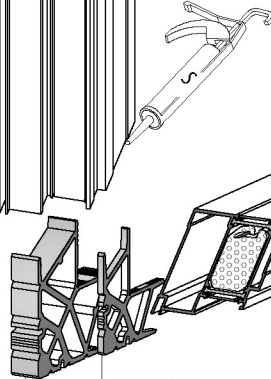
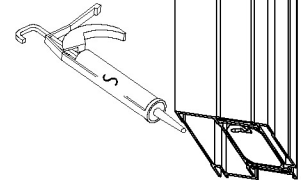


84FDH-201-18



84FDH-201-18

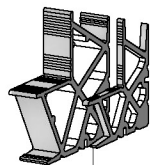
84FDH-201-18



CC-108-05.0

CC-149-22.7

84FDH-201-18



CC-108-05.0

CC-149-22.7

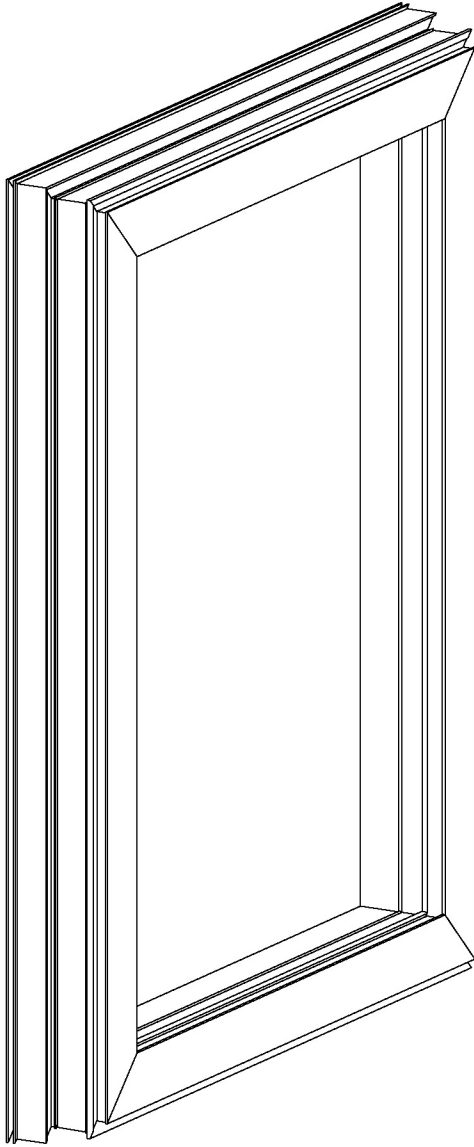
S = SILICONE / SİLİKON  
ES = EPDM BOND / EPDM YAPIŞTICI  
BS = BOND AND SEAL / YAPIŞTIRICI VE SIZDIRMAZ



**FRAME ASSEMBLY / KASA UYGULAMA**

**84FDH-222-18**

CC-108-09.0  
CC-149-22.7



CC-108-09.0  
CC-149-22.7

84FDH-222-18

84FDH-222-18

84FDH-222-18

CC-108-09.0  
CC-149-22.7

84FDH-222-18

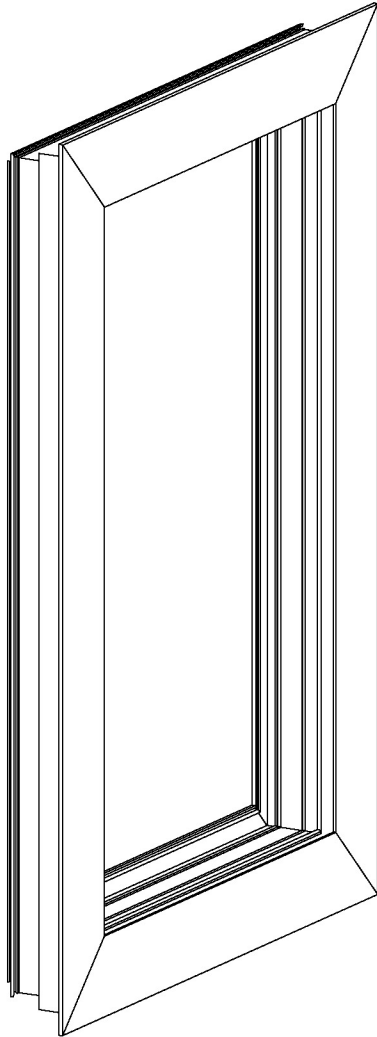
CC-108-09.0  
CC-149-22.7

**S** = SILICONE / SİLİKON  
**ES** = EPDM BOND / EPDM YAPIŐTICI  
**BS** = BOND AND SEAL / YAPIŐTIRICI VE SIZDIRMAZ

FRAME ASSEMBLY / KASA UYGULAMA

84FDH-211-18

CC-149-22.7  
CC-108-09.0



CC-149-22.7  
CC-108-09.0

84FDH-211-18

84FDH-211-18

84FDH-211-18

CC-108-09.0  
CC-149-22.7

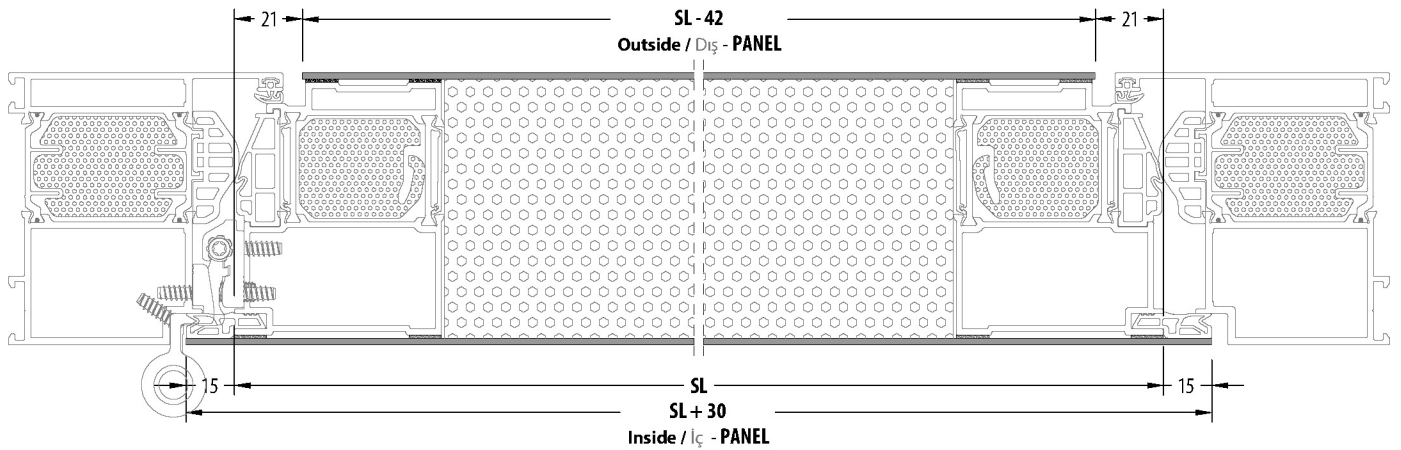
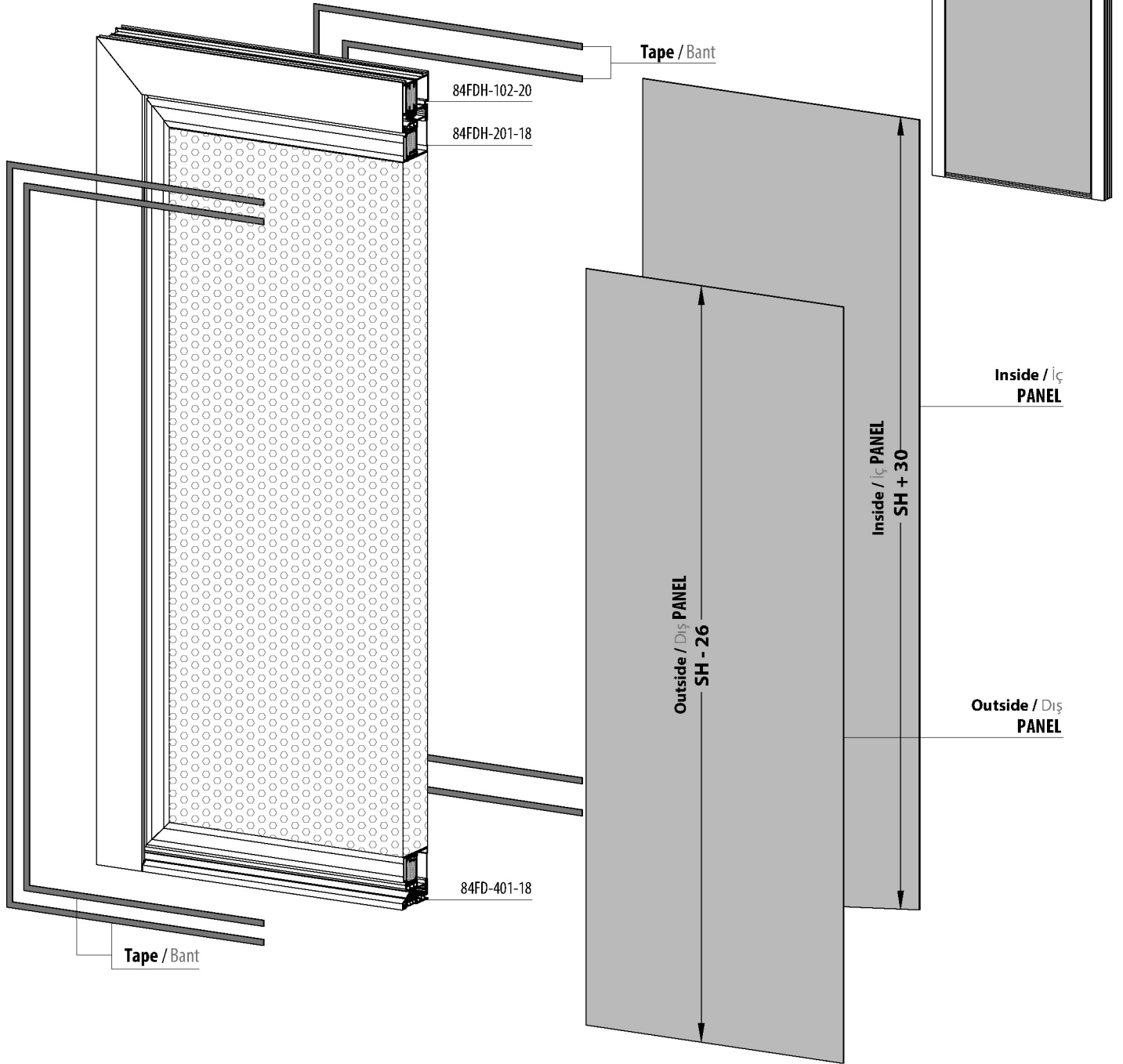
84FDH-211-18

CC-108-09.0  
CC-149-22.7

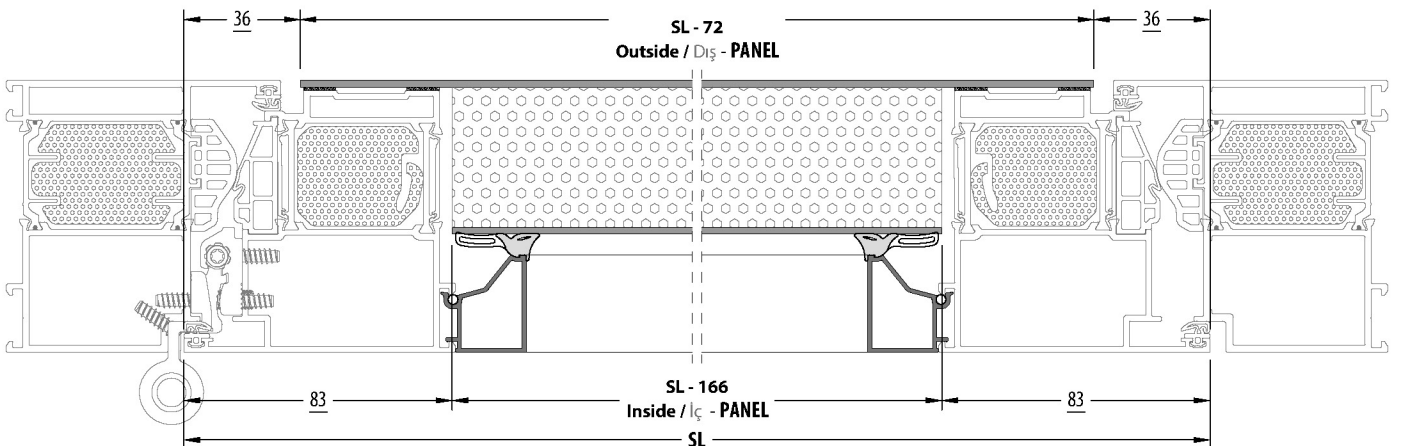
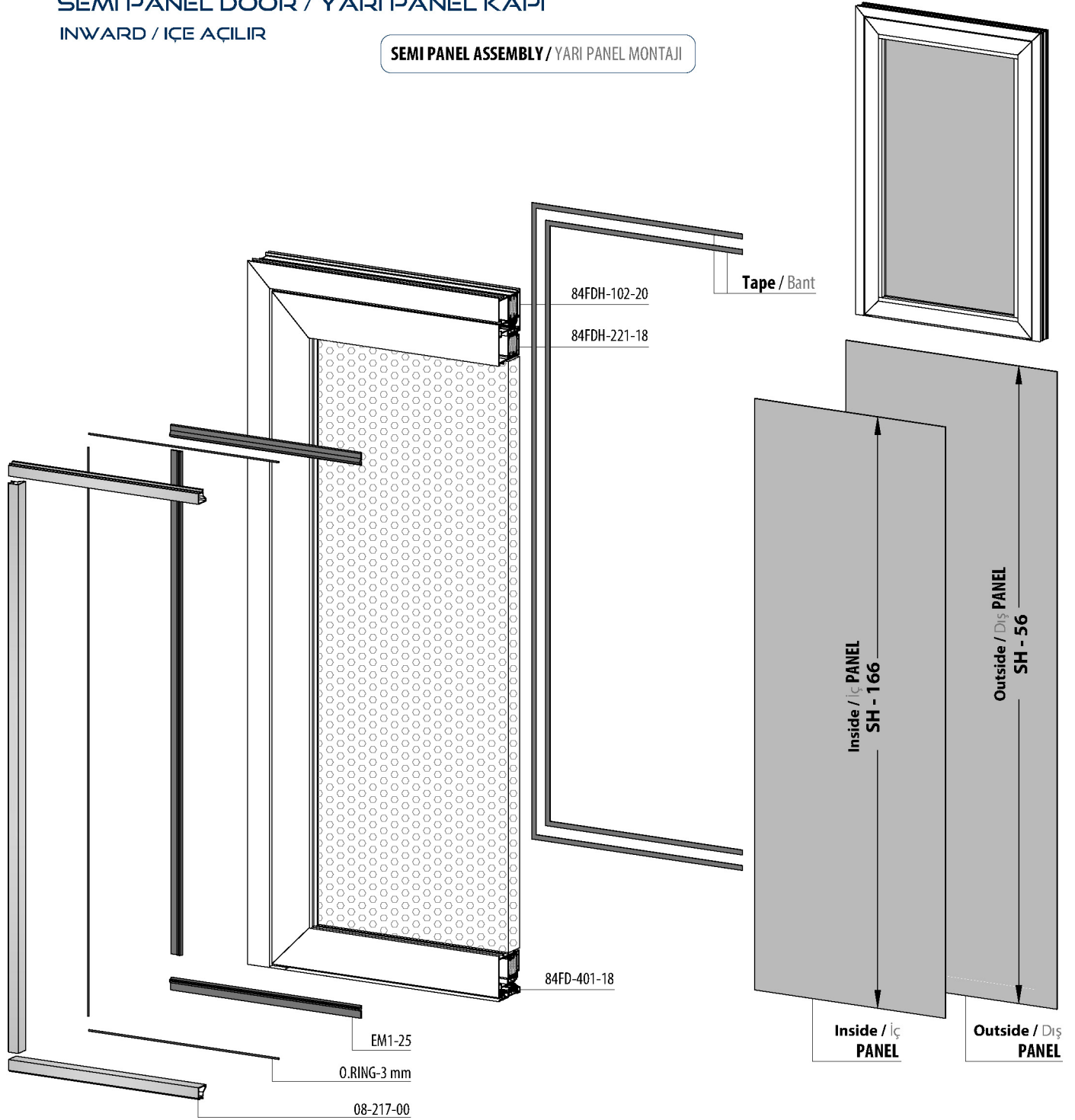
S = SILICONE / SİLİKON  
ES = EPDM BOND / EPDM YAPIŞTICI  
BS = BOND AND SEAL / YAPIŞTIRICI VE SIZDIRMAZ



PANEL ASSEMBLY / PANEL MONTAJI

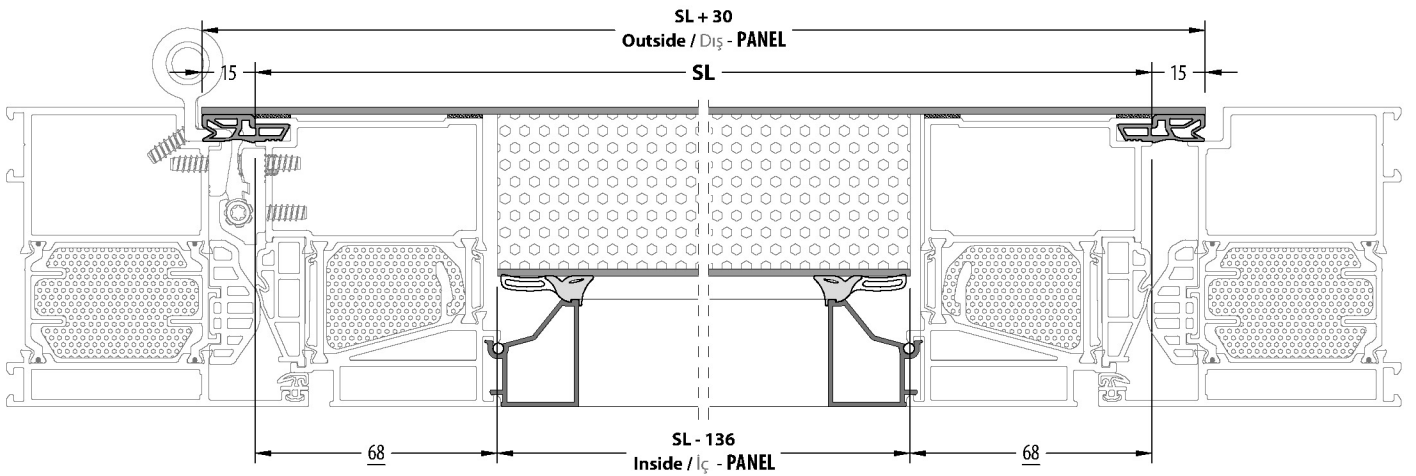
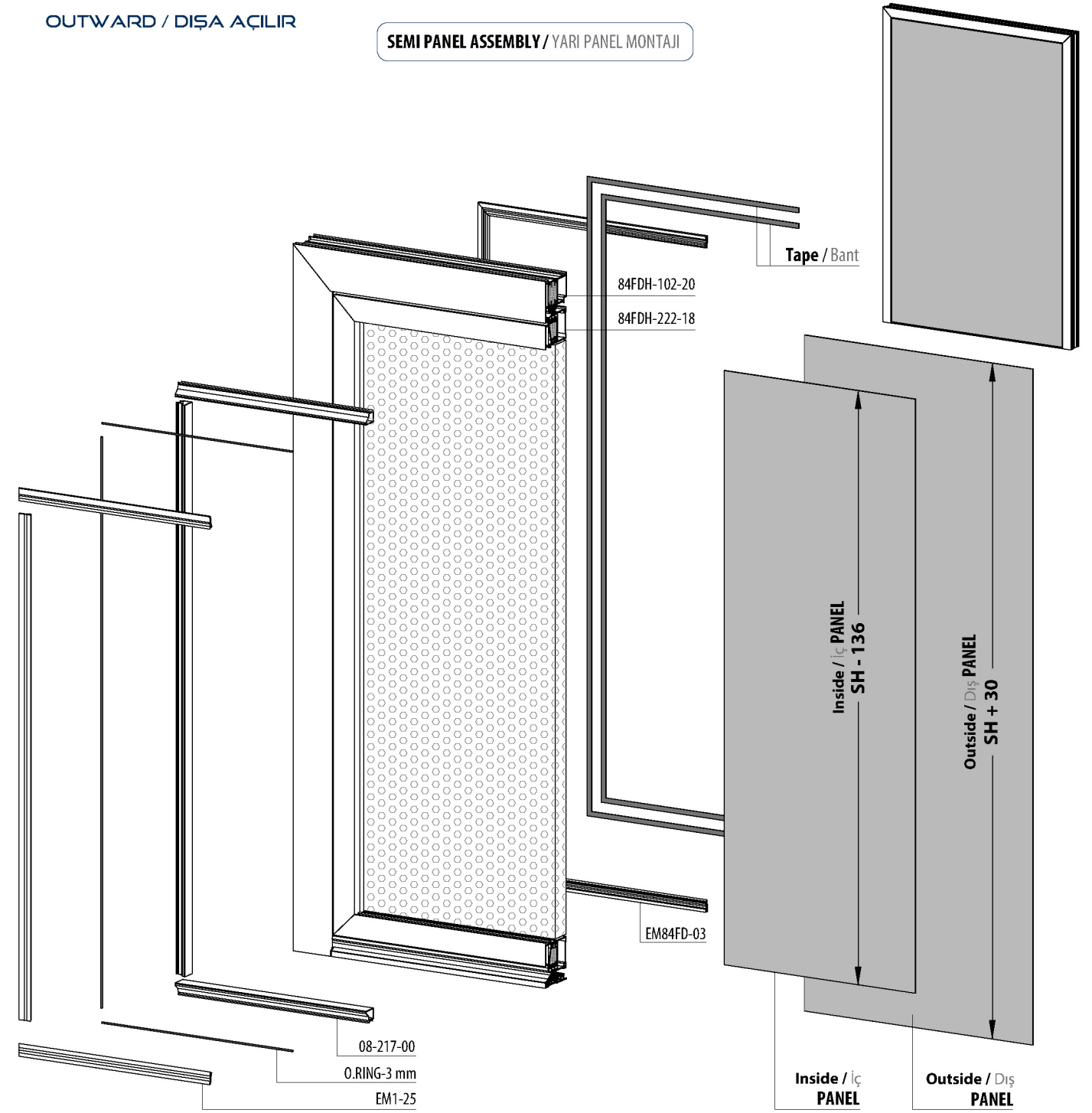


**SEMI PANEL ASSEMBLY / YARI PANEL MONTAJI**




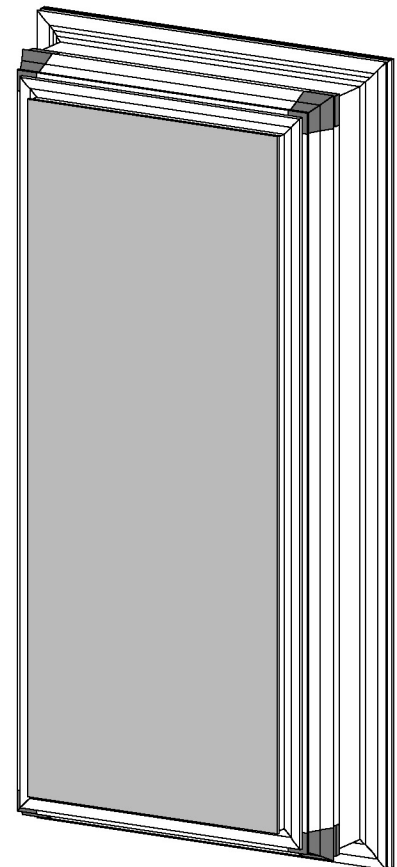
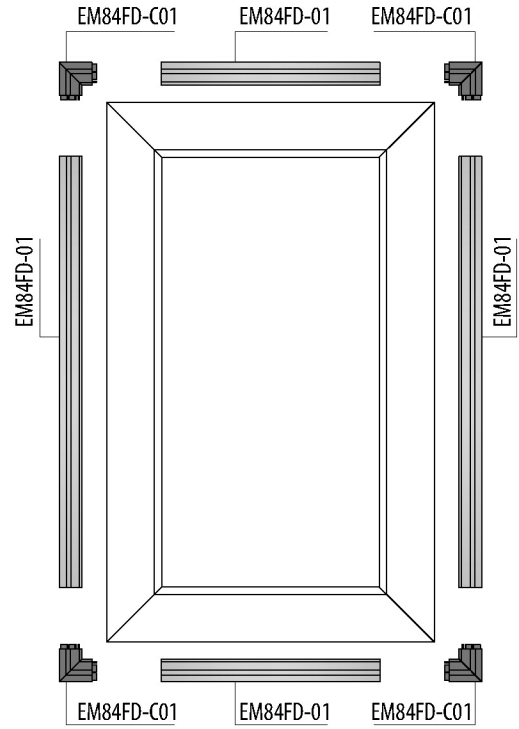
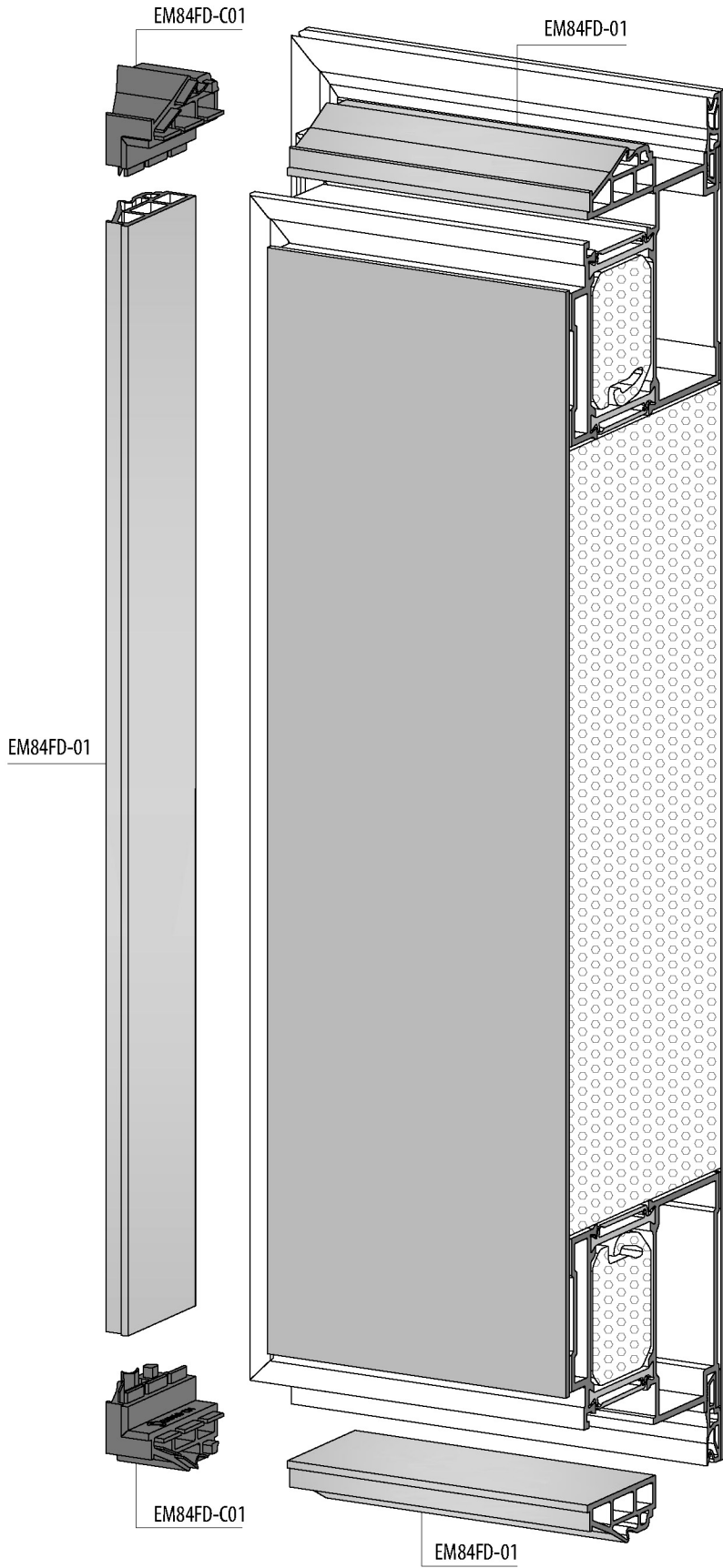
SEMI PANEL DOOR / YARI PANEL KAPI  
OUTWARD / DIŐA AÇILIR

SEMI PANEL ASSEMBLY / YARI PANEL MONTAJI

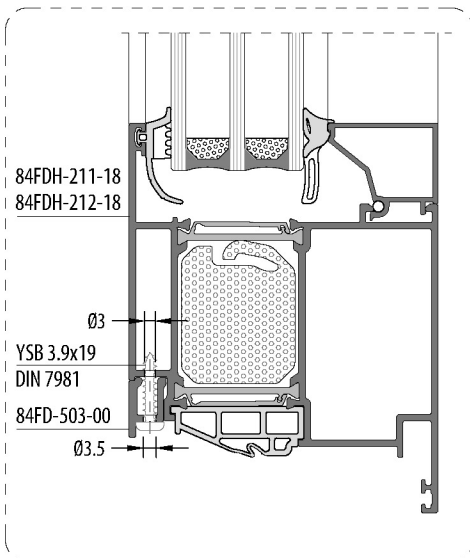
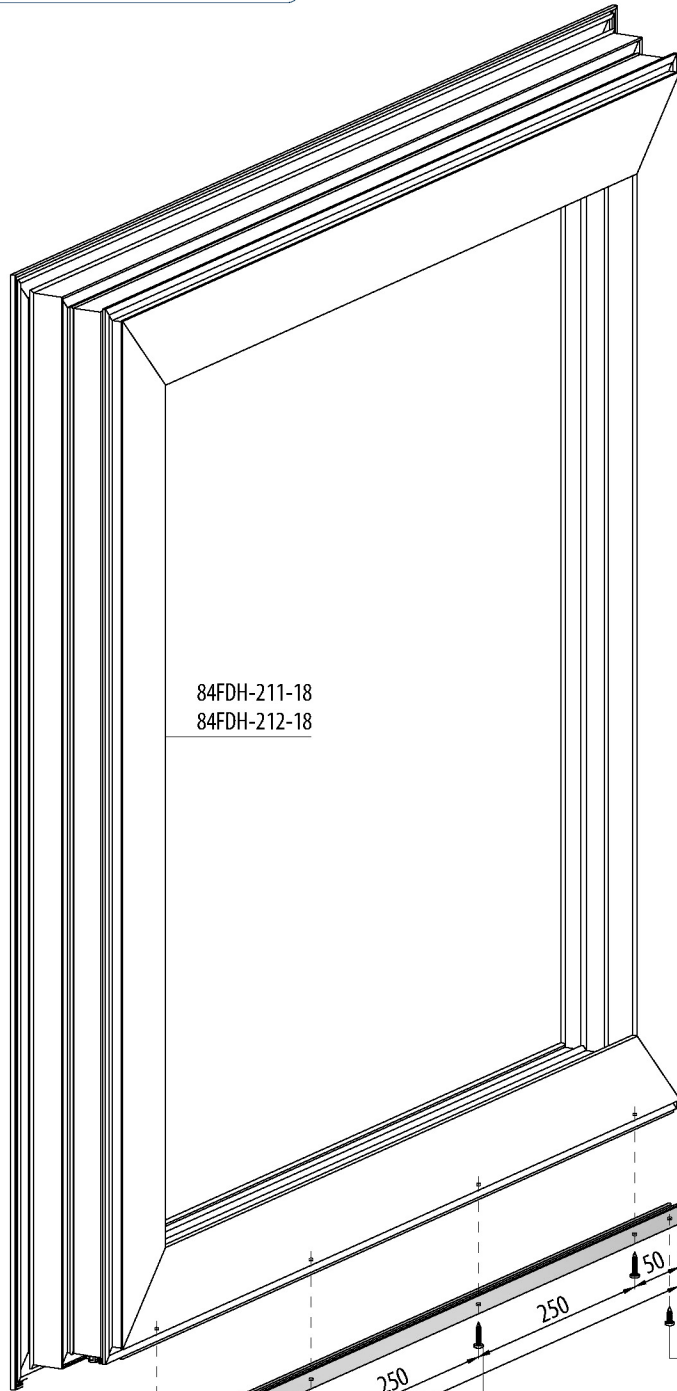
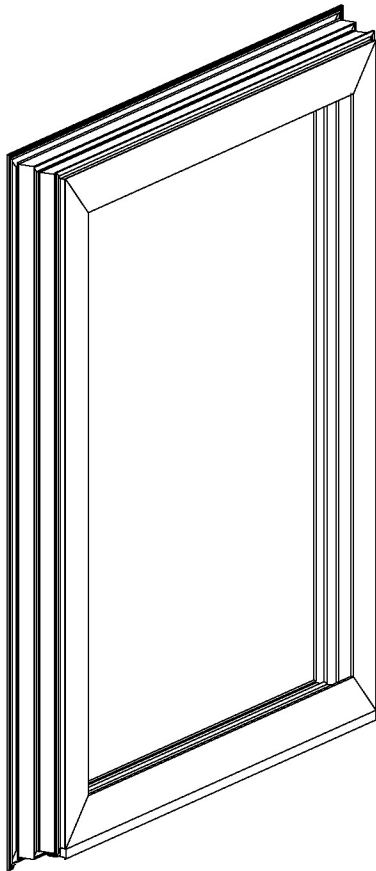


**CENTRAL GASKET CORNER ASSEMBLY / TOZLUK FİTİLİ KÖŞE MONTAJI**

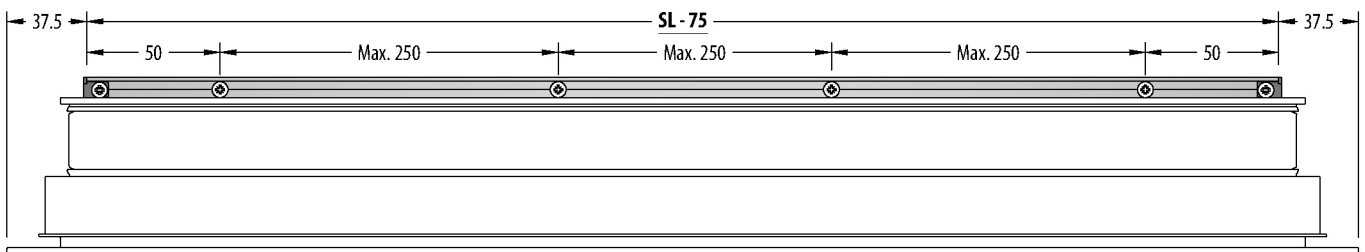
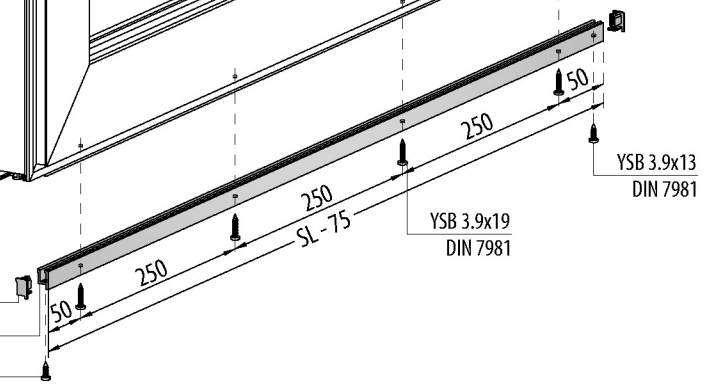
<b>ENJECTION CORNER</b> ENJEKSİYON KÖŞE	<b>EM84FD-C01</b> 
--	---



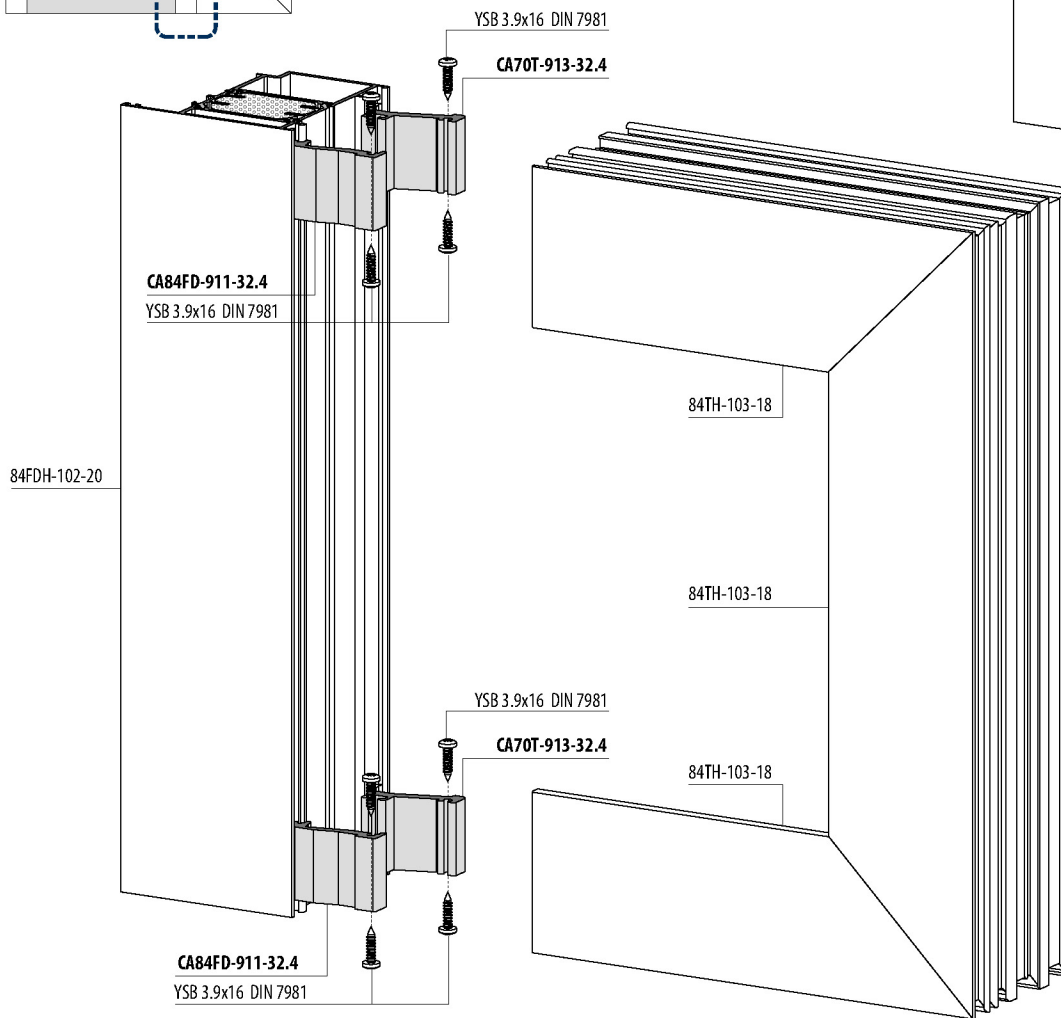
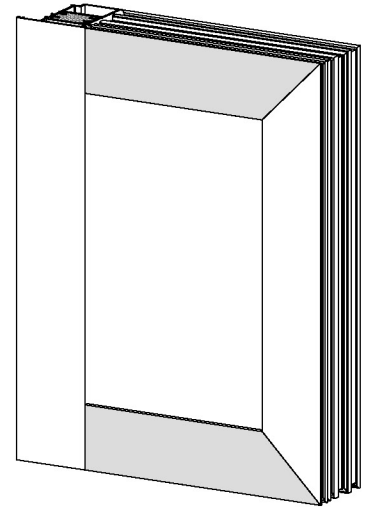
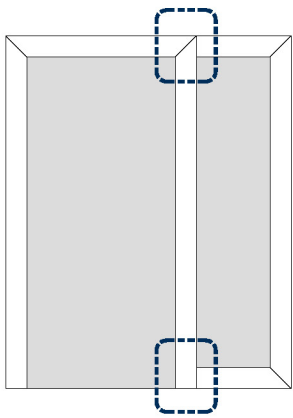
**DROPPER ASSEMBLY / DAMLALIK MONTAJI**



EM84FD-503  
84FD-503-00  
YSB 3.9x13  
DIN 7981

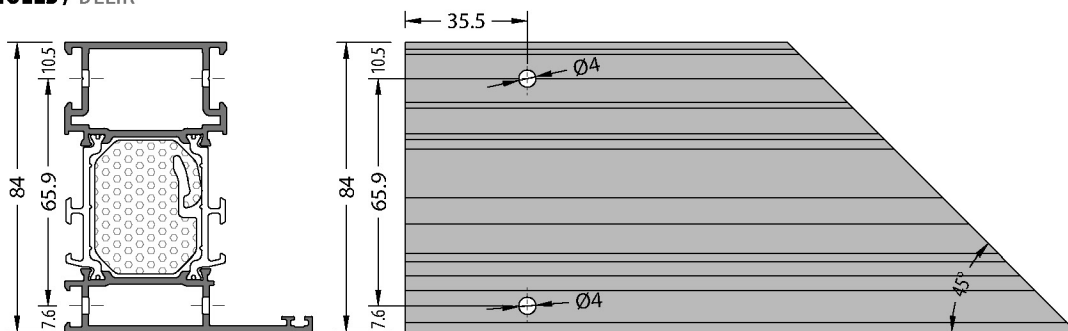


**SIDE LIGHT PROFILE ASSEMBLY / YAN SABİT PROFİL MONTAJI**

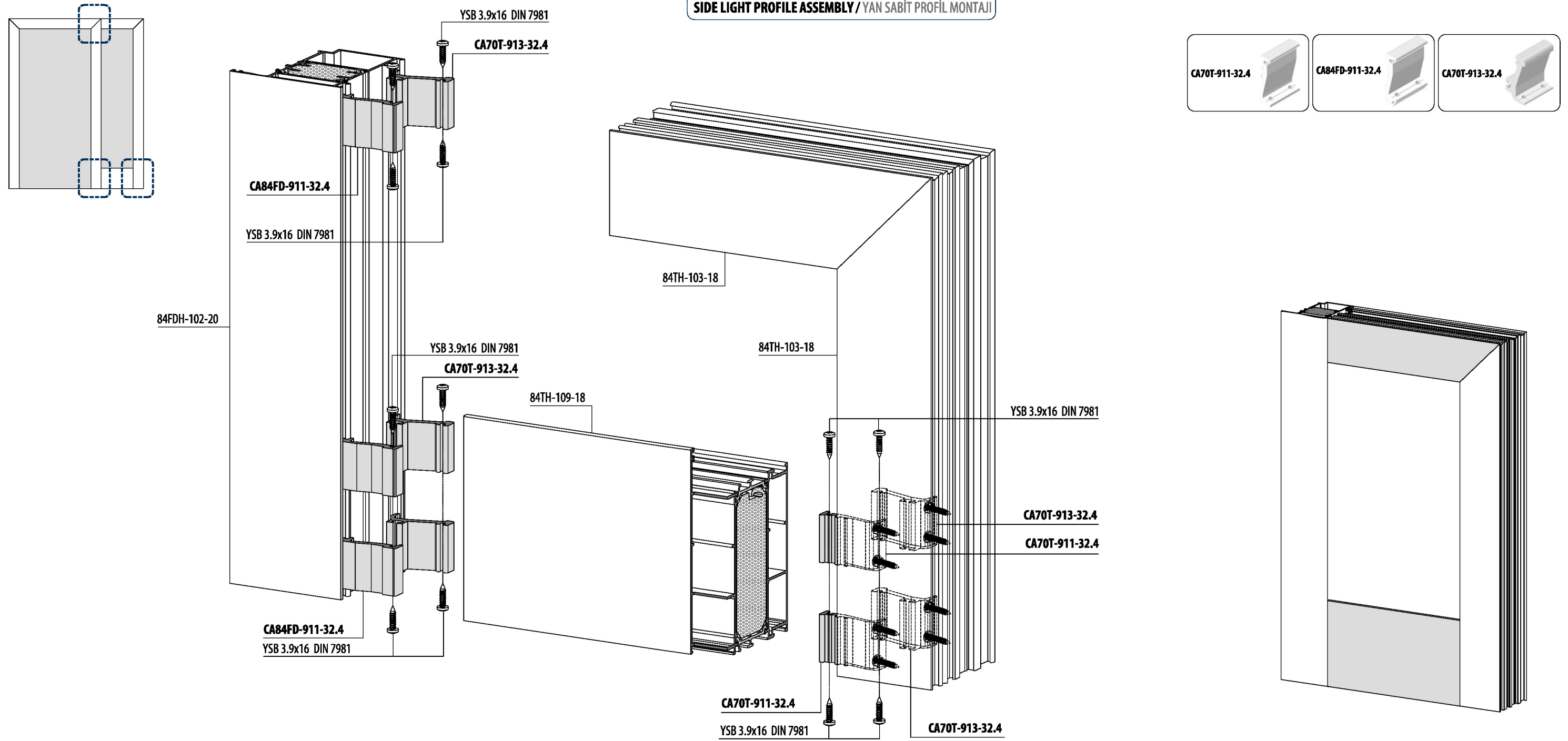


**HOLES / DELİK**

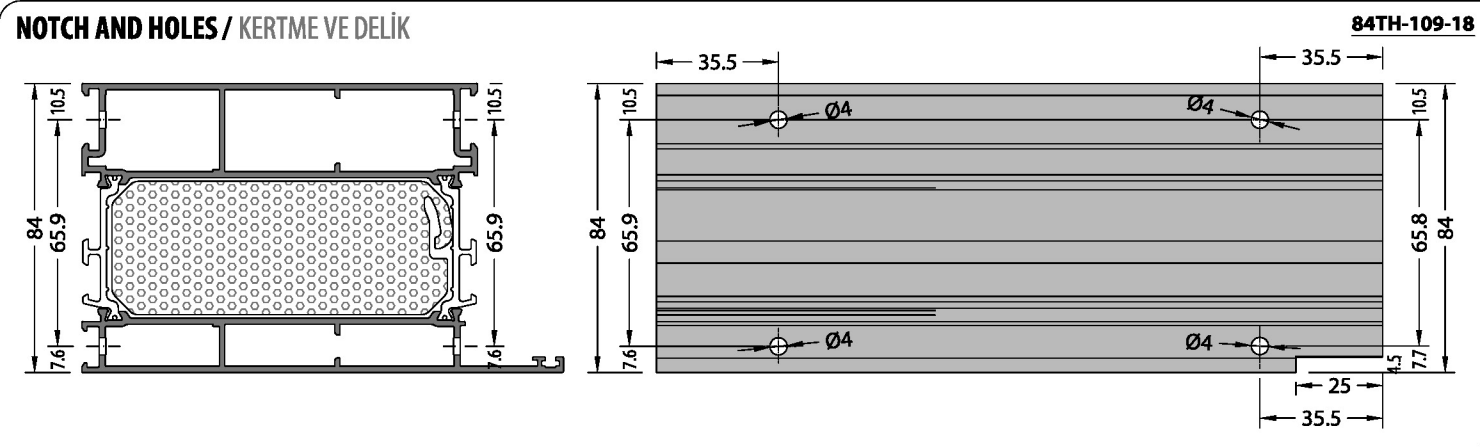
**84TH-103-18**



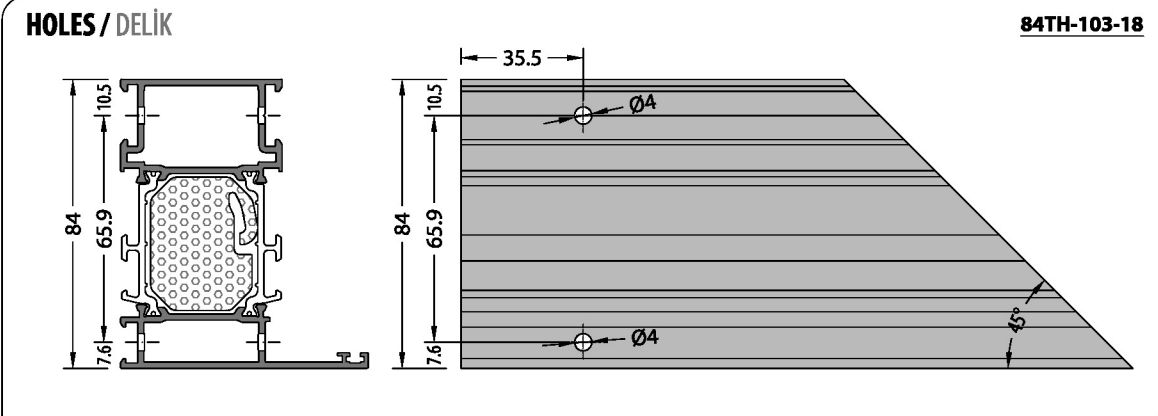
SIDE LIGHT PROFILE ASSEMBLY / YAN SABİT PROFİL MONTAJI



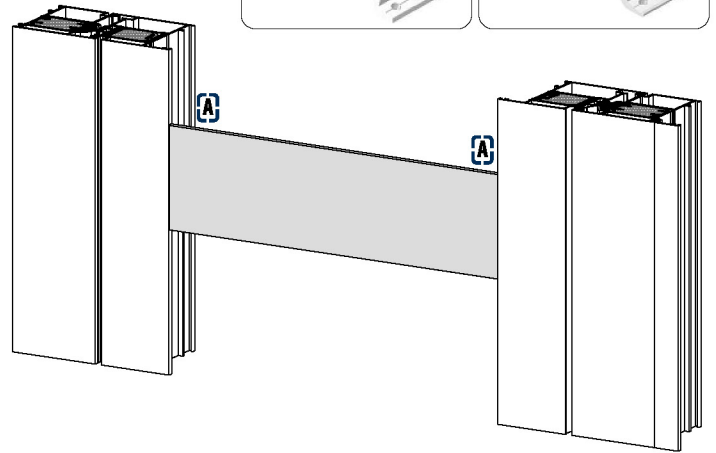
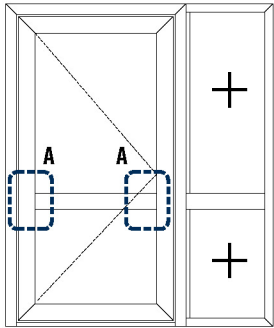
NOTCH AND HOLES / KERTME VE DELİK



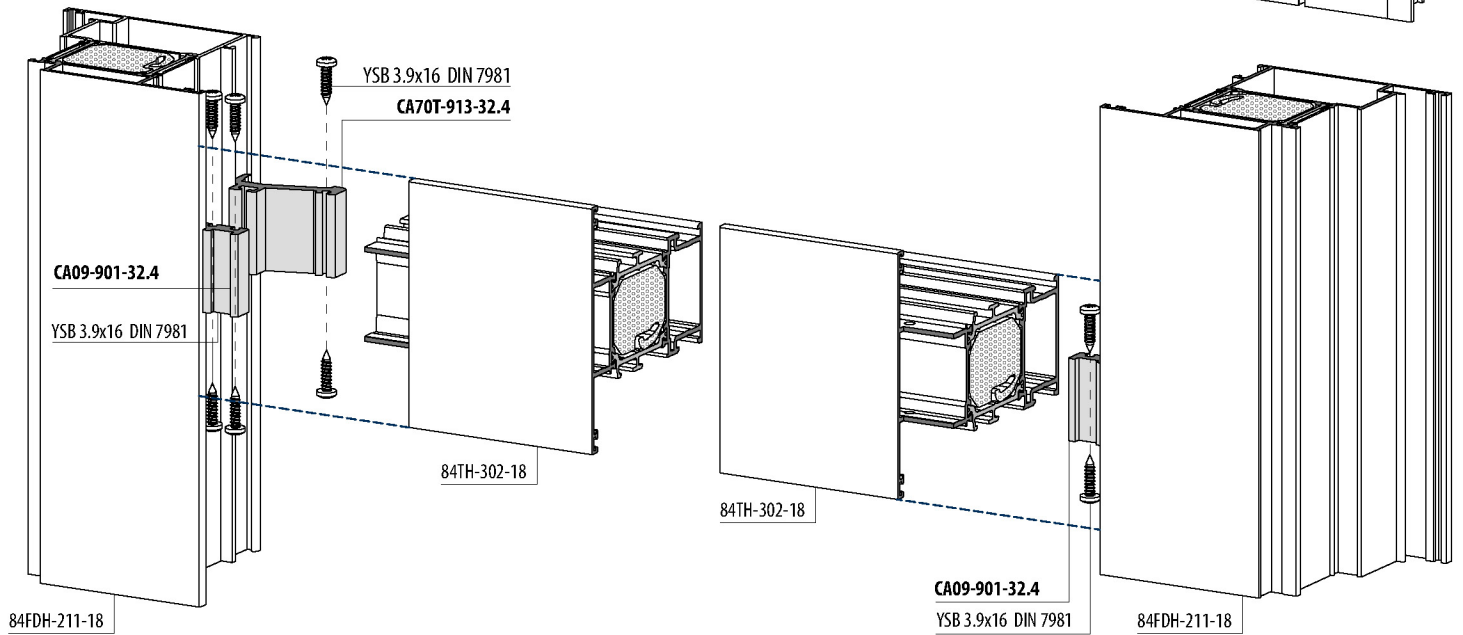
HOLES / DELİK



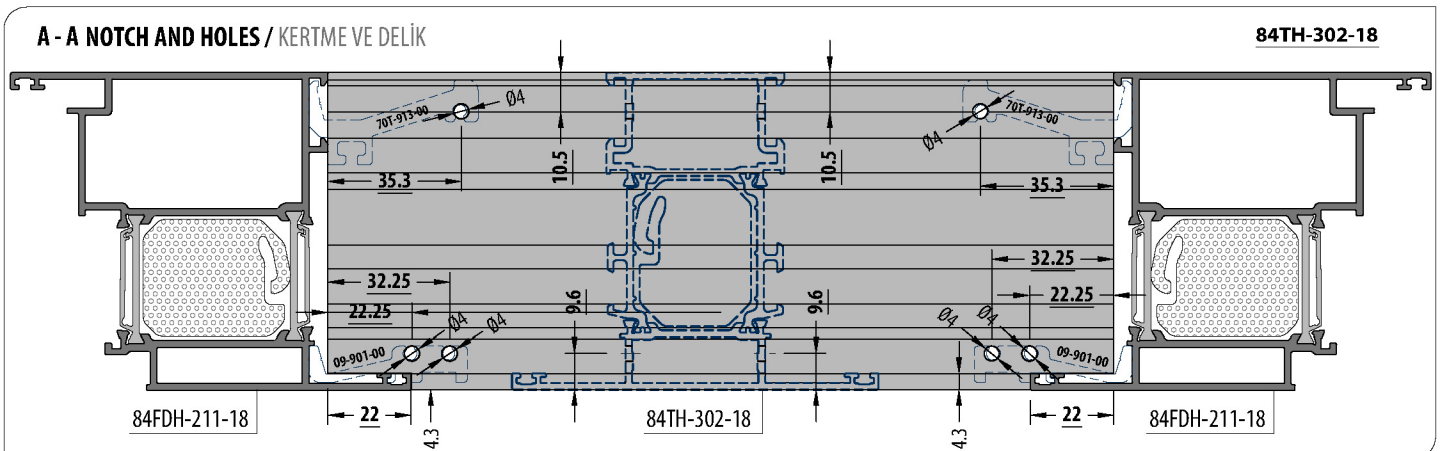
### MULLION ASSEMBLY / ORTA KAYIT UYGULAMA



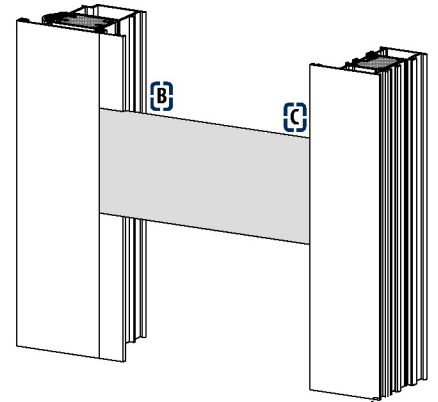
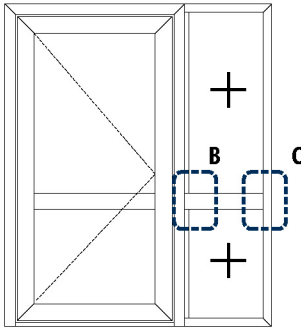
### A - A DETAIL / DETAYI



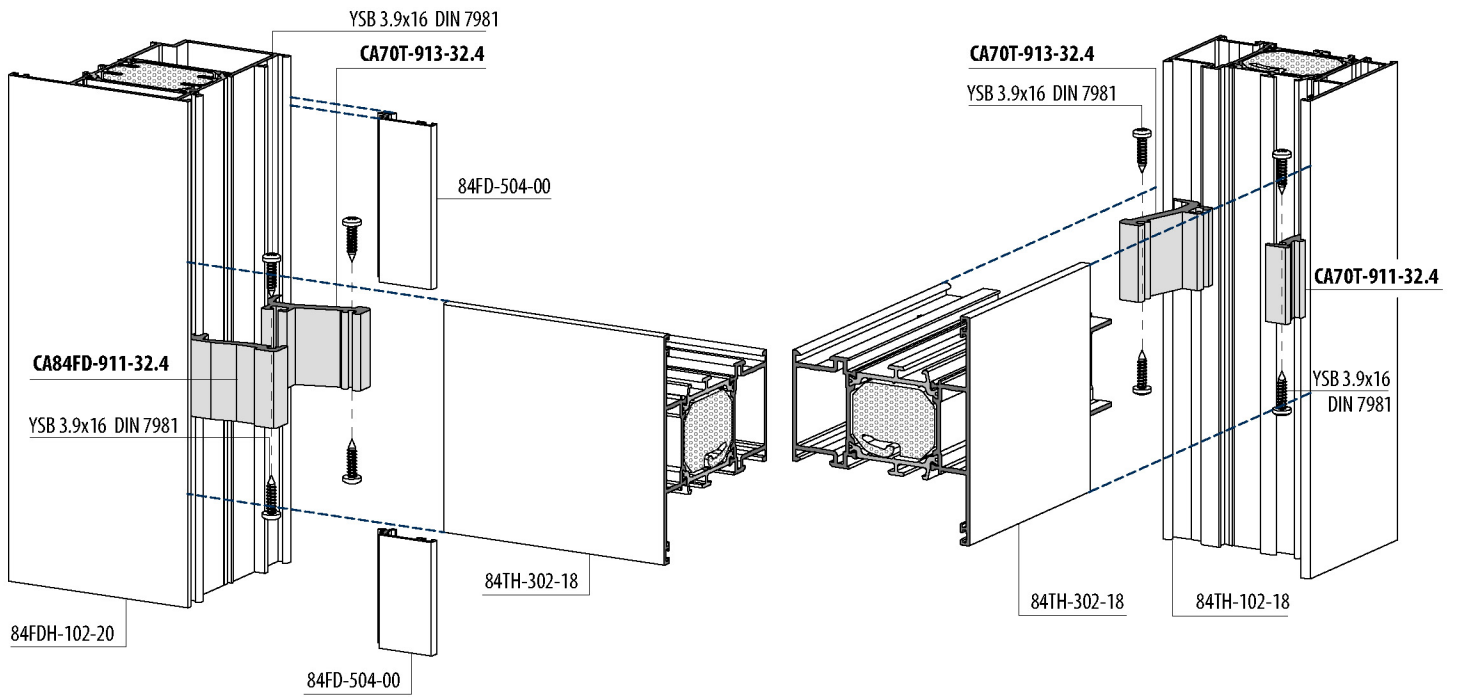
### A - A NOTCH AND HOLES / KERTME VE DELİK



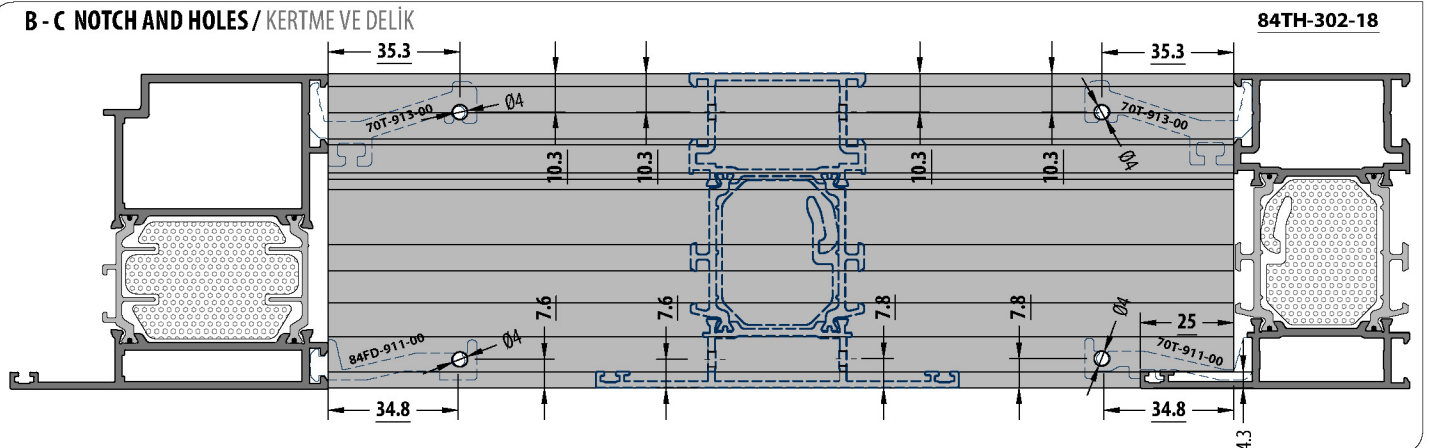
MULLION ASSEMBLY / ORTA KAYIT UYGULAMA



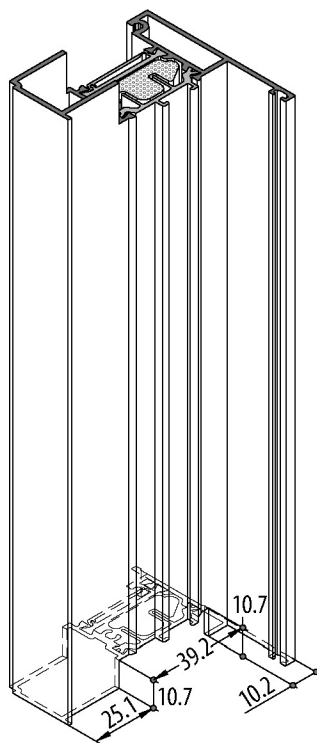
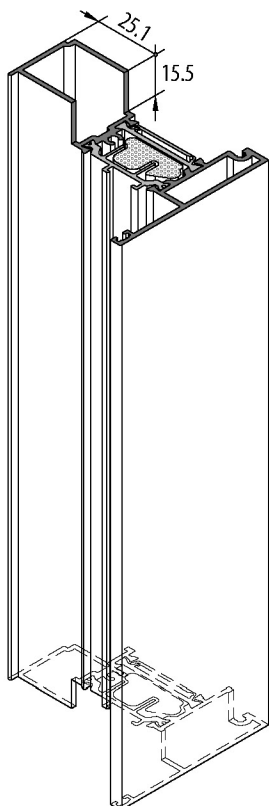
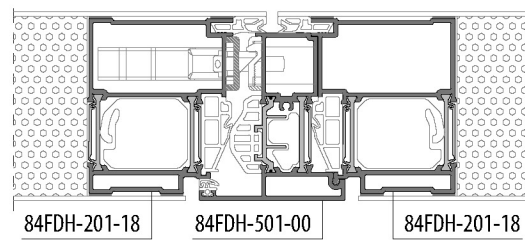
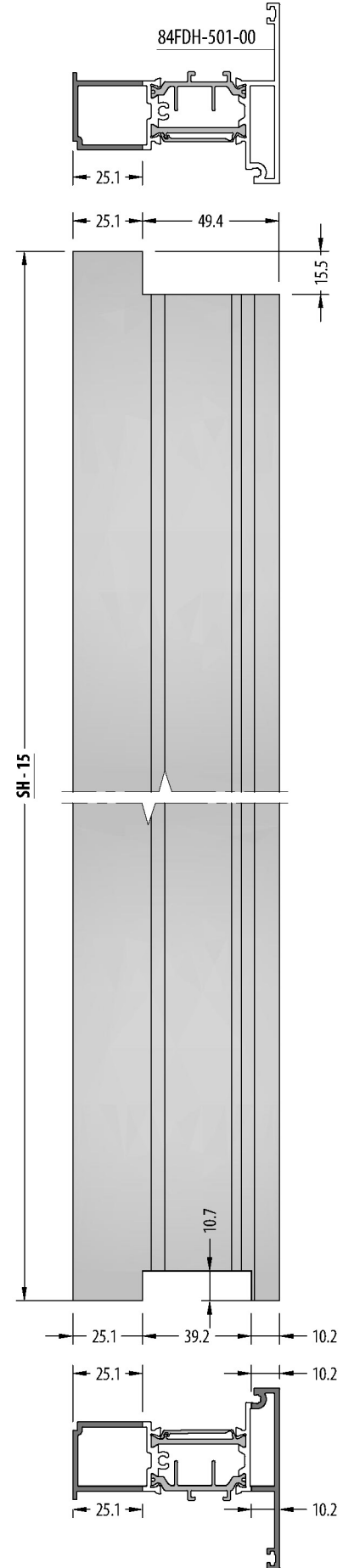
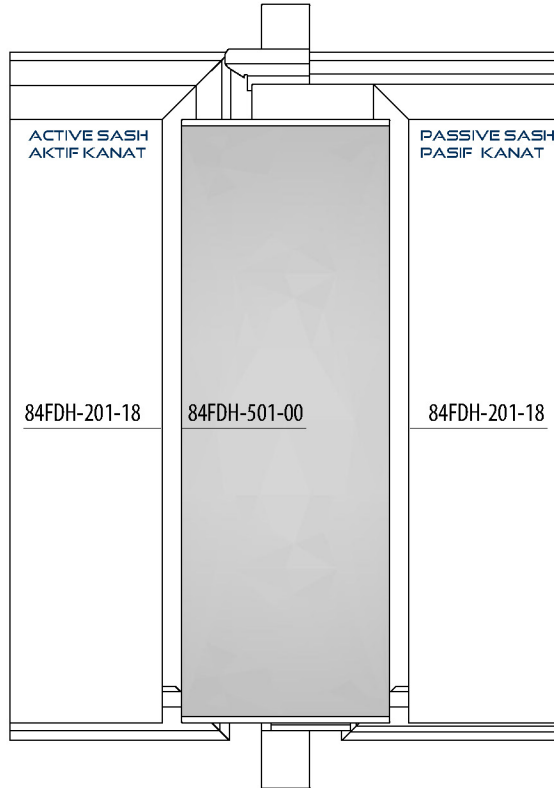
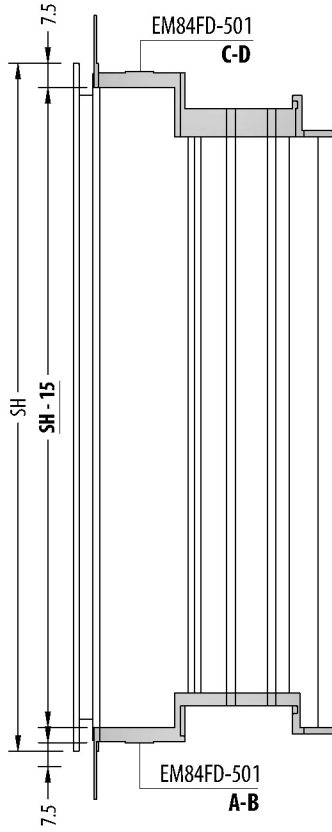
B - C DETAIL / DETAYI



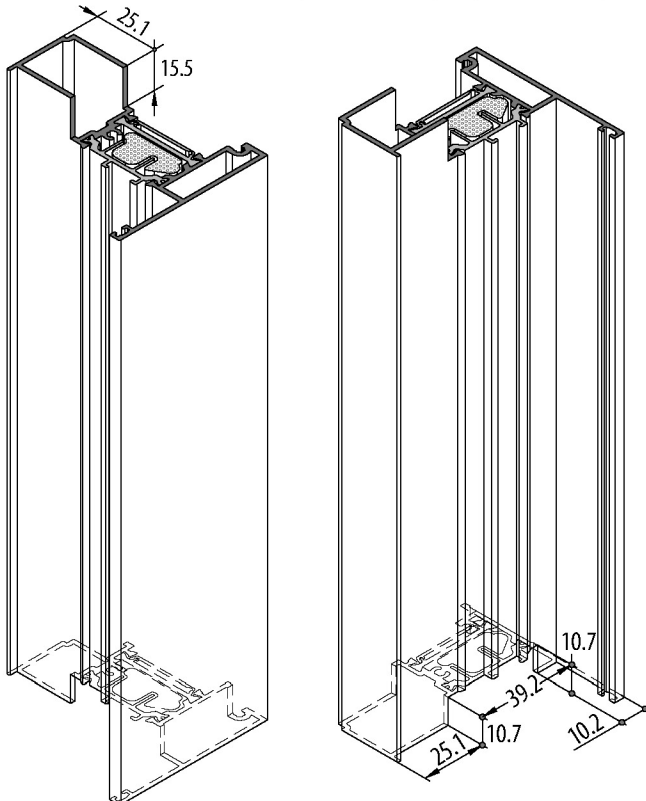
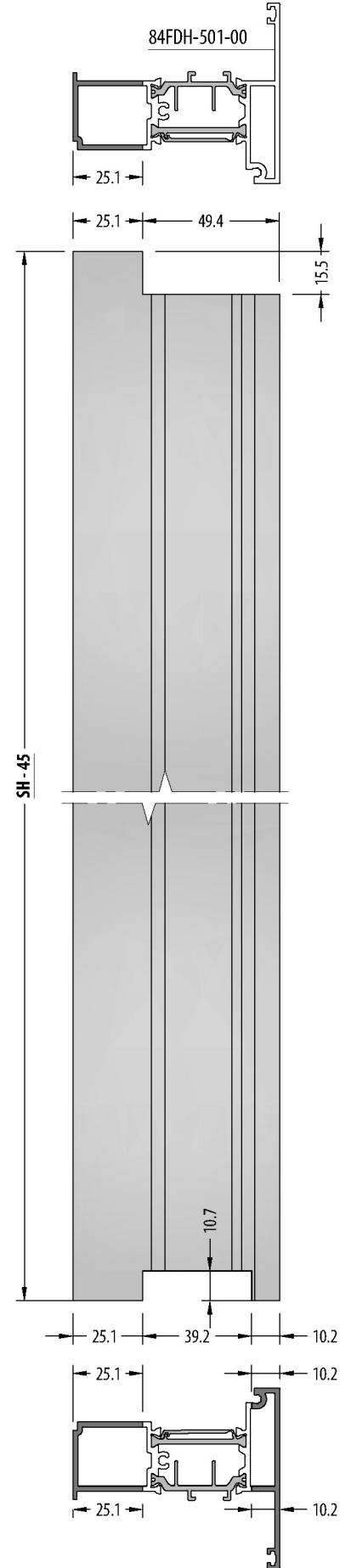
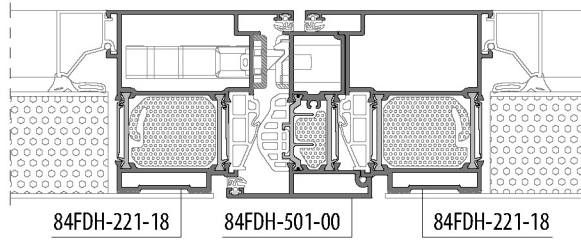
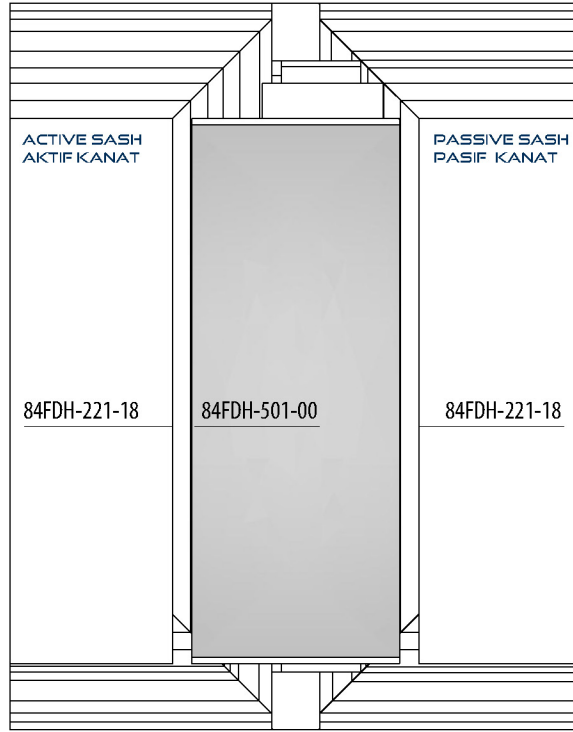
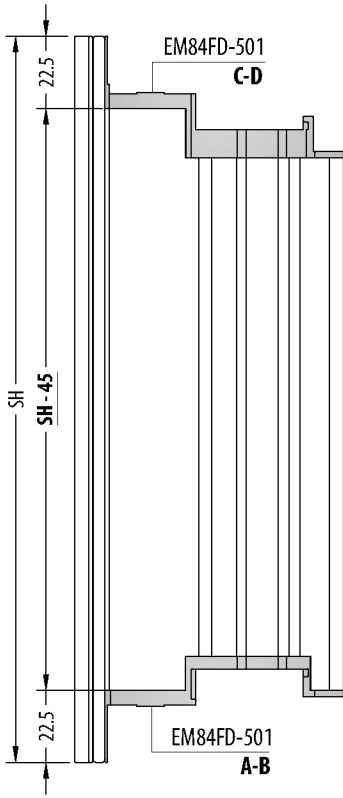
B - C NOTCH AND HOLES / KERTME VE DELİK

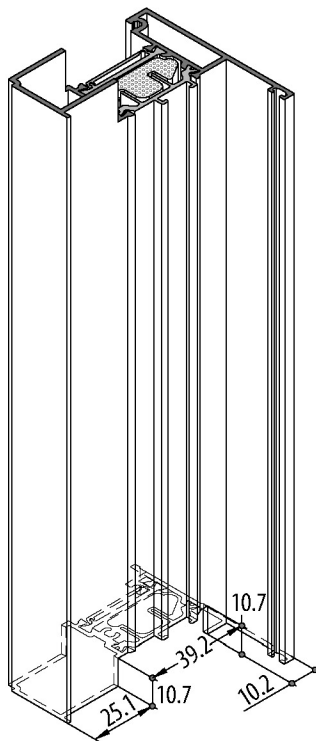
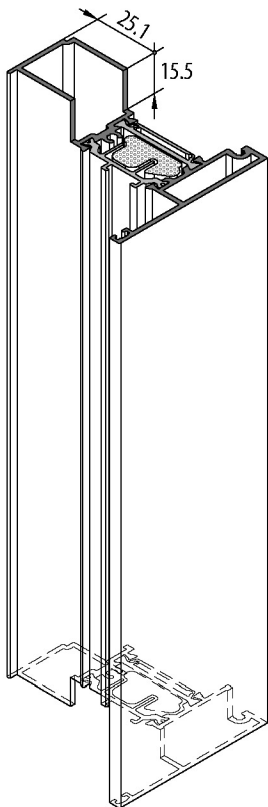
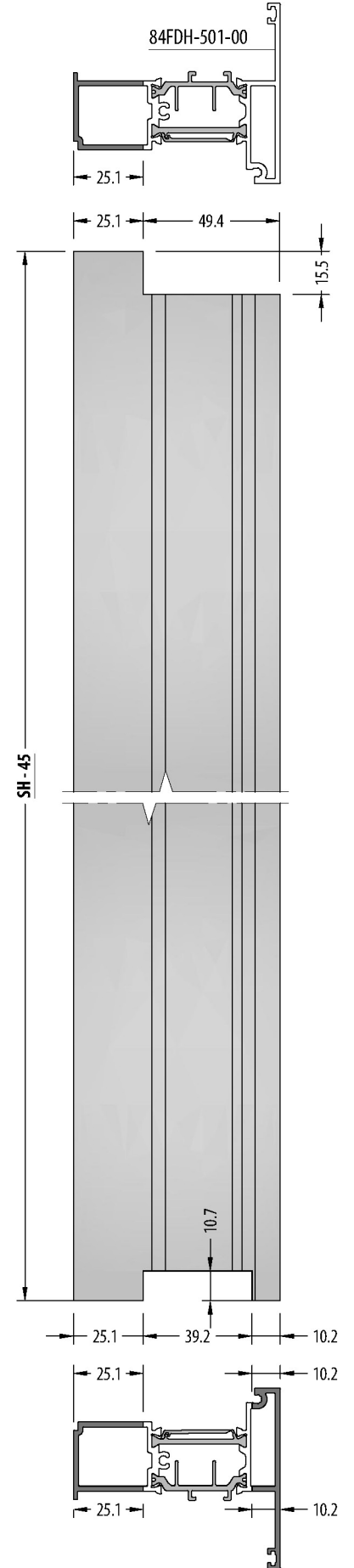
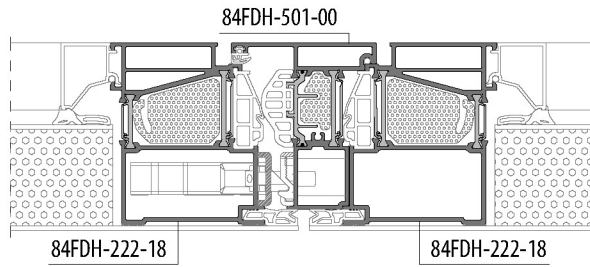
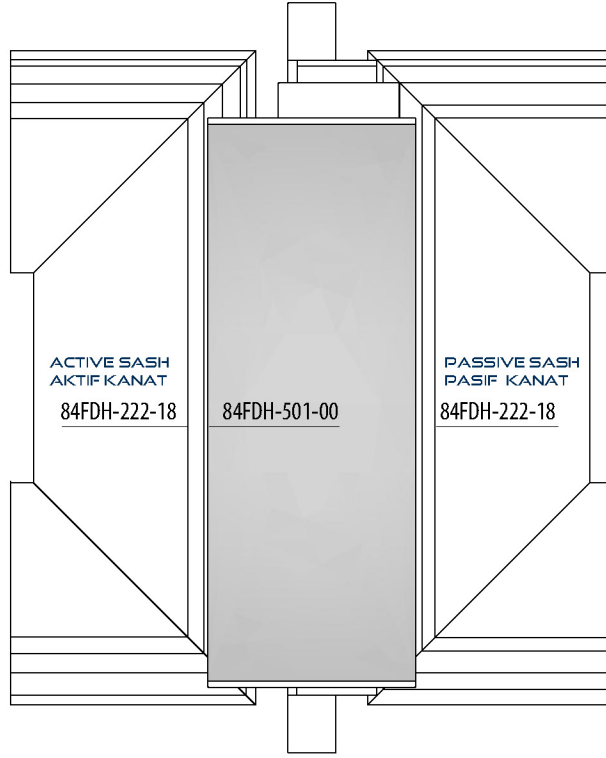
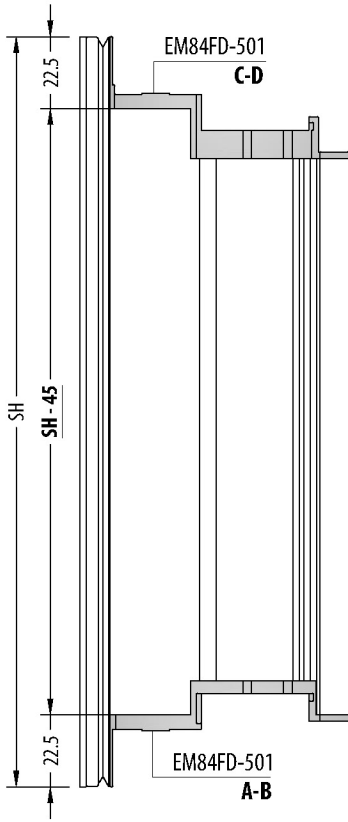


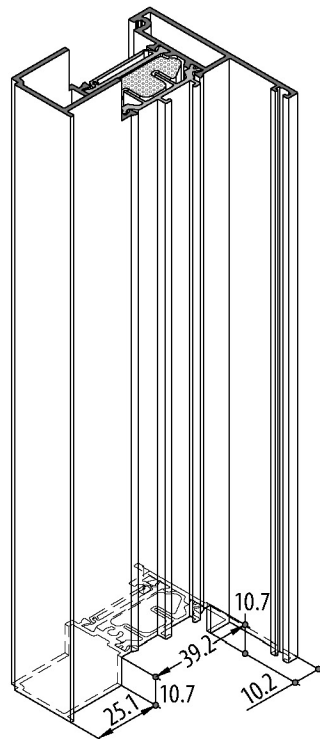
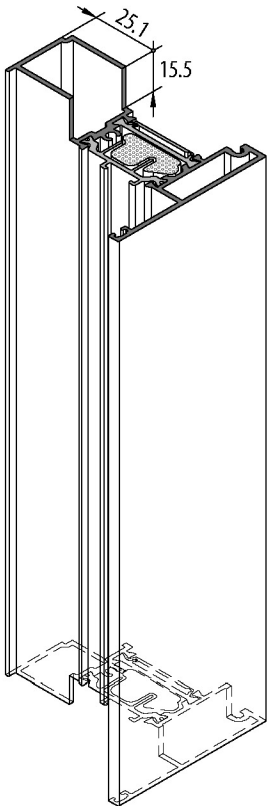
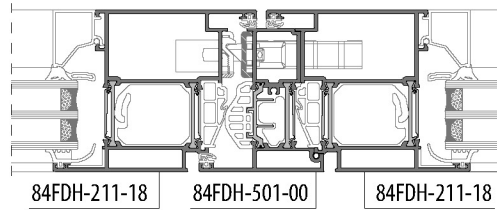
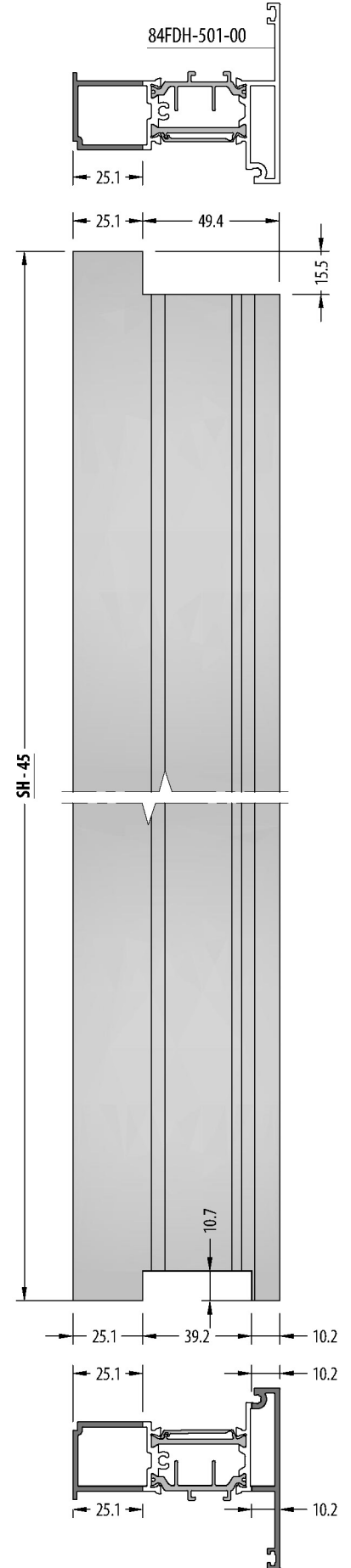
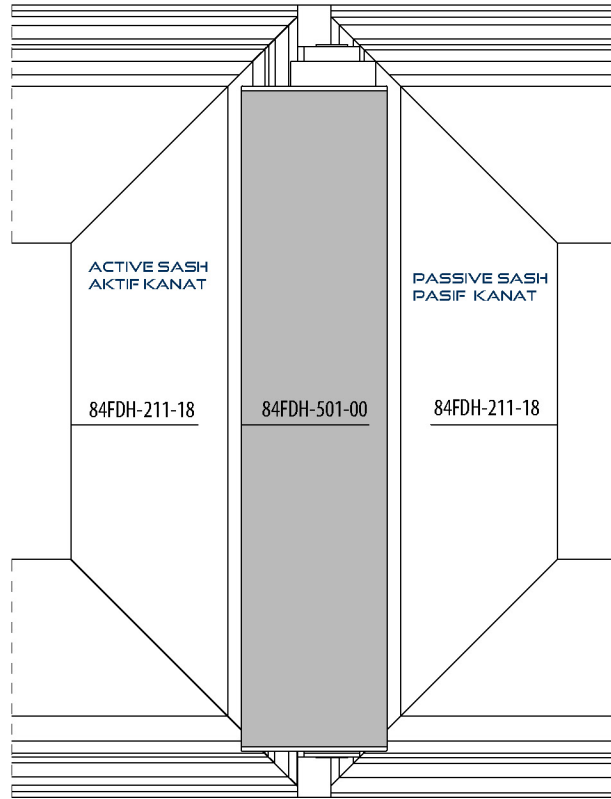
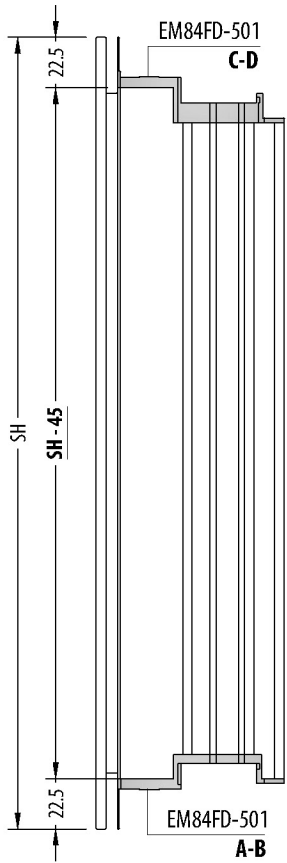
**PANEL DOOR DOUBLE SASH ADAPTER**  
PANEL KAPI ÇİFT KANAT ADPTÖRÜ

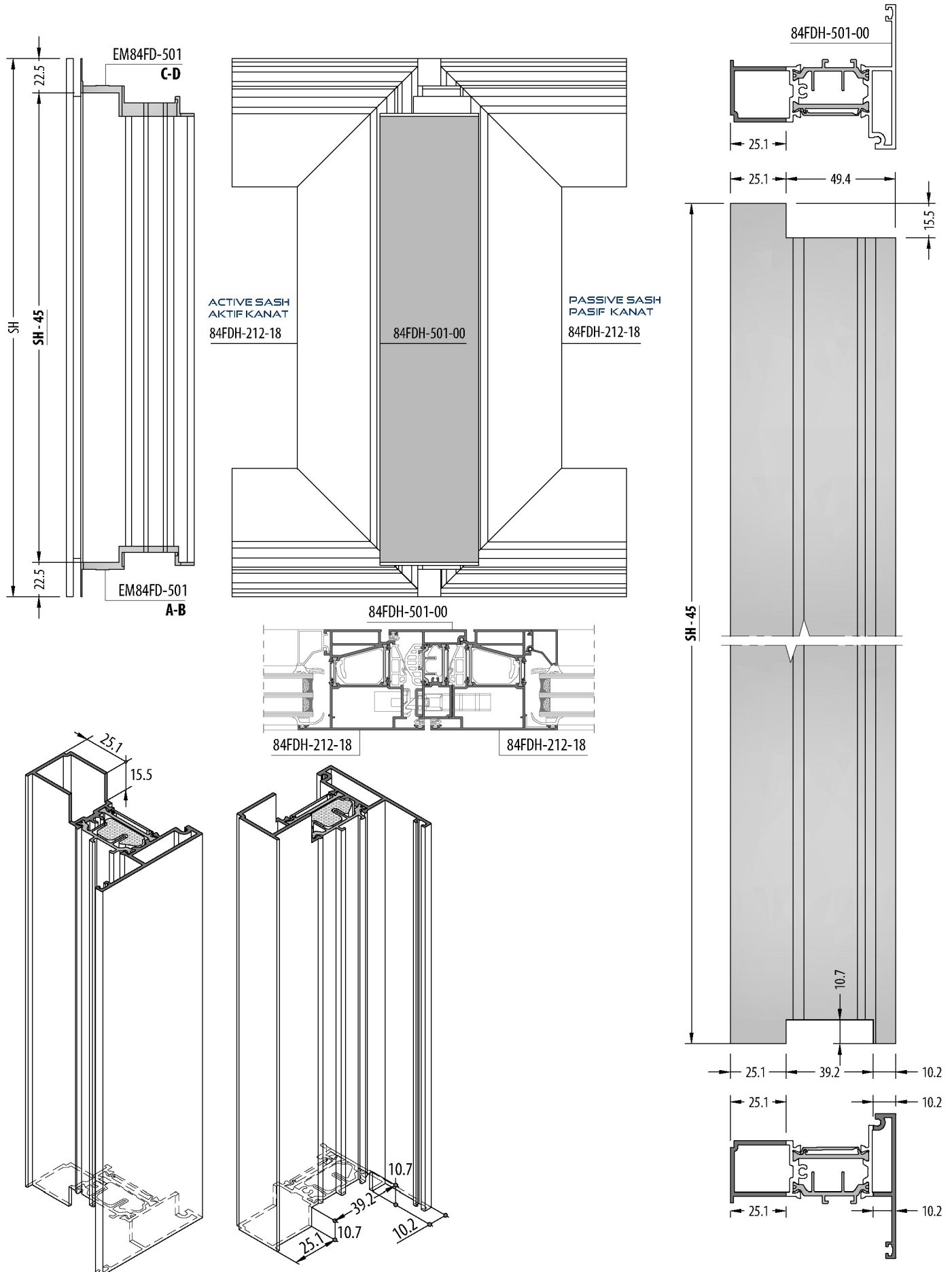


**PANEL DOOR DOUBLE SASH ADAPTER**  
**PANEL KAPI ÇİFT KANAT ADPTÖRÜ**

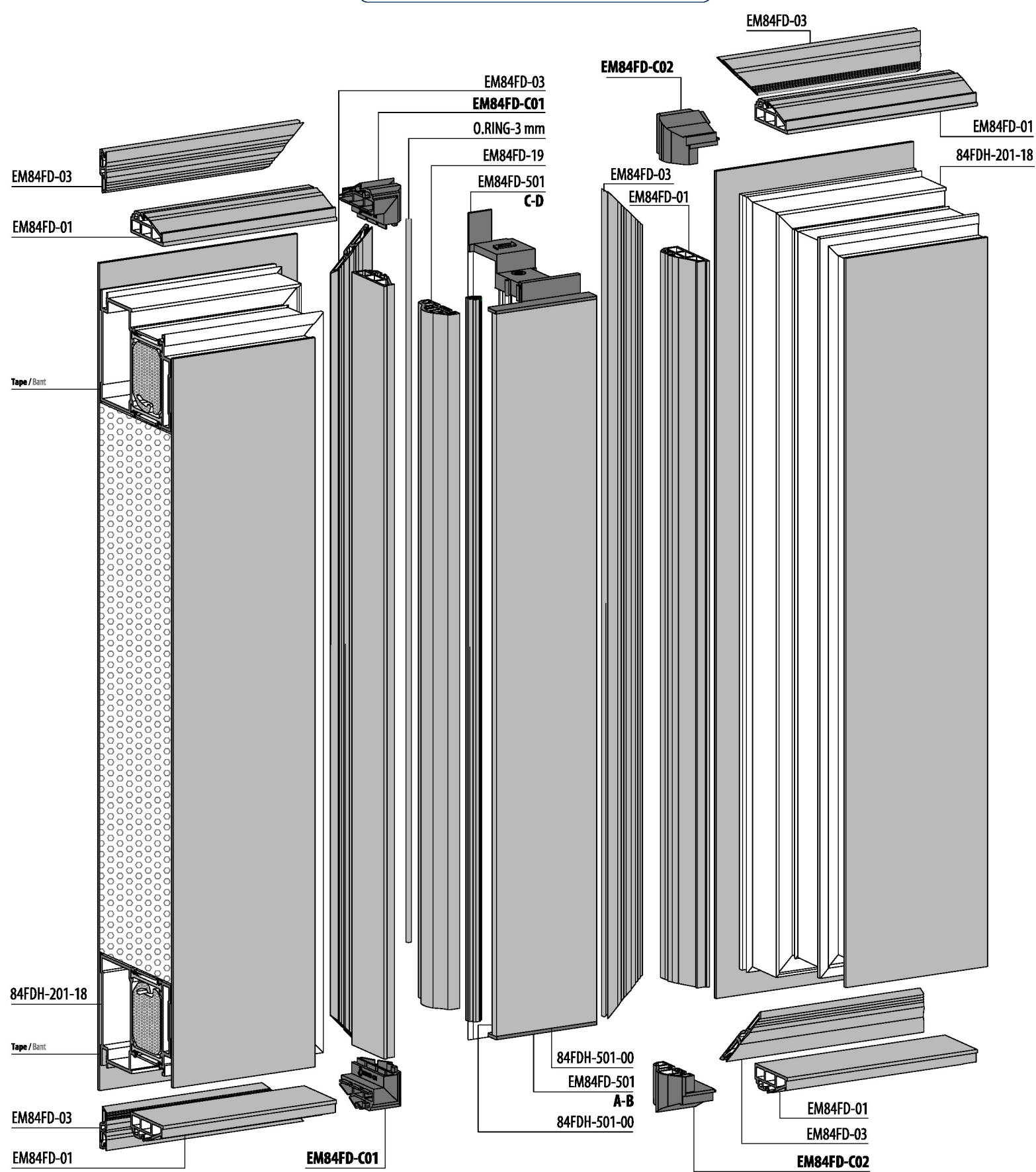
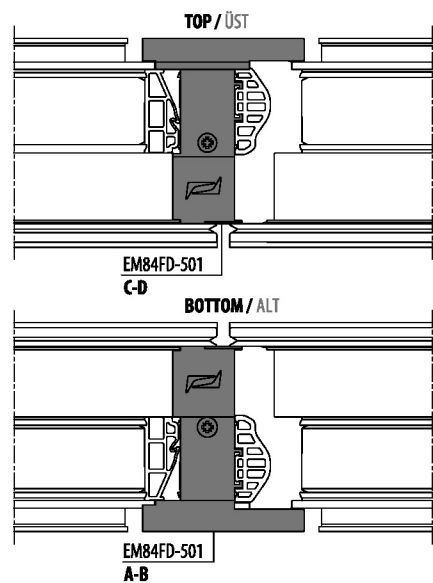
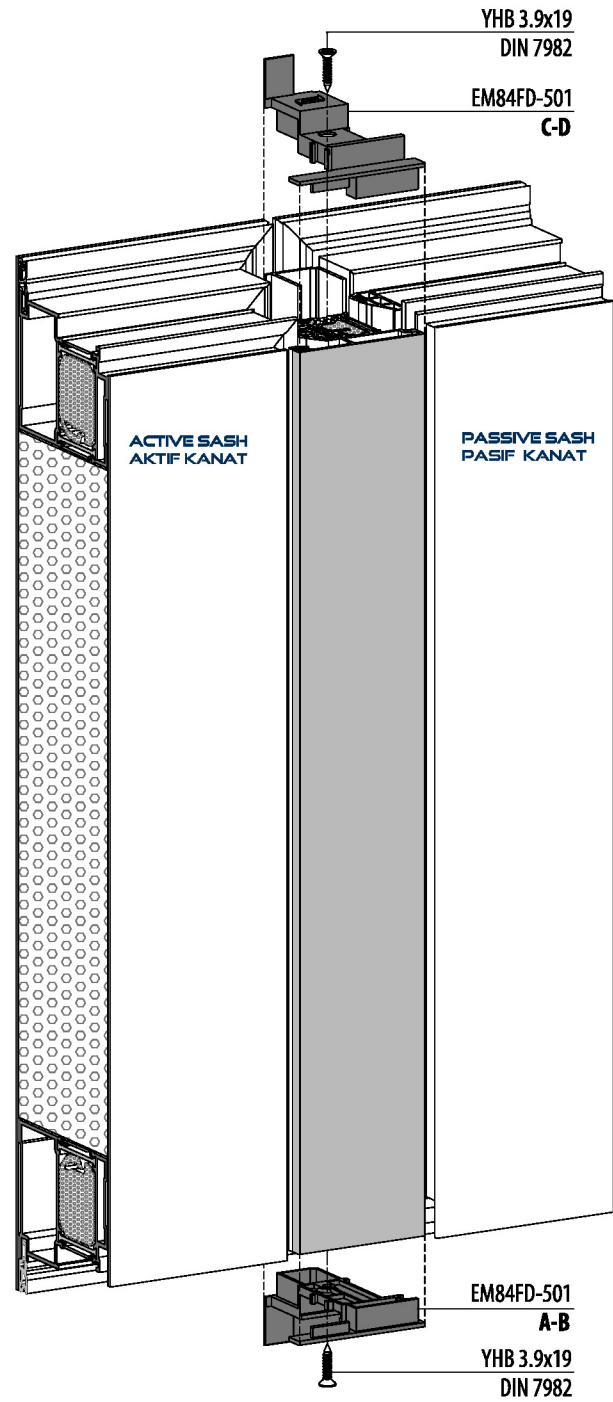








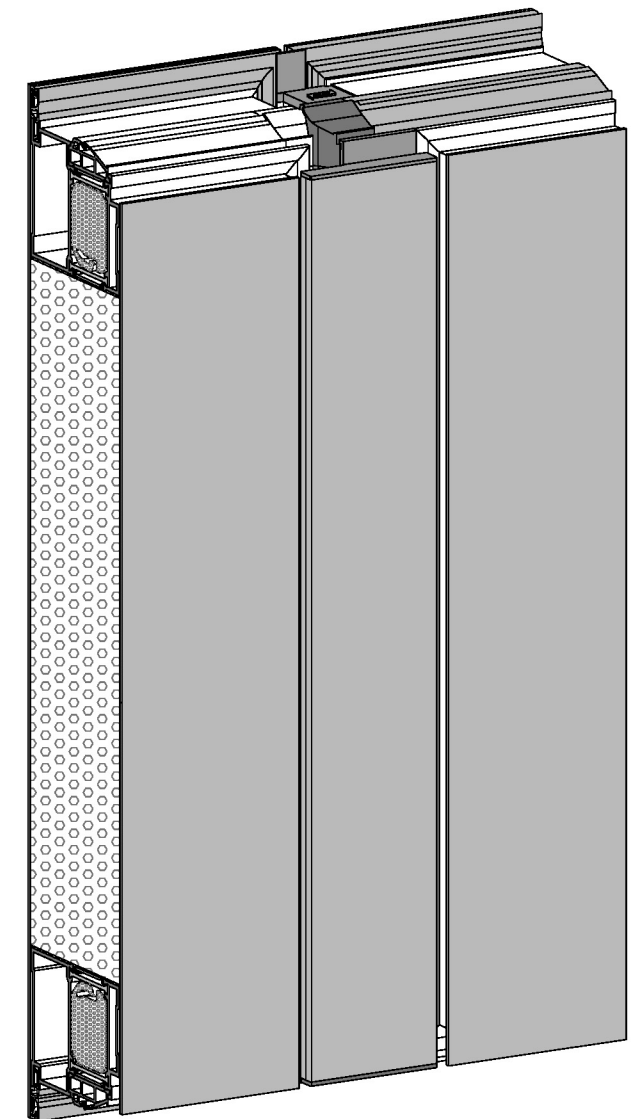
**DOUBLE SASH ASSEMBLY / ÇİFT KANAT MONTAJI**



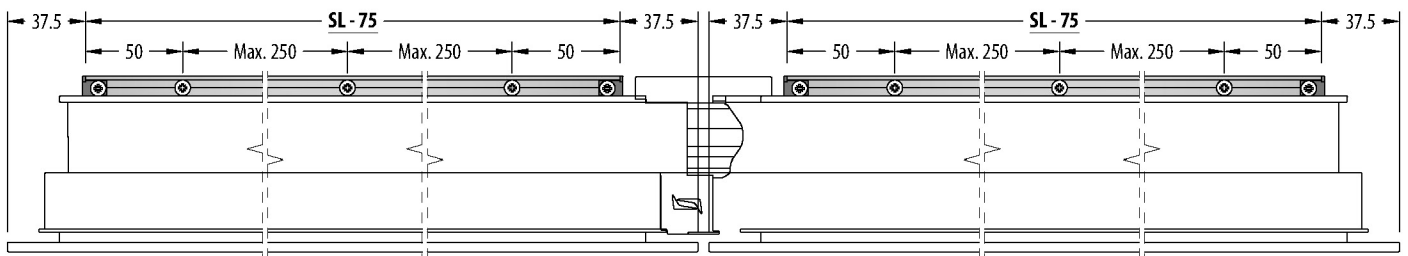
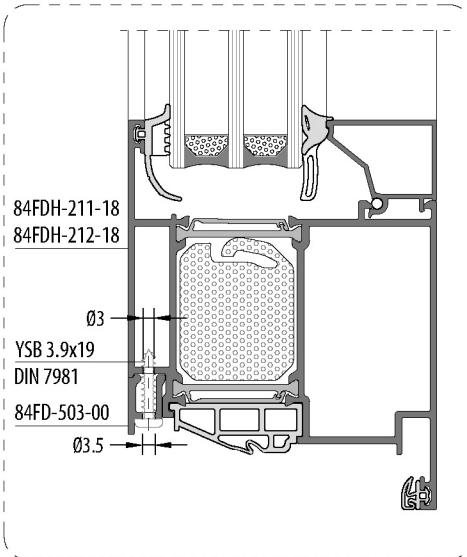
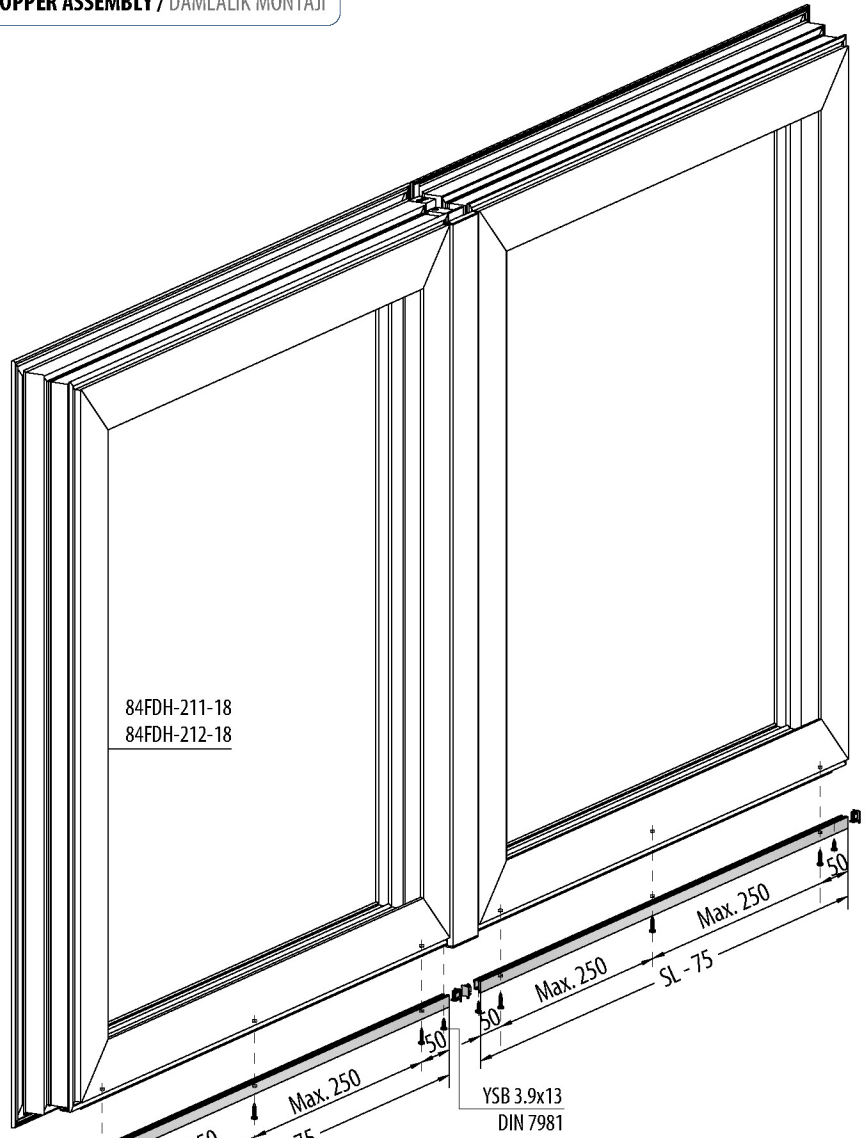
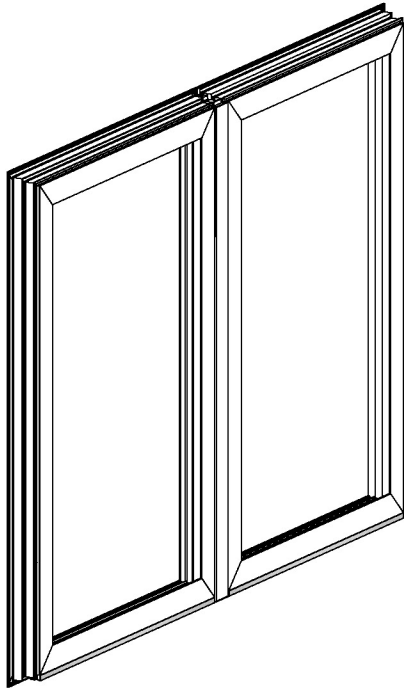
ADAPTER CAP ADAPTÖR KAPAĞI	EM84FD-501 A-B	
	EM84FD-501 C-D	

ENJECTION CORNER ENJEKSİYON KÖŞE	EM84FD-C01	
-------------------------------------	------------	--

ENJECTION CORNER ENJEKSİYON KÖŞE	EM84FD-C02	
-------------------------------------	------------	--



**DROPPER ASSEMBLY / DAMLALIK MONTAJI**



**002.84.7511**  
**DR HAHN ROLLENBAND**  
**DOOR HINGE 3D**  
 ROLLENBAND  
 KAPI MENTEŞESİ E6/EV1



**002.27.6300**  
**3D DOOR HINGE**  
 HN-6300 3'LU  
 KAPI MENTEŞESİ